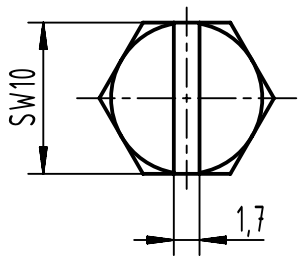
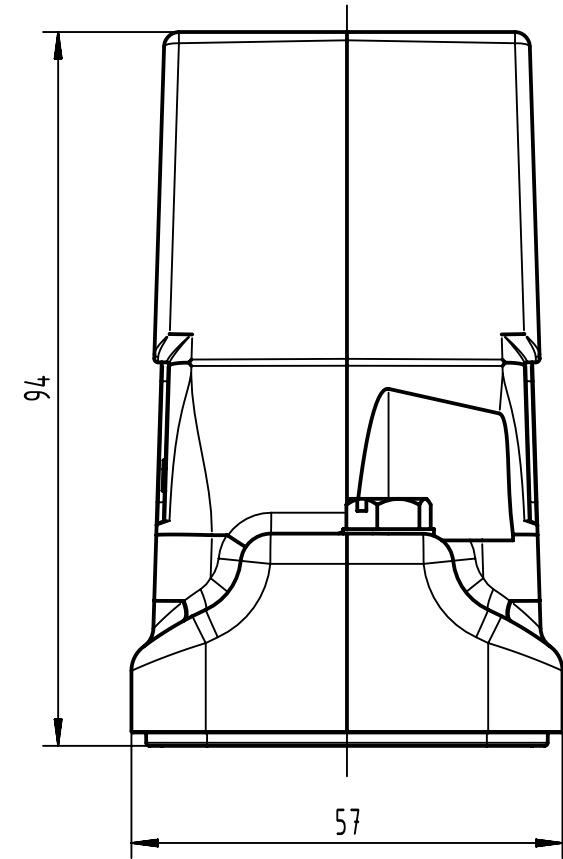
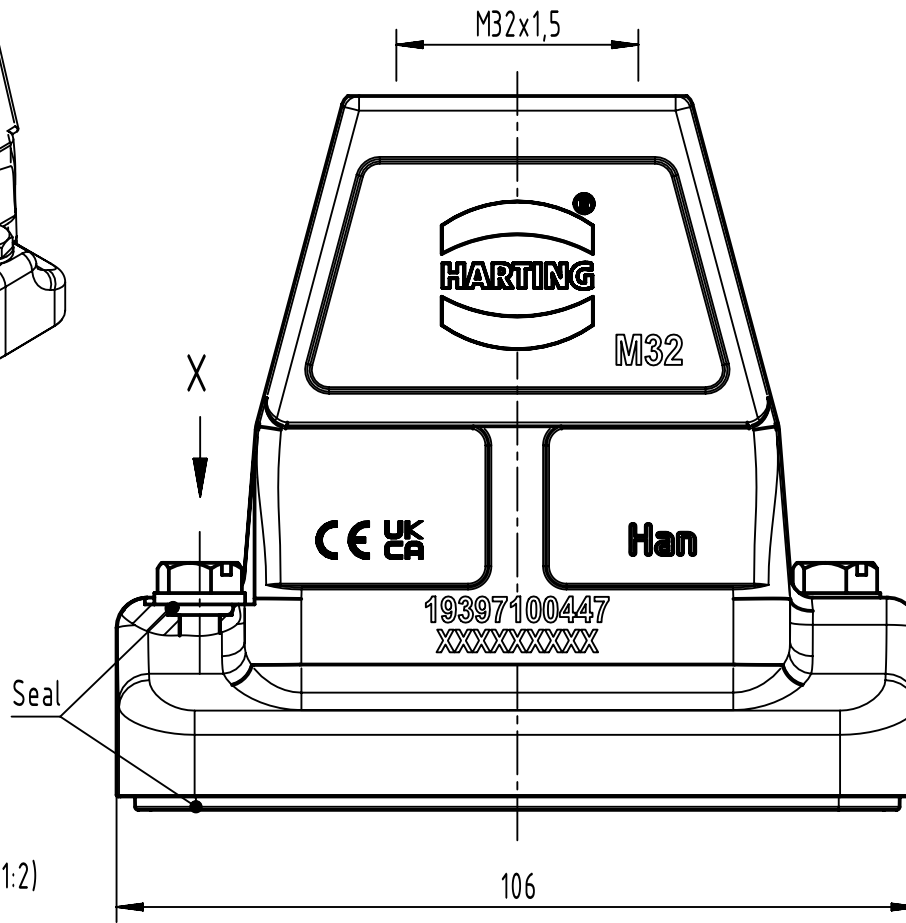
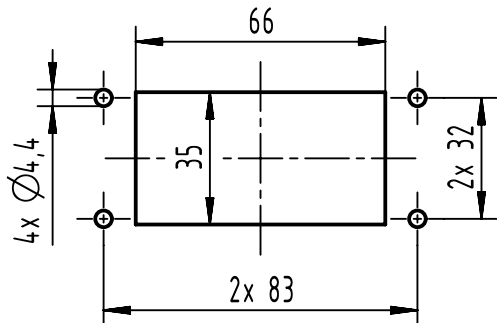


X (2:1)



Panel cut out (1:2)



	All Dimensions in mm Original Size DIN A4		Scale 1:1	Free size tol.		Ref.
			Created by SHENGJ	Inspected by WANGSTE	Standardisation ROEBEN	Sub.
All rights reserved Department EL PD		Title Han 10HP Direct/M-HTE-M32		Date 2024-03-01	State Final Release	
HARTING (Zhuhai) Manufacturing Co., Ltd. 519085 Zhuhai, China		Type TB	Number 19 39 710 0447		Doc-Key / ECM-Nr. 100663880/UGD/004/H 500000264685	
					Rev. H	Page 1/1