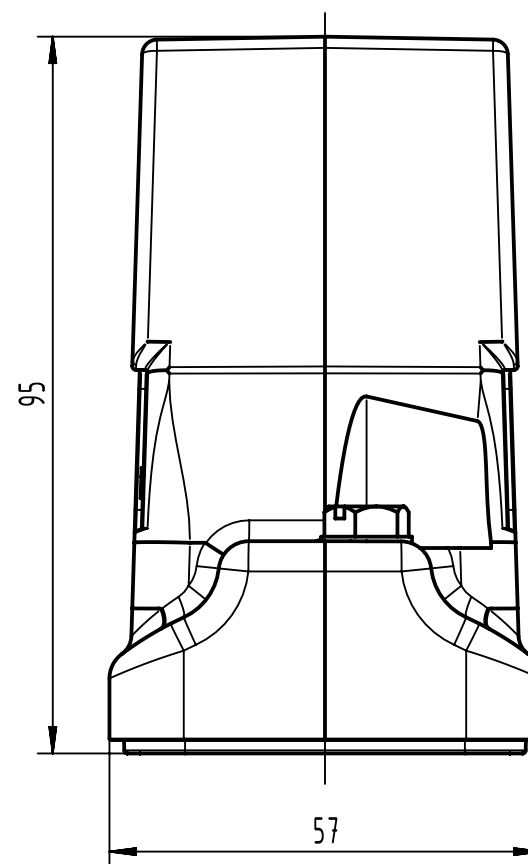
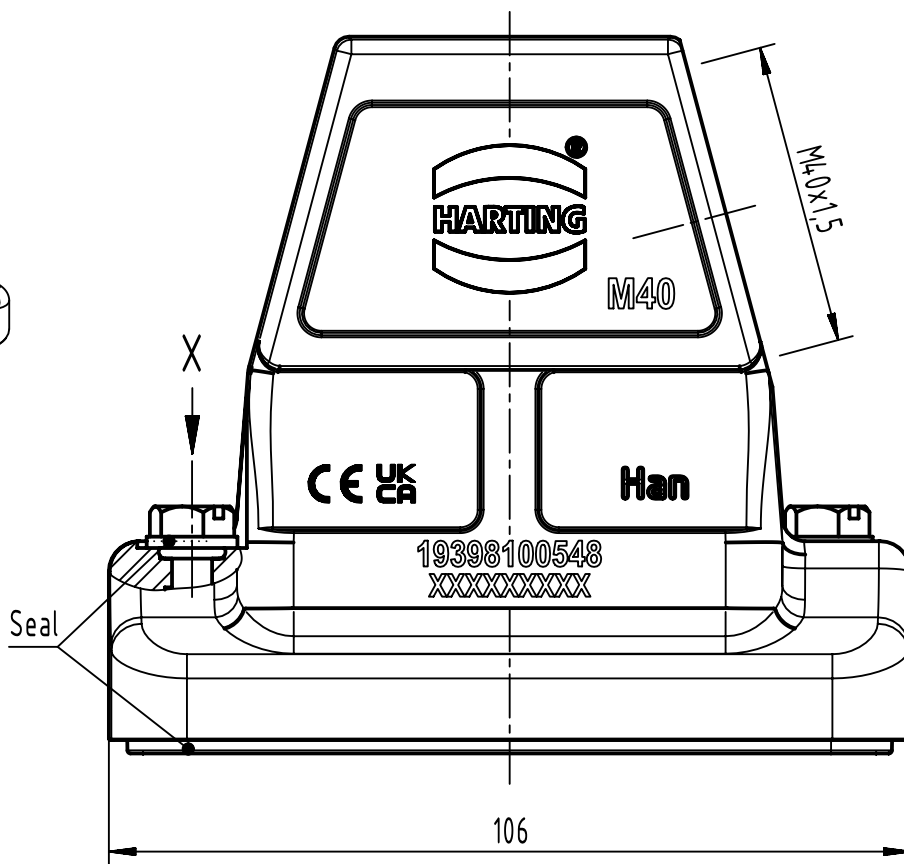
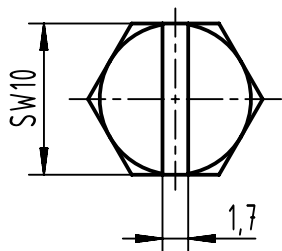
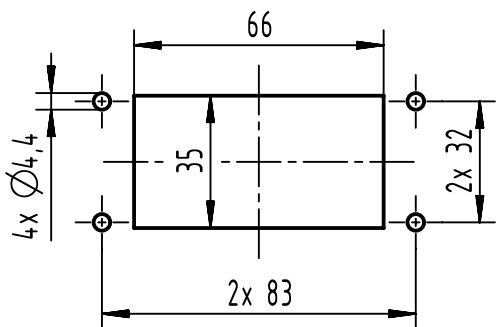


X (2:1)



Panel cut out (1:2)



	All rights reserved Department EL PD	All Dimensions in mm Original Size DIN A4		Scale 1:1	Free size tol.	Ref. Sub.
		Created by SHENGJ	Inspected by WANGSTE	Standardisation ROEBEN	Date 2024-03-01	State Final Release
HARTING (Zhuhai) Manufacturing Co., Ltd. 519085 Zhuhai, China		Title Han 10HP Direct/EMV-HSE-M40			Doc-Key / ECM-Nr. 100665293/UGD/005/H 500000264687	
		Type TB	Number 19 39 810 0548		Rev. H	Page 1/1