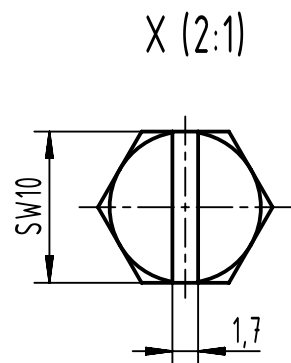


A

B

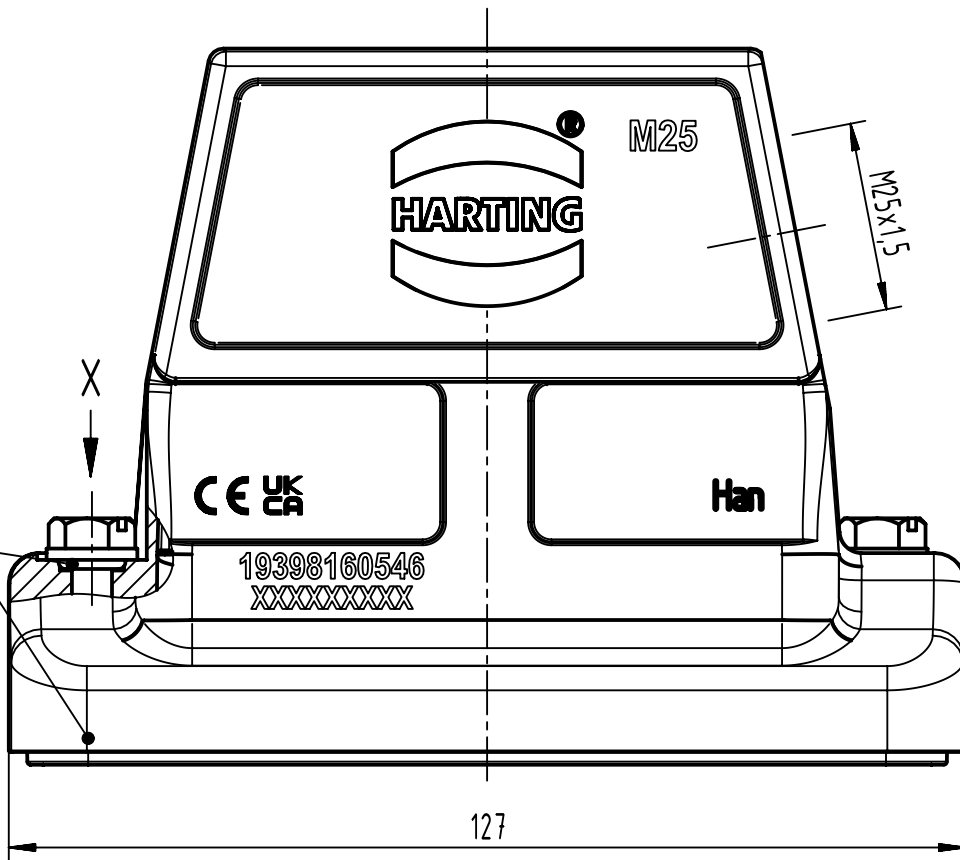
C

D

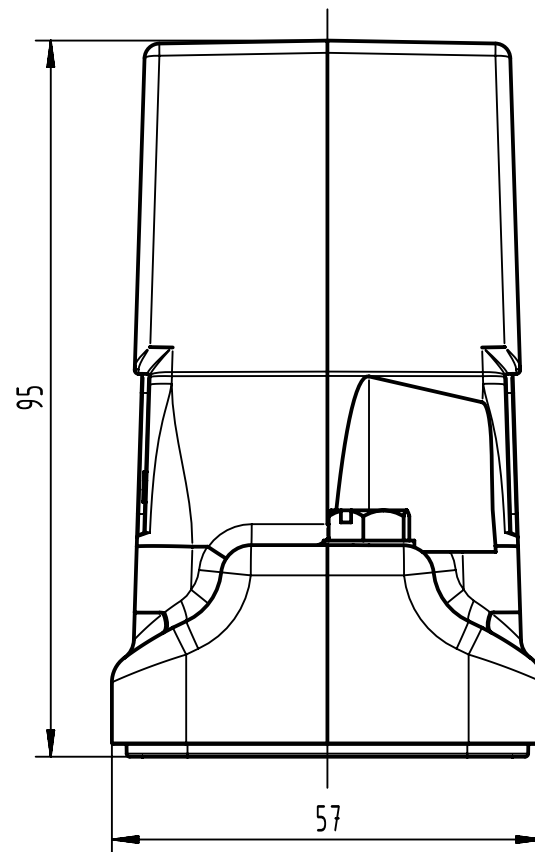


X (2:1)

Seal



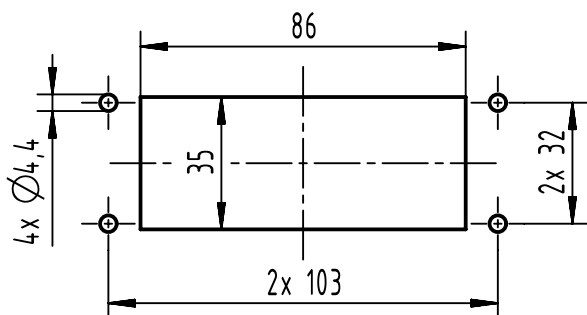
127



95

57

Panel cut out (1:2)



All Dimensions in mm
Original Size DIN A4

Scale
1:1

Free size tol.

Ref.

Sub.



All rights reserved

Created by
SHENGJ

Inspected by
WANGSTE

Standardisation
ROEBEN

Date
2024-03-01

State
Final Release

Title

Han 16HP Direct/EMV-HSE-M25

Doc-Key / ECM-Nr.
100665332/UGD/003/F
500000264687

HARTING (Zhuhai) Manufacturing Co., Ltd.
519085 Zhuhai, China

Type
TB

Number
19 39 816 0546

Rev.
F

Page
1/1