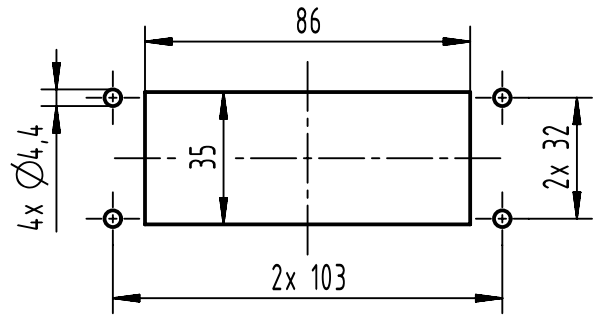


Seal

Panel cut out (1:2)



	All rights reserved		Created by SHENGJ		Inspected by WANGSTE		Standardisation ROEBEN		Date 2024-03-01		State Final Release	
	Department EL PD		Title Han 16HP Direct/EMV-HSE-M40		Number 19 39 816 0548		Doc-Key / ECM-Nr. 100665332/UGD/005/F 500000264687		Rev. F		Page 1/1	
HARTING (Zhuhai) Manufacturing Co., Ltd. 519085 Zhuhai, China			All Dimensions in mm Original Size DIN A4		Scale 1:1 Free size tol.		Ref. Sub.					