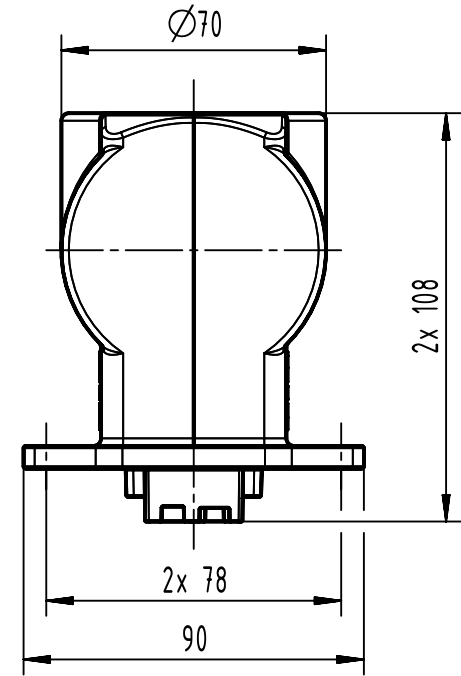
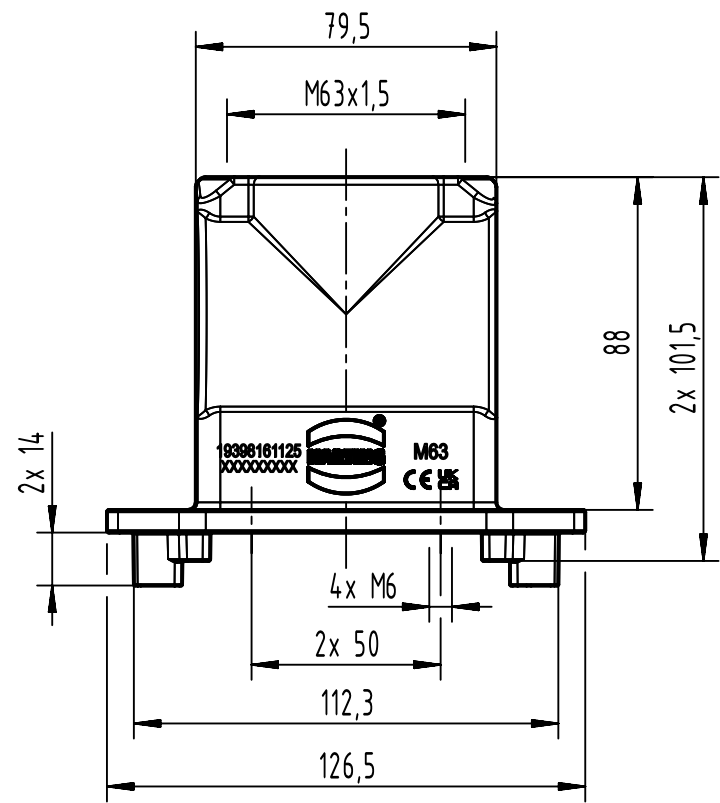
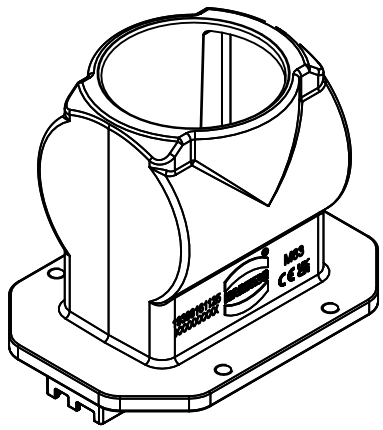
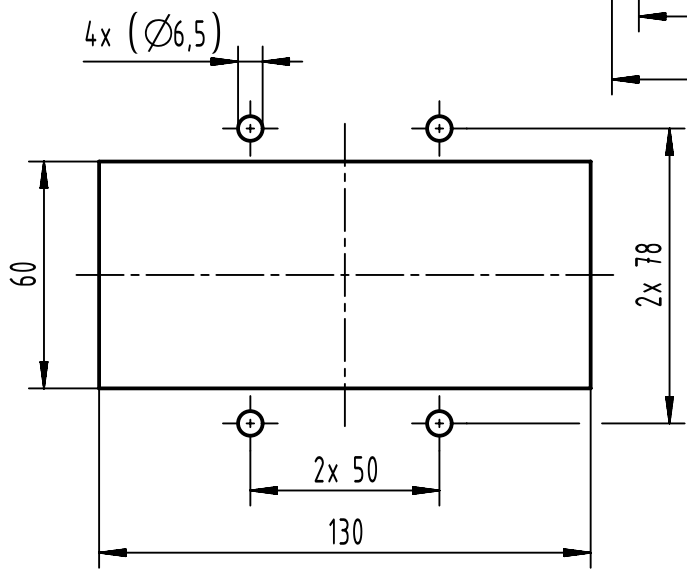


1 2 3 4 5 6

A
B
C
D



panel cut out (1:2)



	All rights reserved Department EL PD	All Dimensions in mm Original Size DIN A4		Scale 1:2	Free size tol.	Ref. Sub.
		Created by SHENGJ	Inspected by WANGSTE	Standardisation ROEBEN	Date 2024-03-01	State Final Release
HARTING D-32339 Espelkamp		Title Han 16HP Direct/EMC-PFT-Housing-TE-M63				Doc-Key / ECM-Nr. 100746632/UGD/001/E 500000264687
		Type TB	Number 19 39 816 1125			Rev. E
						Page 1/1