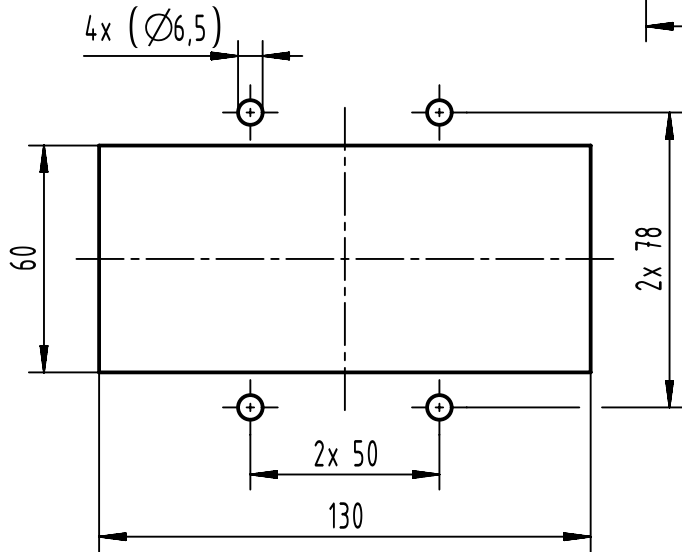


panel cut out (1:2)



	All rights reserved Department EL PD	All Dimensions in mm Original Size DIN A4			Scale 1:2	Free size tol.	Ref. Sub.
		Created by SHENGJ	Inspected by WANGSTE	Standardisation ROEBEN	Date 2024-03-01	State Final Release	
HARTING D-32339 Espelkamp		Title Han 16HP Direct/EMC-PFT-Housing-SE-M63				Doc-Key / ECM-Nr. 100746637/UGD/001/E 500000264687	
		Type TB	Number 19 39 816 1135			Rev. E	Page 1/1