

1 2 3 4 5 6

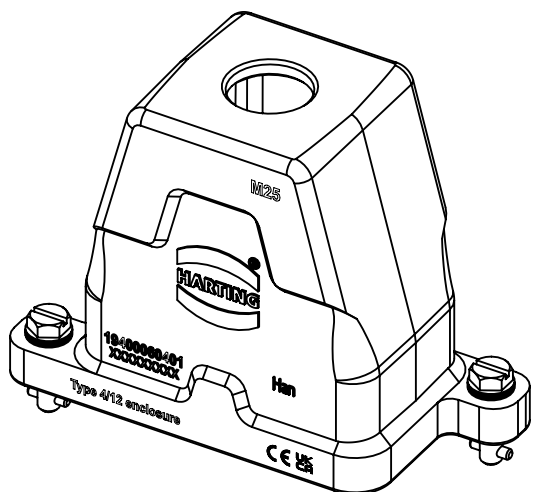
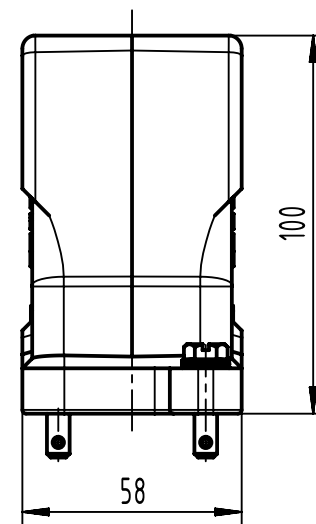
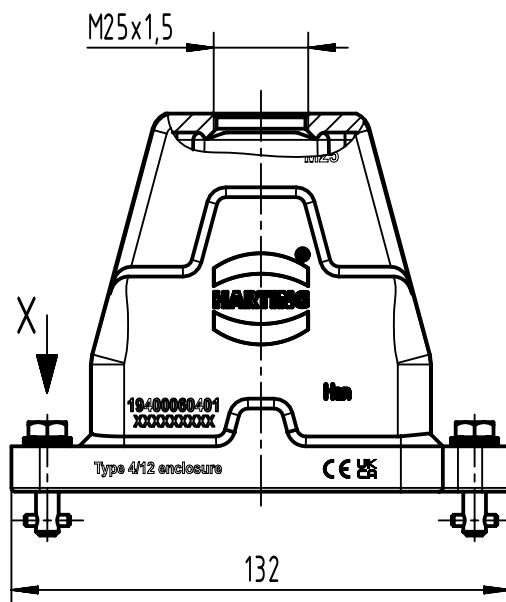
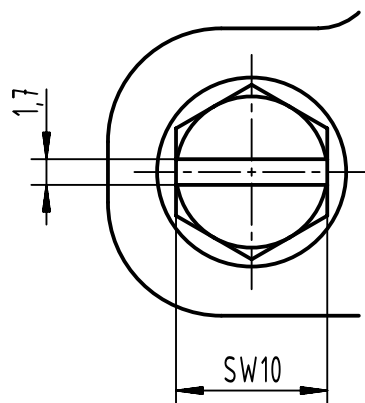
A

B

C

D

X (2:1)



	All Dimensions in mm Original Size DIN A4	Scale 1:2		Free size tol.		Ref.	
						Sub.	
	All rights reserved Department EL PD	Created by DEIMEL	Inspected by 100219	Standardisation	Date 2024-03-07	State Final Release	
		Title Han 6HPR Hood Top Entry M25 Toggle lock					Doc-Key / ECM-Nr. 100208623/UGD/004/F 500000265117
HARTING D-32339 Espelkamp		Type TB	Number 19 40 006 0401			Rev. F	Page 1/1