

1 2 3 4 5 6

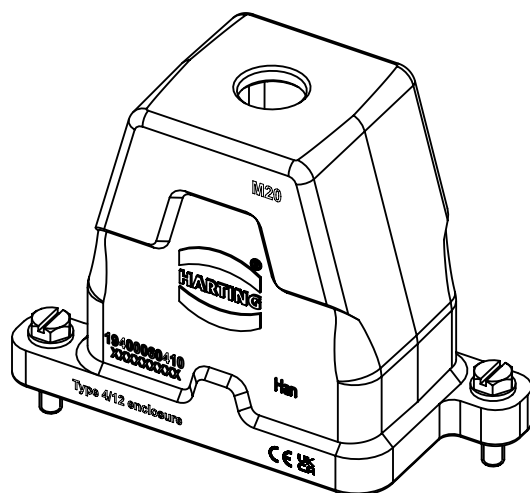
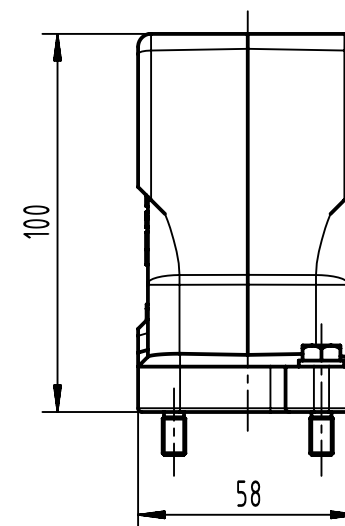
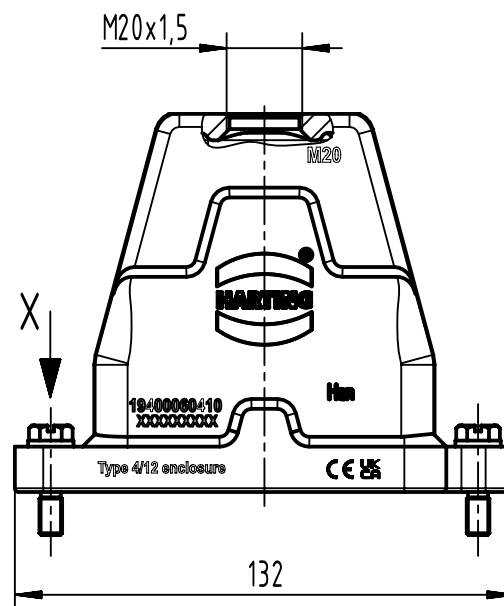
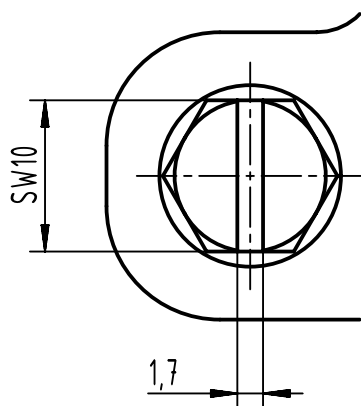
A

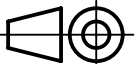

B

C

D

X (2:1)



	All Dimensions in mm Original Size DIN A4		Scale 1:2	Free size tol.		Ref.	
						Sub.	
	All rights reserved		Created by DEIMEL	Inspected by 100219	Standardisation	Date 2024-03-07	
	Department EL PD					State Final Release	
HARTING			Title Han 6HPR Hood Top Entry M20 Screw lock			Doc-Key / ECM-Nr. 100208629/UGD/004/F 500000265117	
D-32339 Espelkamp			Type TB	Number 19 40 006 0410			
						Rev. F	Page 1/1