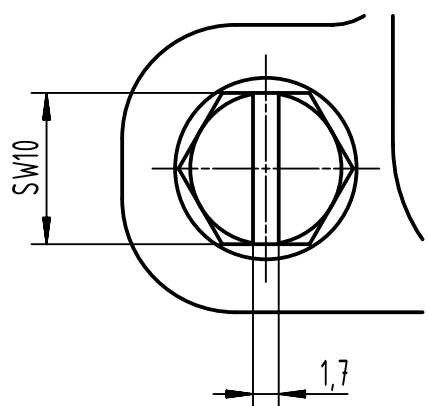
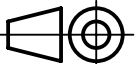



A (2:1)



 All Dimensions in mm Original Size DIN A4	Scale	Free size tol.		Ref.	
	1:2			Sub.	
 All rights reserved Department EL PD	Created by	Inspected by	Standardisation	Date	State
	HELLMANN	3236		2023-10-09	Final Release
HARTING D-32339 Espelkamp	Title			Doc-Key / ECM-Nr.	
	Han 10HPR-gg2-SV-M20			100206737/UGD/004/E 500000253941	
Type		Number		Rev.	Page
TB		19 40 010 0430		E	1/1