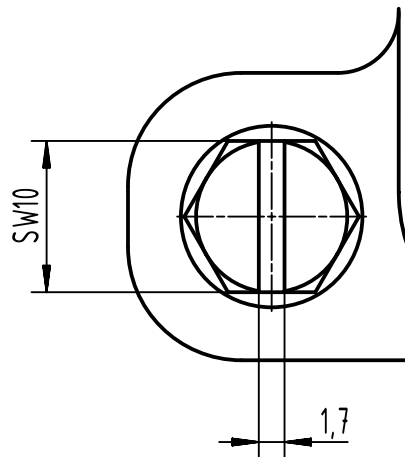


X (2:1) 2x



	All rights reserved Department EL PD	All Dimensions in mm Original Size DIN A4		Scale 1:2	Free size tol.	Ref. Sub.
		Created by HELLMANN	Inspected by 3236	Standardisation	Date 2023-09-27	State Final Release
HARTING D-32339 Espelkamp		Title Han 10HPR-gs-SV-M25			Doc-Key / ECM-Nr. 100208111/UGD/004/E 500000253814	
		Type TB	Number 19 40 010 0511		Rev. E	Page 1/1