

1 2 3 4 5 6

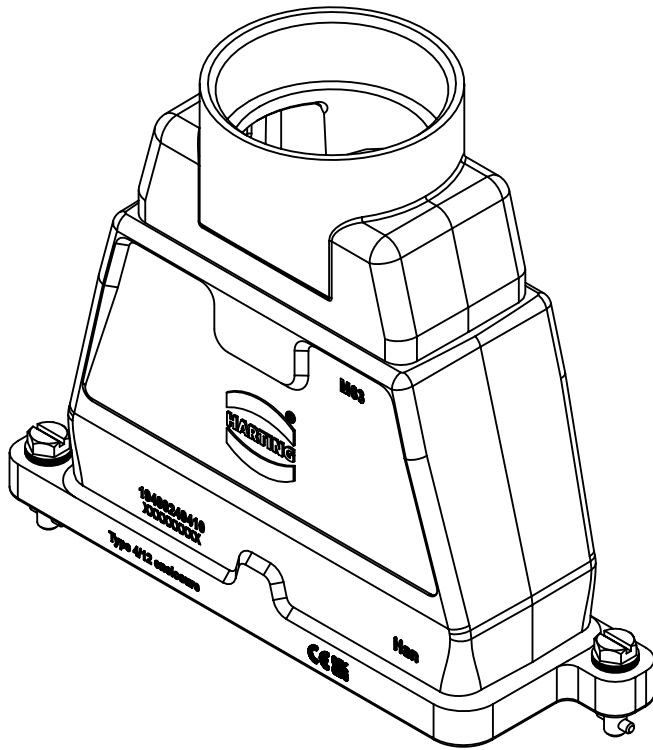
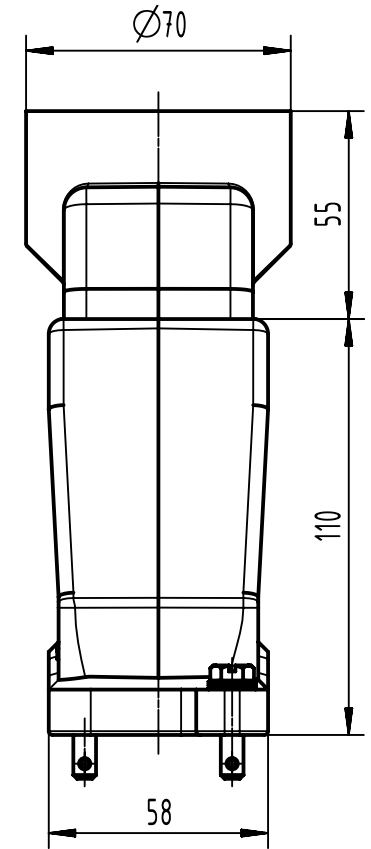
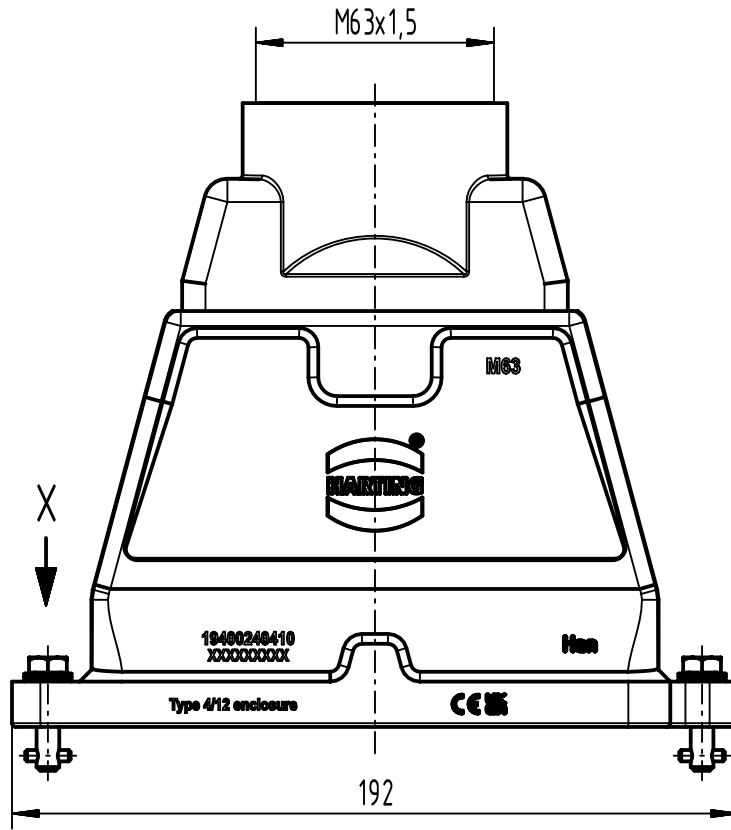
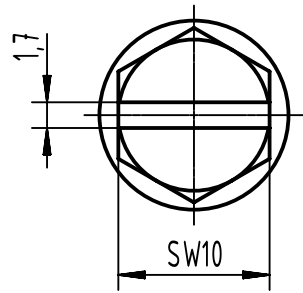
A

B

C

D

X (2:1)



	All Dimensions in mm Original Size DIN A4		Scale 1:2	Free size tol.		Ref.
			Created by HELLMANN	Inspected by 3236	Standardisation	Sub.
All rights reserved Department EL PD		Title Han 24HPR-gg-KV-M63		Date 2023-10-18		State Final Release
HARTING D-32339 Espelkamp		Type TB		Number 19 40 024 0410		Doc-Key / ECM-Nr. 100201933/UGD/004/D 500000255781
					Rev. D	Page 1/1