

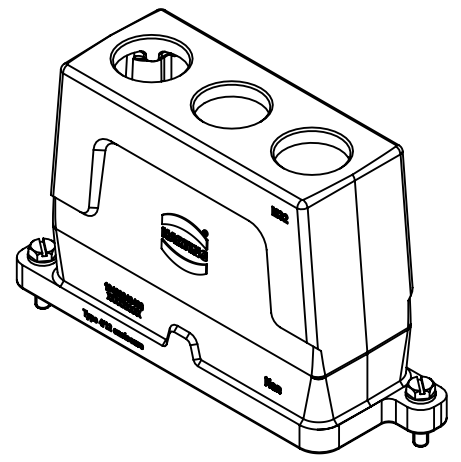
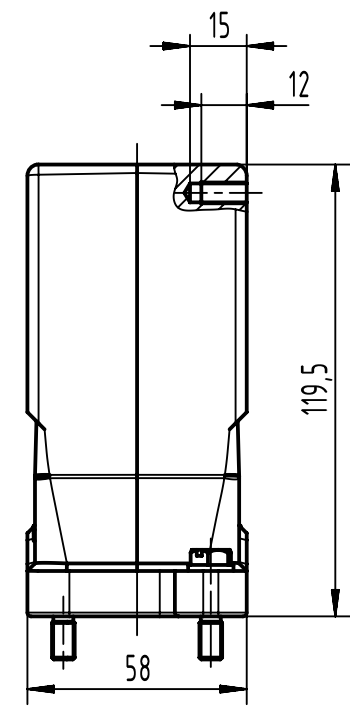
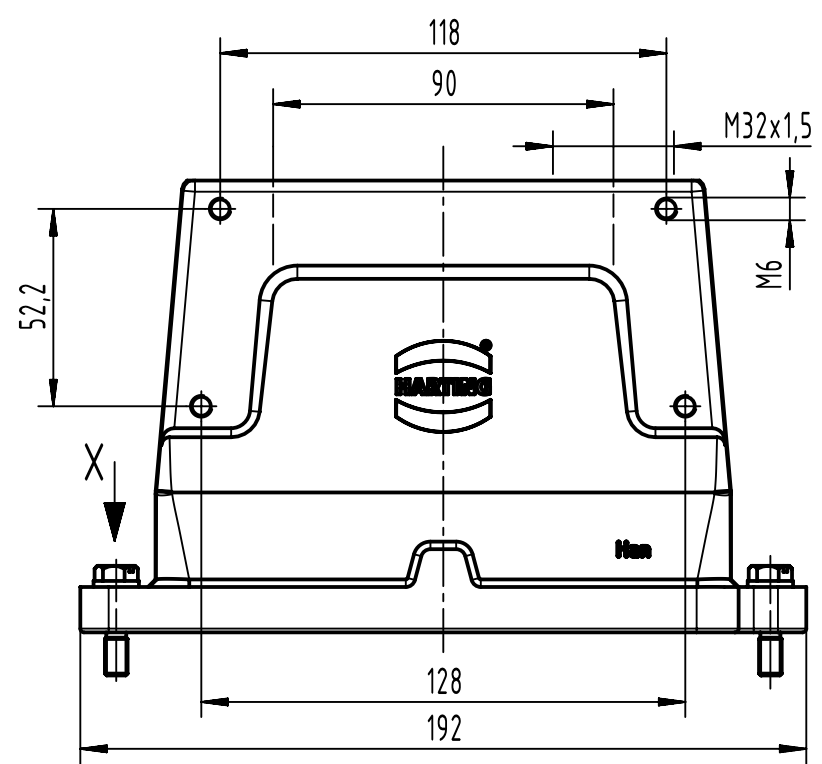
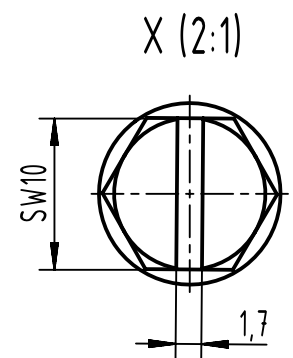
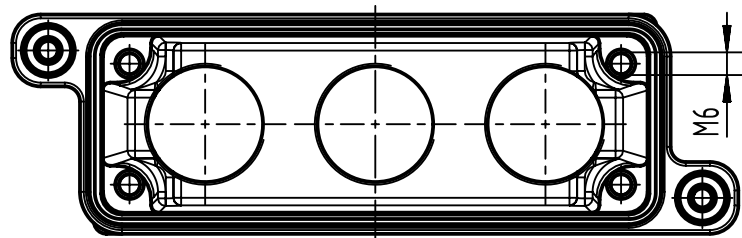
1 2 3 4 5 6

A

B

C

D



	All Dimensions in mm Original Size DIN A4		Scale 1:2	Free size tol.		Ref.
	All rights reserved Department EL PD		Created by HOLLERT	Inspected by SCHNIEDER	Standardisation 302077	Sub.
HARTING D-32339 Espelkamp		Title Han 24HPR-enlarged-HTE-SL-3xM32			Date 2021-01-18	State Final Release
					Doc-Key / ECM-Nr. 100221323/UGD/004/E 500000187248	Rev. E
					Type TB	Number 19 40 024 0468
					Page 1/1	