

1 2 3 4 5 6

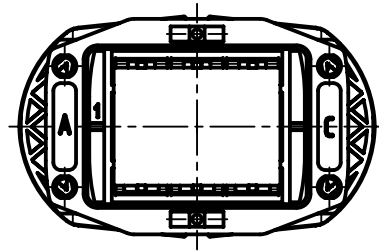
A

B

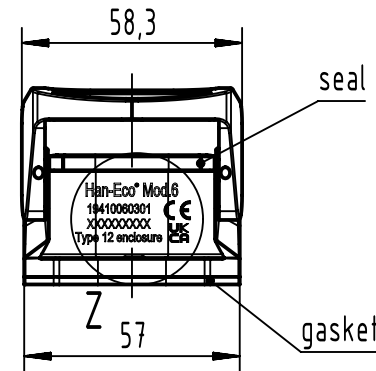
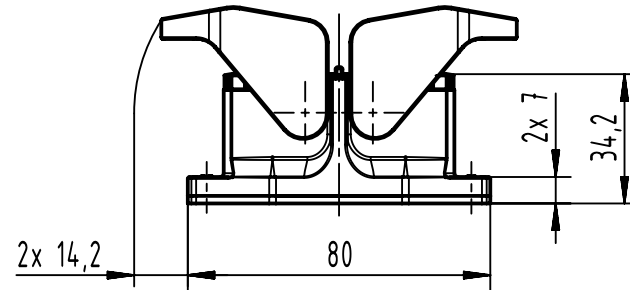
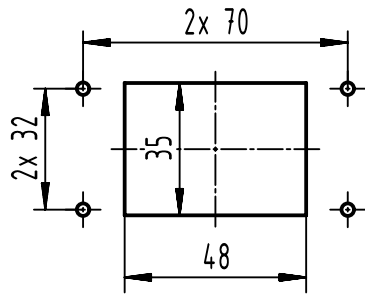
C

D

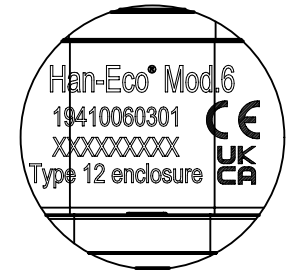
view without gasket



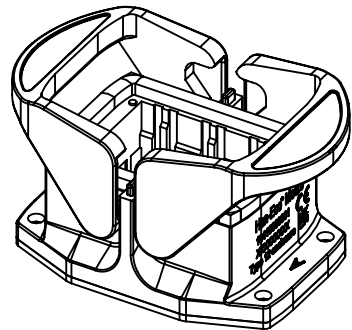
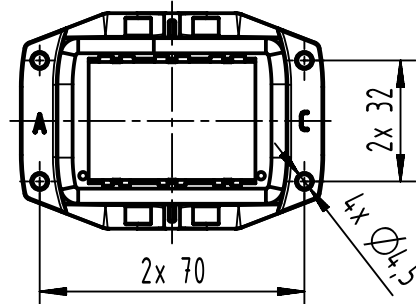
panel cut out



Z (1:1)



view without lever



	All rights reserved Department EL PD	All Dimensions in mm Original Size DIN A4		Scale 1:2	Free size tol.	Ref. Sub.
		Created by HOLLERT	Inspected by SCHNIEDER	Standardisation	Date 2023-10-23	State Final Release
HARTING D-32339 Espelkamp		Title Han-Eco Mod.6-agg			Doc-Key / ECM-Nr. 100186482/UGD/009/D 500000255921	
		Type TB	Number 19 41 006 0301		Rev. D	Page 1/1