

1 2 3 4 5 6

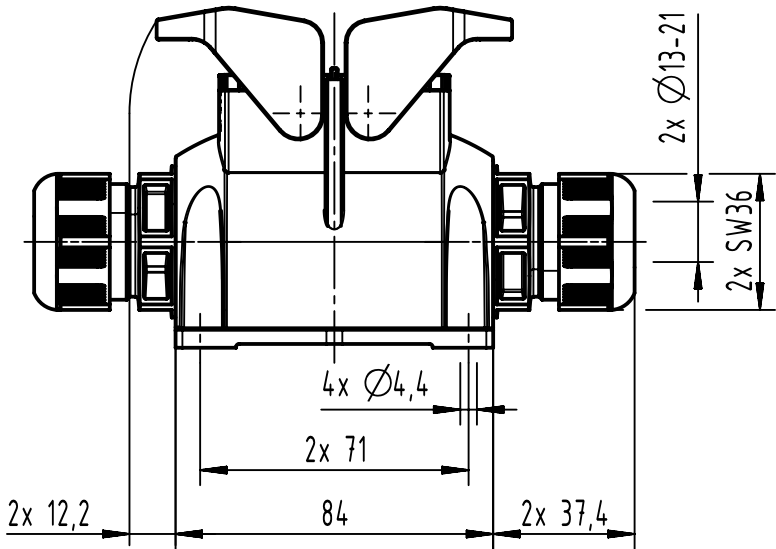
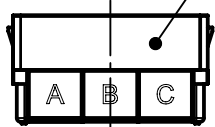
A

B

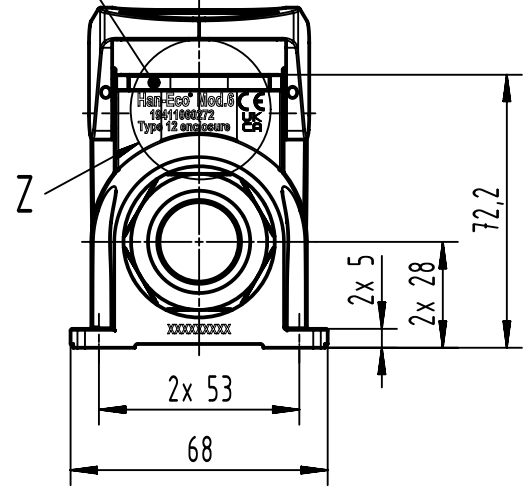
C

D

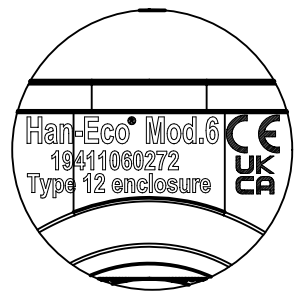
adapter frame



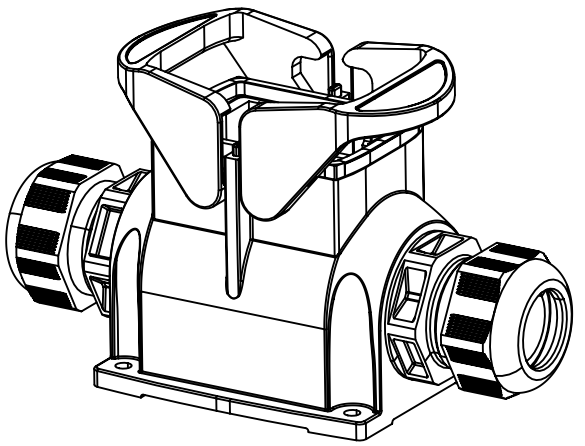
seal



Z (1:1)



adapter frame and cable glands are enclosed



	All rights reserved Department EL PD	All Dimensions in mm Original Size DIN A4		Scale 1:2	Free size tol.	Ref. Sub.
		Created by HOLLERT	Inspected by SCHNIEDER	Standardisation	Date 2023-10-23	State Final Release
HARTING D-32339 Espelkamp		Title Han-Eco Mod.6-HSM2-M32-glanded			Doc-Key / ECM-Nr. 100222554/UGD/004/G 500000255784	
		Type TB	Number 19 41 106 0272		Rev. G	Page 1/1