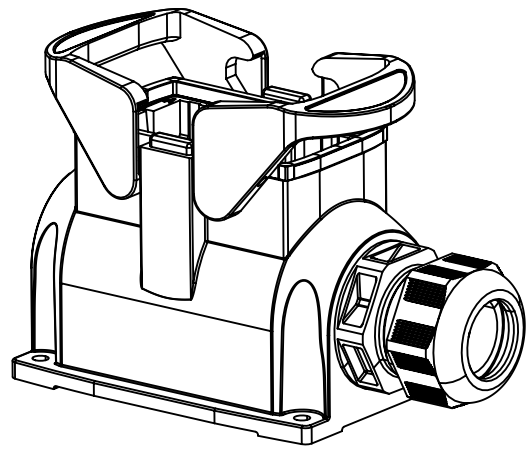
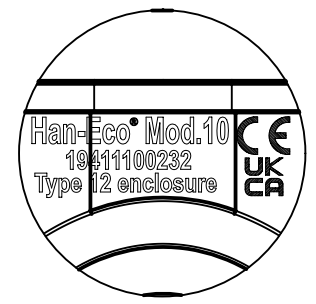


Z (1:1)



adapter frame and cable gland are enclosed

|                              |   |  |                           |                 |  |                        |
|------------------------------|---|--|---------------------------|-----------------|--|------------------------|
|                              | All rights reserved<br>Department EL PD | All Dimensions in mm<br>Original Size DIN A4 |                           | Scale<br>1:2    | Free size tol.   | Ref.<br>Sub.           |
|                              |   | Created by<br>HOLLERT                        | Inspected by<br>SCHNIEDER | Standardisation | Date<br>2023-10-16                                       | State<br>Final Release |
| HARTING<br>D-32339 Espelkamp |   | Title<br>Han-Eco Mod.10-HSM1-M32-glanded     |                           |                 | Doc-Key / ECM-Nr.<br>100222555/UGD/006/G<br>500000255544 |                        |
|                              |   | Type<br>TB                                   | Number<br>19 41 110 0232  |                 | Rev.<br>G  | Page<br>1/1            |