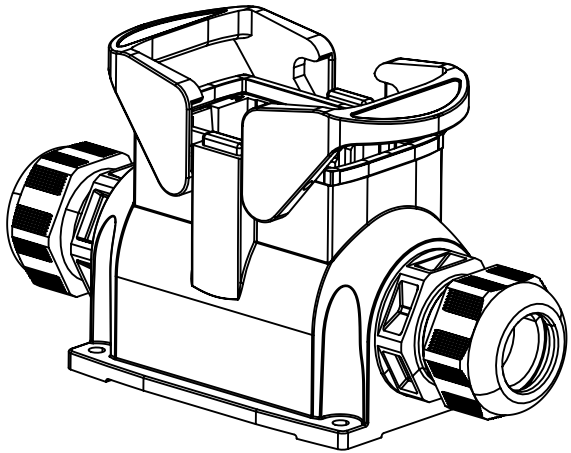
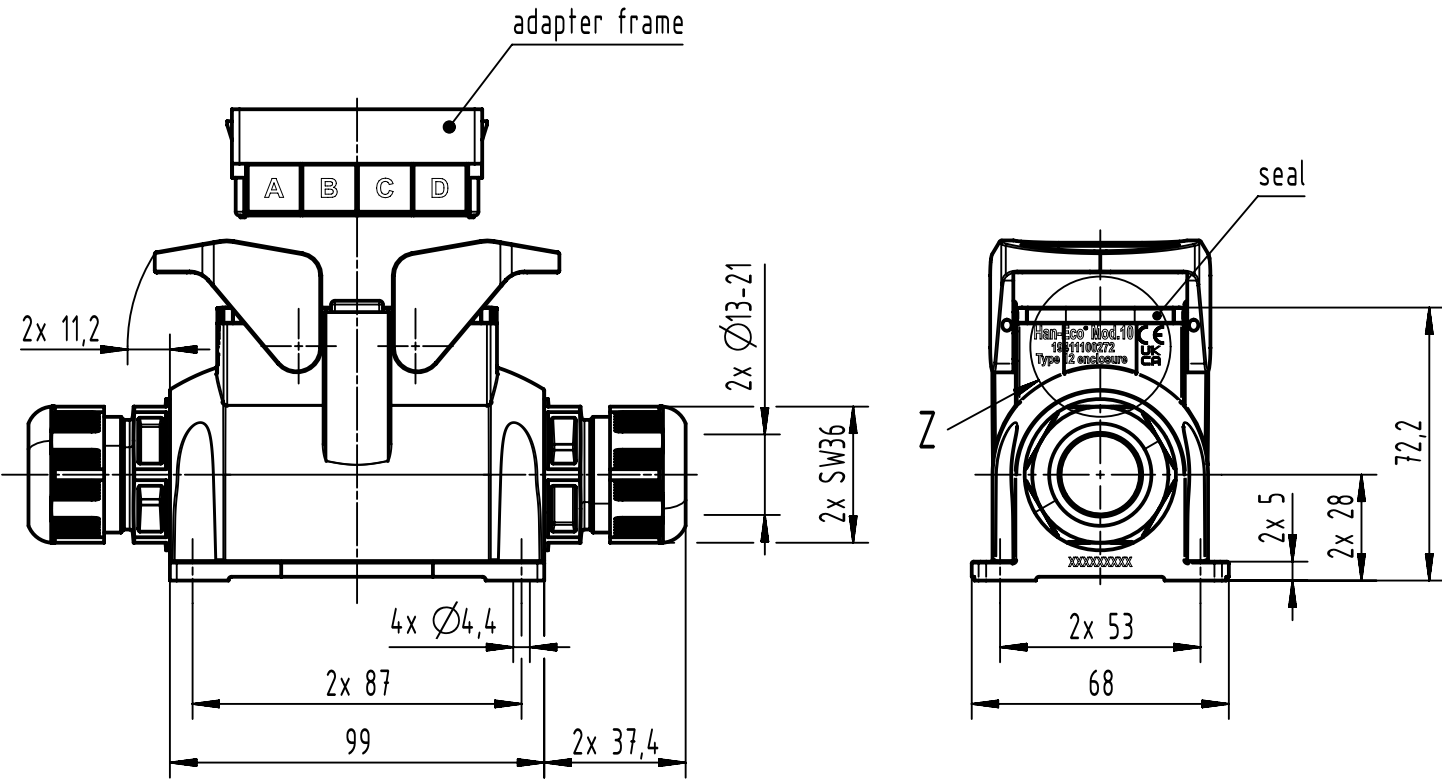


A

B

C

D



adapter frame and cable glands are enclosed

	All rights reserved Department EL PD	All Dimensions in mm Original Size DIN A4		Scale 1:2	Free size tol.	Ref. Sub.
		HARTING D-32339 Espelkamp	Created by HOLLERT	Inspected by SCHNIEDER	Standardisation	Date 2023-10-16
Title Han-Eco Mod.10-HSM2-M32-glanded					Doc-Key / ECM-Nr. 100222558/UGD/004/G 500000255544	
Type TB			Number 19 41 110 0272		Rev. G	Page 1/1