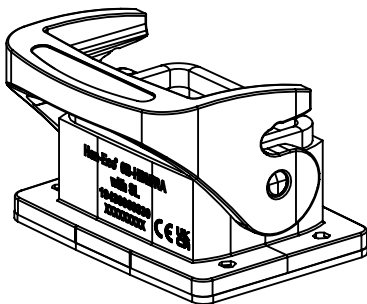
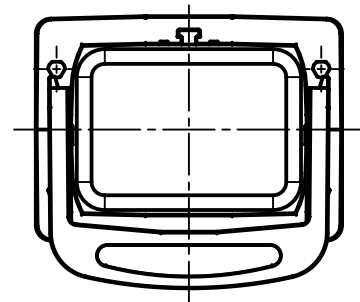
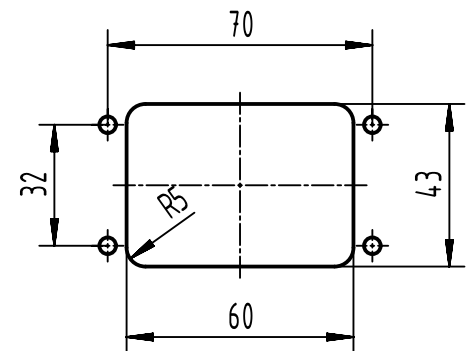
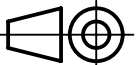



panel cut out  
for assembly from  
the inner side of cabinet



 All Dimensions in mm Original Size DIN A4	Scale	Free size tol.		Ref.	
	1:2			Sub.	
 All rights reserved Department EL PD	Created by	Inspected by	Standardisation	Date	State
	SPRENB	HERBRECHTSME		2023-06-01	Final Release
HARTING D-32339 Espelkamp	Title			Doc-Key / ECM-Nr.	
	Han-Eco 6B-HBM/RA-with SL			100767884/UGD/001/C 500000243572	
Type		Number		Rev.	Page
TB		19 43 006 0330		C	1/1