

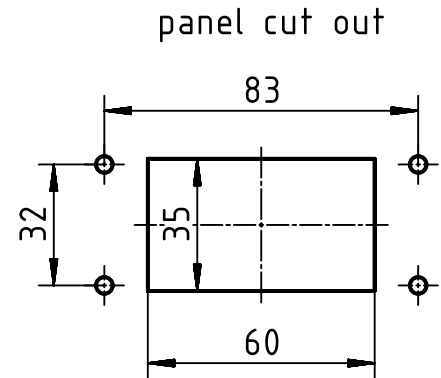
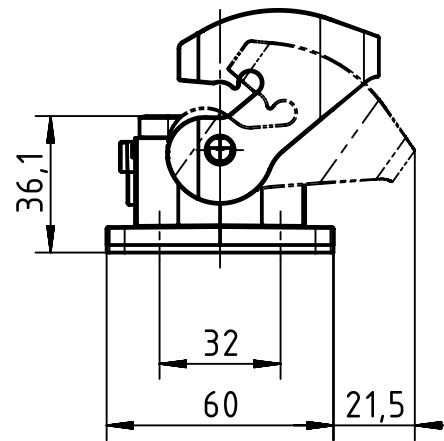
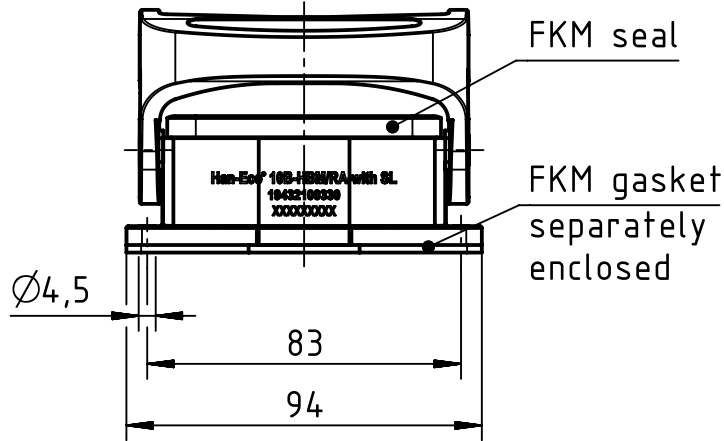
1 2 3 4 5 6

A

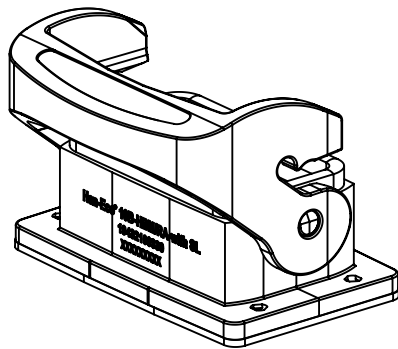
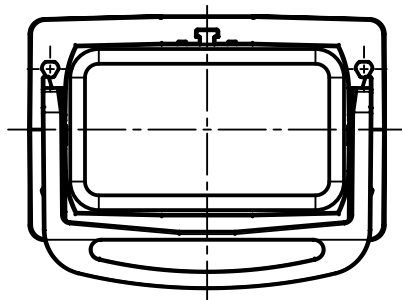
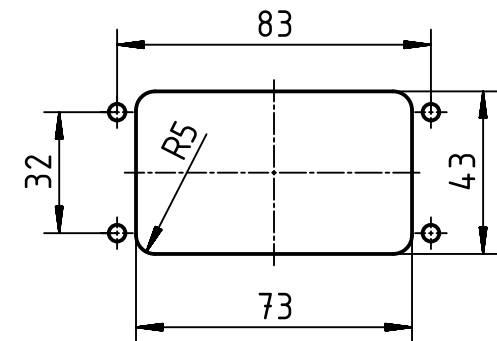
B


C

D



panel cut out
for assembly from
the inner side of cabinet



	All rights reserved		Created by ROEBEN		Inspected by SCHENK		Standardisation TIEMANNA		Date 2018-04-13		State Final Release	
	Department EL PD - DE		Title Han-Eco 10B Outd-HBM/RA-with SL		Number 19 43 210 0330		Doc-Key / ECM-Nr. 100767896/UGD/001/A 500000132917		Rev. A		Page 1/1	
HARTING Electric GmbH & Co. KG D-32339 Espelkamp			All Dimensions in mm Original Size DIN A4		Scale 1:2		Free size tol.		Ref. Sub.			