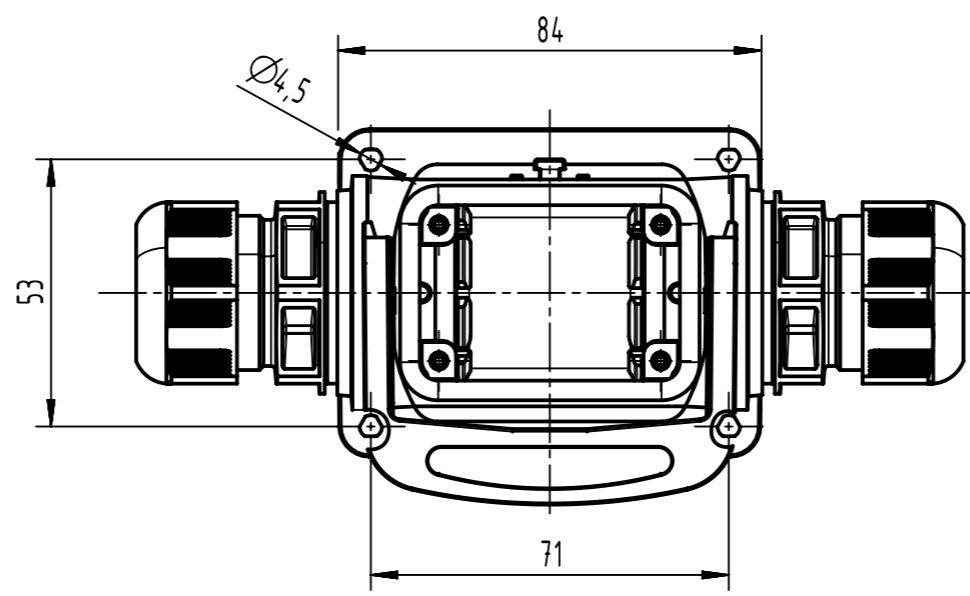
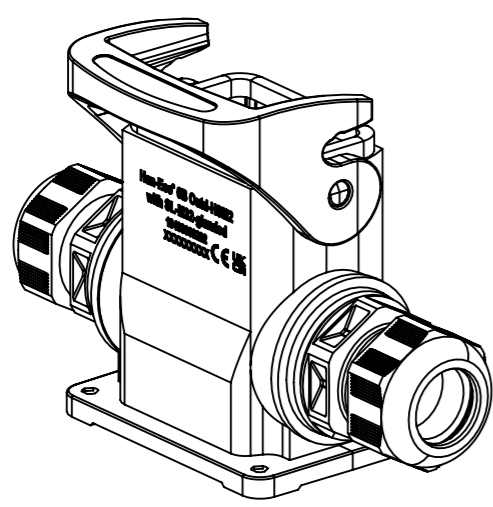
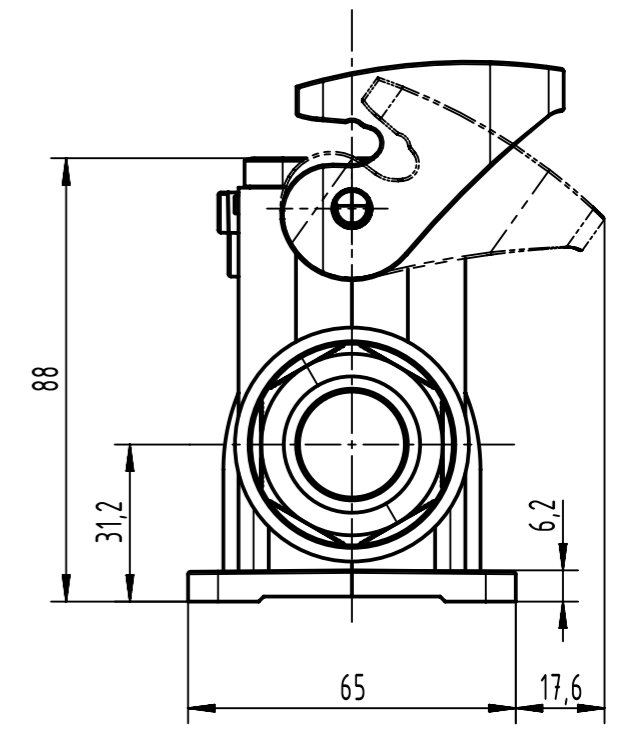
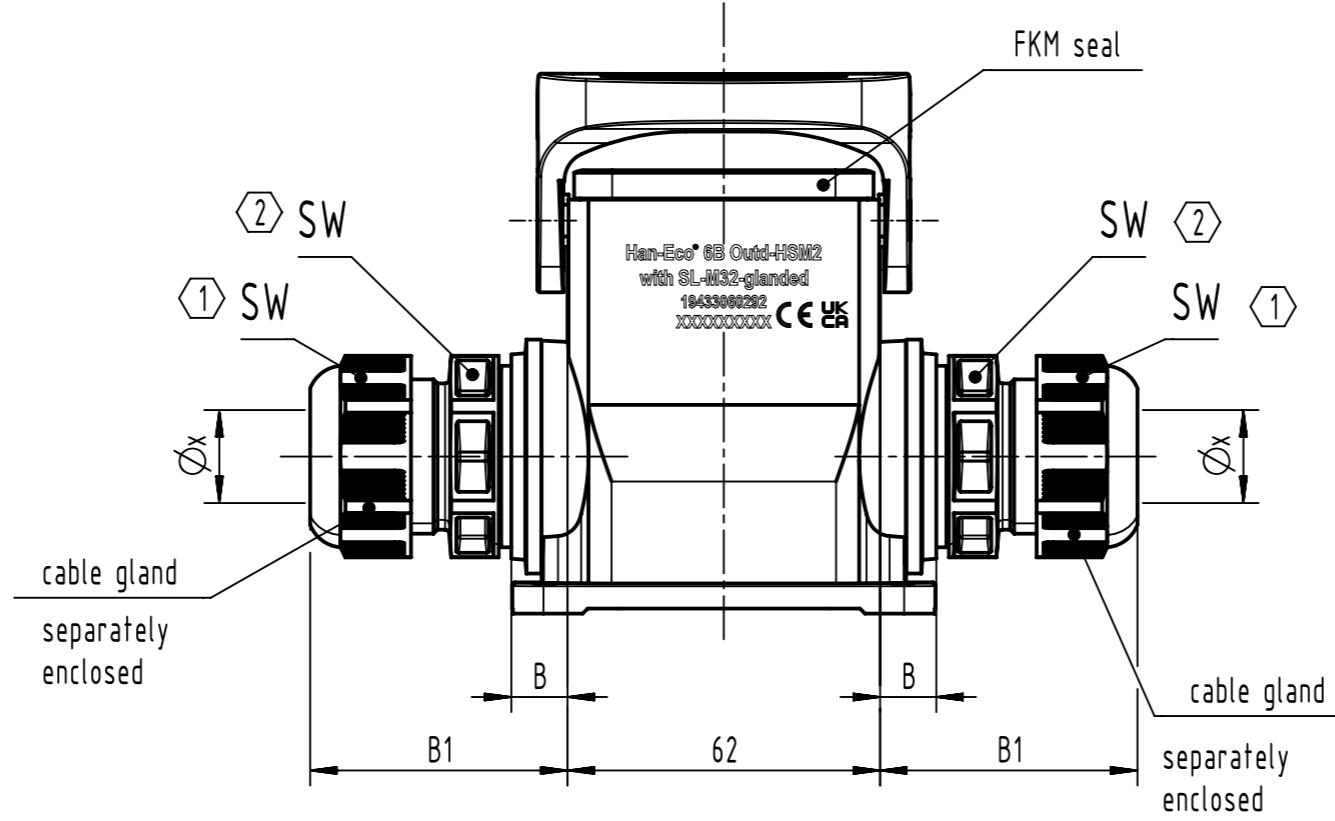


1 2 3 4 5 6 7 8

A B C D E F



exemplary shown artikel: 19433060292
item 1-3 excluding cable gland

6	19433060292	Han-Eco 6B Outd-HSM2-with SL-M32-glanded	11,2	51,0	36	13-21	4,0	15,0
5	19433060291	Han-Eco 6B Outd-HSM2-with SL-M25-glanded	11,2	47,6	29	9-17	4,0	10,0
4	19433060290	Han-Eco 6B Outd-HSM2-with SL-M20-glanded	11,2	44,6	24	6-13	3,0	4,0
3	19432060292	Han-Eco 6B Outd-HSM2-with SL-M32	11,2	-	-	-	-	-
2	19432060291	Han-Eco 6B Outd-HSM2-with SL-M25	11,2	-	-	-	-	-
1	19432060290	Han-Eco 6B Outd-HSM2-with SL-M20	11,2	-	-	-	-	-
item	partnumber	partname	B	B1	SW	Øx	①	②
							tightening torque Nm	

All Dimensions in mm
Original Size DIN A3

Scale 1:1.5

Free size tol.

Ref.

Sub.

All rights reserved

Department EL PD

Created by SPREENB

Inspected by HERBRECHTSME

Standardisation

Date 2023-07-10

State Final Release

Title Han-Eco 6B Outd-HSM2-with SL-Mxx-xx

Doc-Key / ECM-Nr. 100740038/UGD/004/B 500000246895

HARTING D-32339 Espelkamp

Type TB

Number 19 43 Y06 029X

Rev. B

Page 1/1

1 2 3 4 5 6 7 8