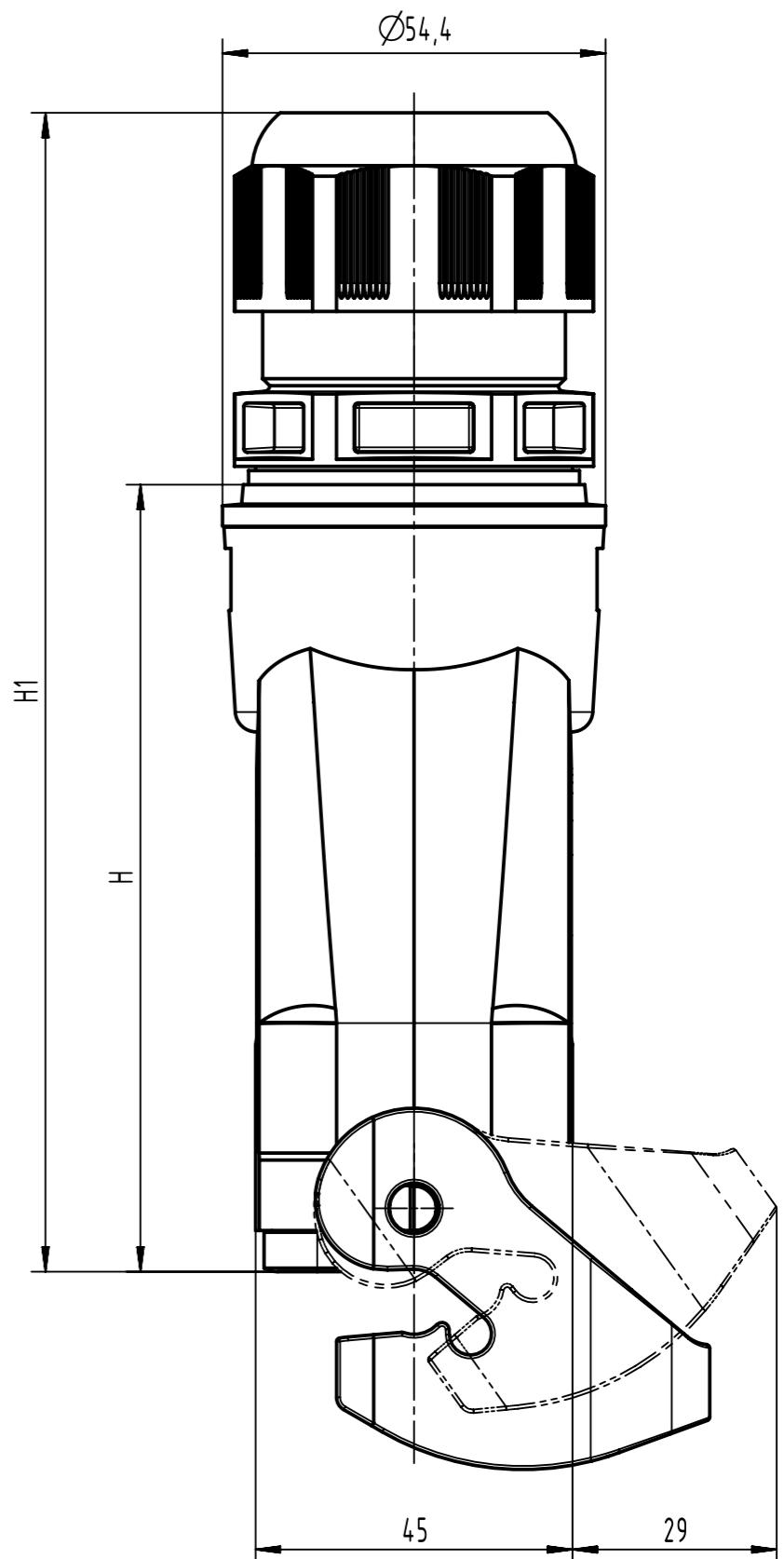
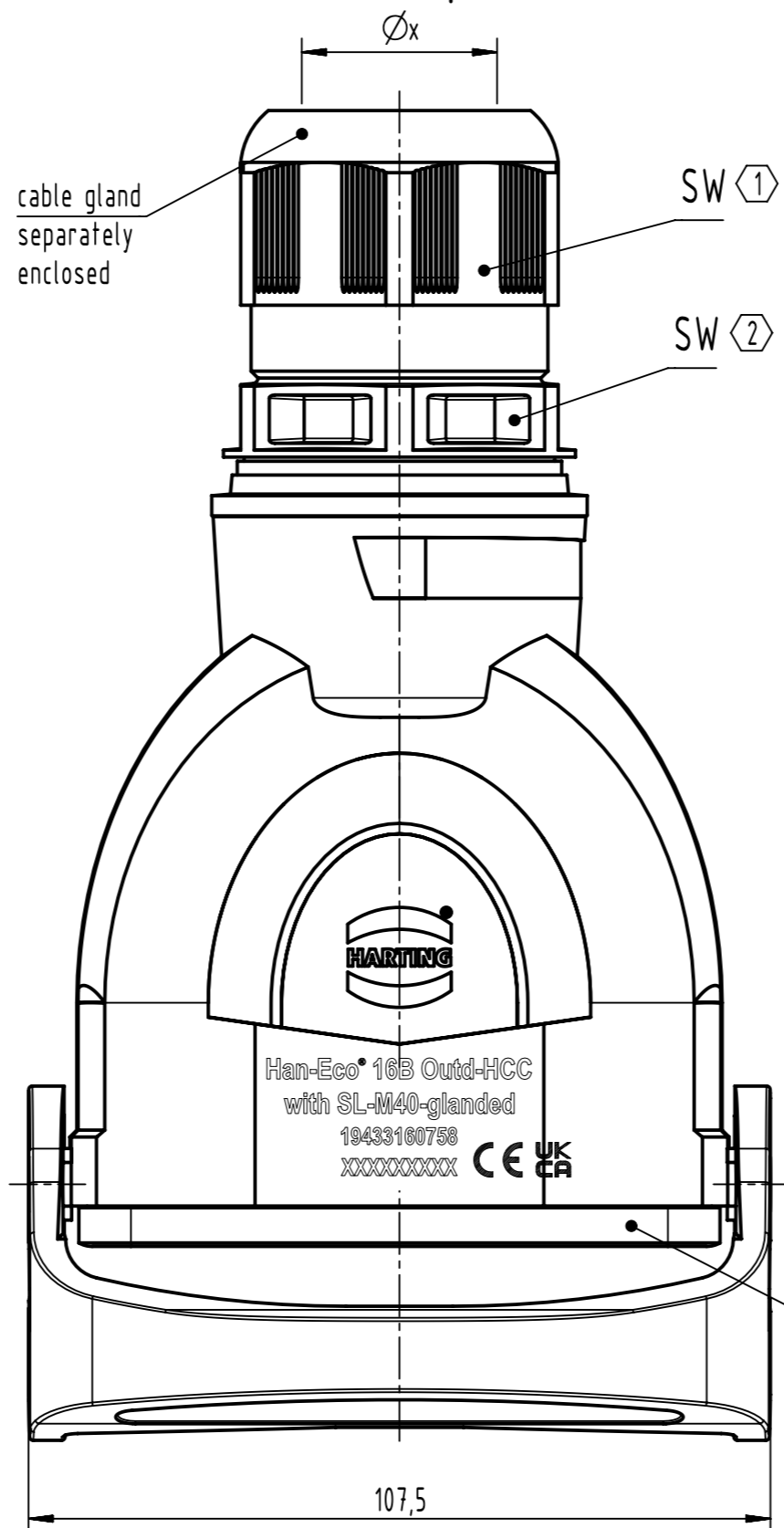
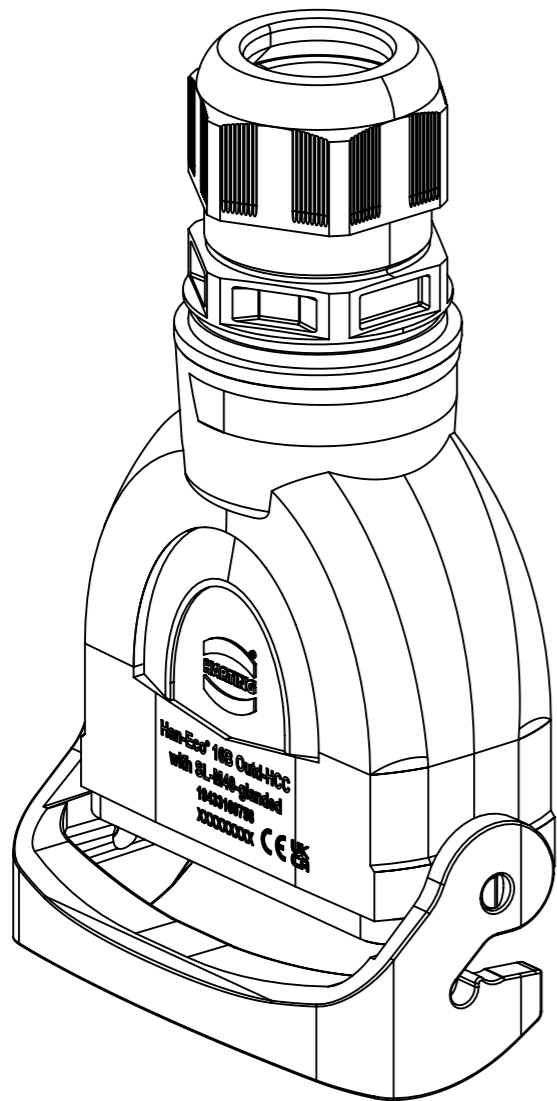


1 2 3 4 5 6 7 8


A
B
C
D
E

A
B
C
D
E



exemplary shown article: 19433160758
 item 1-3 excluding cable gland

6	19433160758	Han-Eco 16B Outd-HCC-with SL-M40-glanded	111,8	164,6	46	16-28	20,0	20,0
5	19433160757	Han-Eco 16B Outd-HCC-with SL-M32-glanded	111,8	151,6	36	13-21	4,0	15,0
4	19433160756	Han-Eco 16B Outd-HCC-with SL-M25-glanded	111,8	148,2	29	9-17	4,0	10,0
3	19432160758	Han-Eco 16B Outd-HCC-with SL-M40	111,8	-	-	-	-	-
2	19432160757	Han-Eco 16B Outd-HCC-with SL-M32	111,8	-	-	-	-	-
1	19432160756	Han-Eco 16B Outd-HCC-with SL-M25	111,8	-	-	-	-	-
item	partnumber	partname	H	H1	SW	$\varnothing x$	①	②
							tightening torque Nm	

 All Dimensions in mm
 Original Size DIN A3
 Scale 1:1
 Free size tol.

All rights reserved
 Department EL PD
 HARTING
 D-32339 Espelkamp

Created by HOLLERT
 Inspected by HERBRECHTSME
 Standardisation
 Date 2023-07-06
 State Final Release

Title Han-Eco 16B Outd-HCC-with SL-Mxx-xx
 Type TB
 Number 19 43 Y16 075X

Ref. Sub.
 Doc-Key / ECM-Nr. 100736988/UGD/005/C 50000248129
 Rev. C
 Page 1/1

1 2 3 4 5 6 7 8