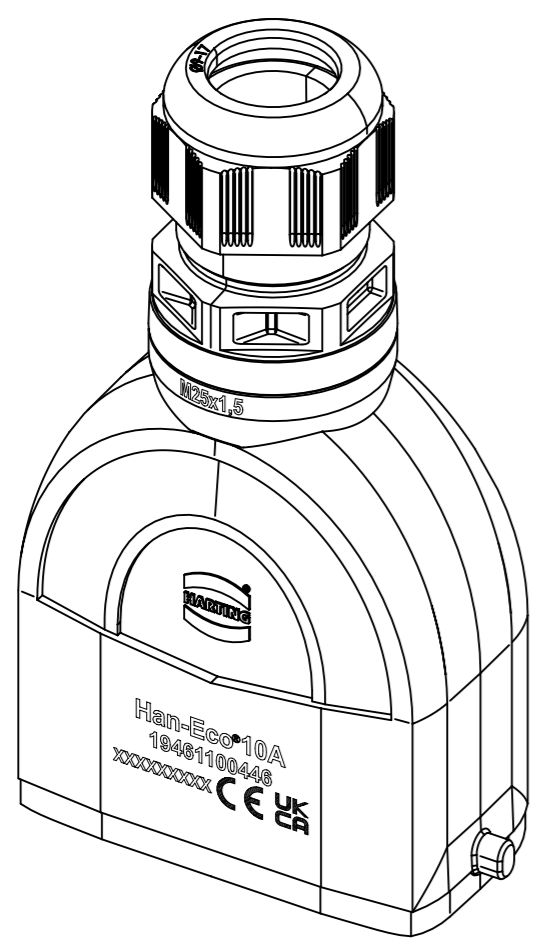
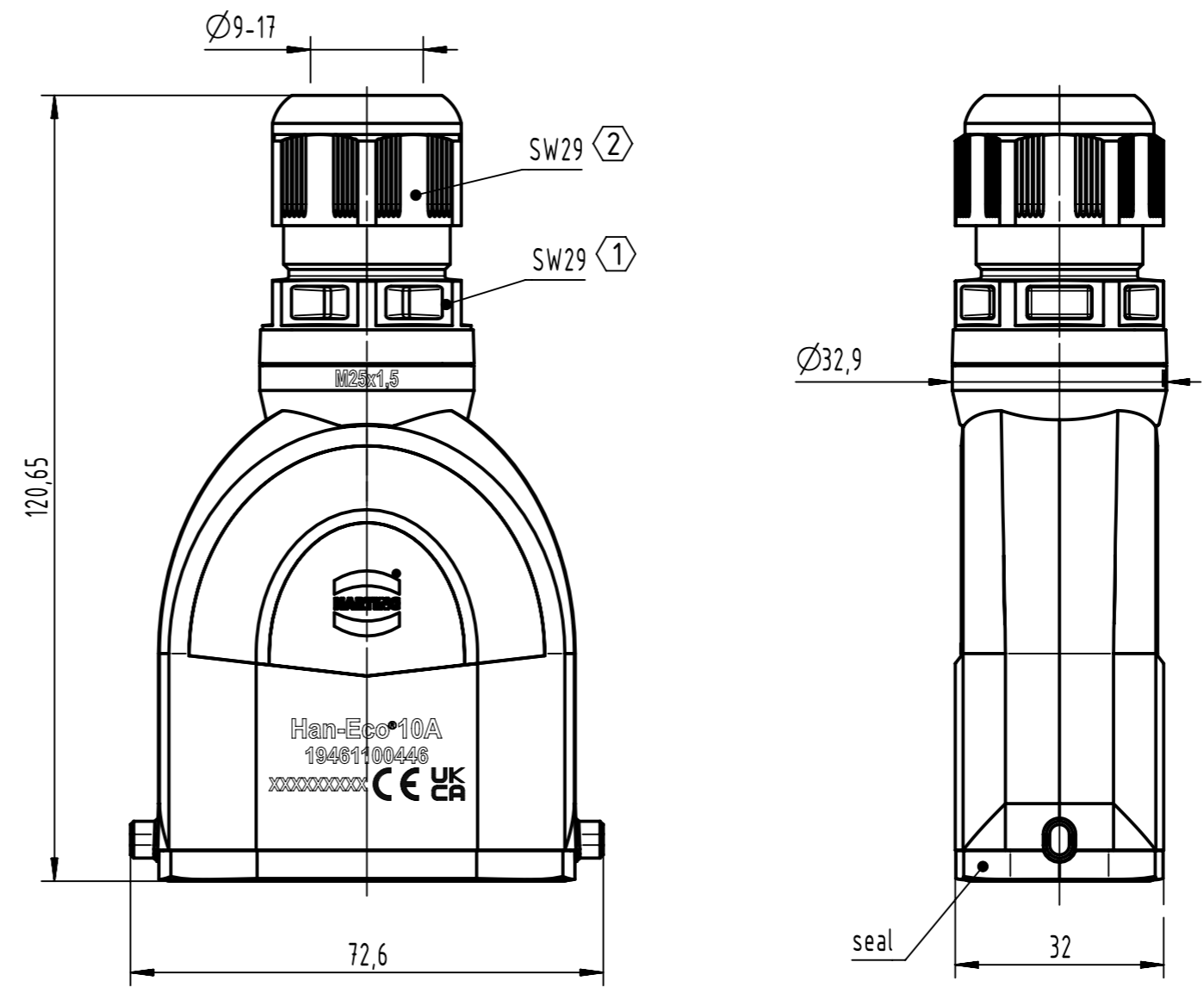



1 2 3 4 5 6 7 8

A
B
C
D
E
F

A
B
C
D
E
F



- ① tightening torque max. 10Nm
- ② tightening torque max. 4Nm

 All rights reserved Department EL PD HARTING D-32339 Espelkamp	All Dimensions in mm Original Size DIN A3	Scale 1:1	Free size tol.	Ref. Sub.
	Created by MOELLERLI	Inspected by SCHNIEDER	Standardisation	Date 2023-07-25
Title Han-Eco 10A-HTE-M25 w. cable gl.				Doc-Key / ECM-Nr. 100602200/UGD/001/D 500000250449
Type TB		Number 19 46 110 0446		Rev. D
				Page 1/1

1 2 3 4 5 6 7 8