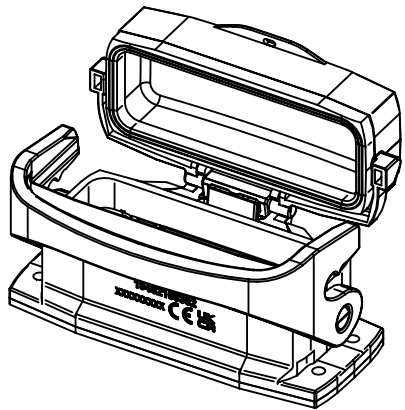
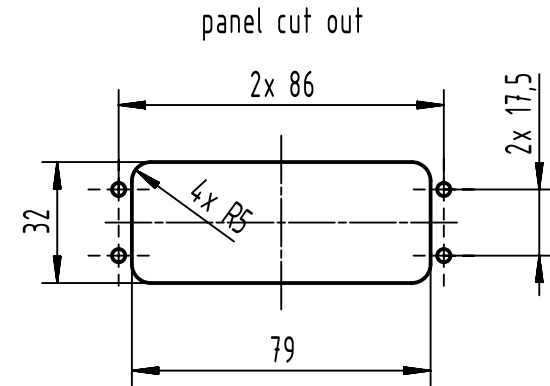
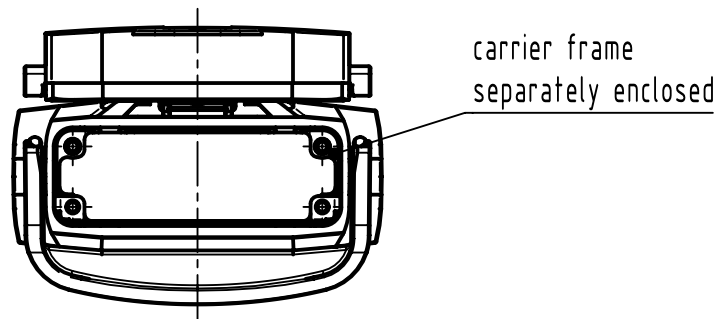
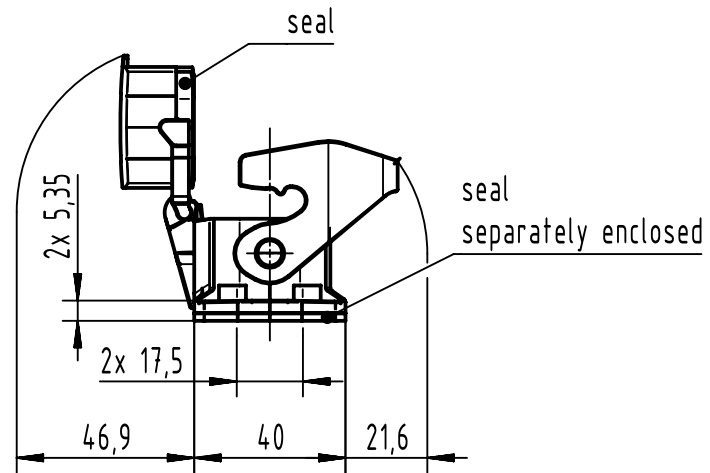
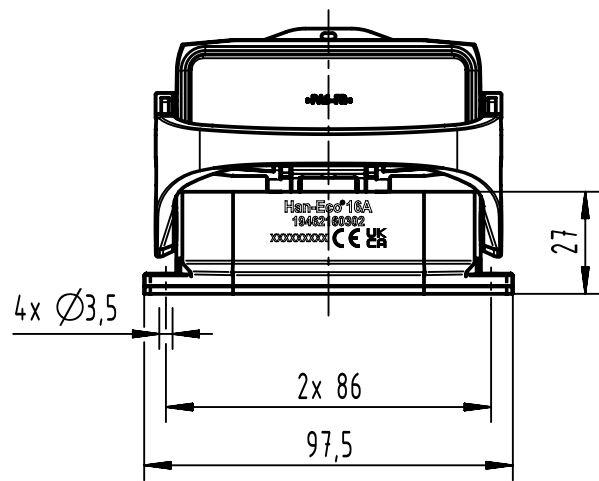


A

B

C

D



	All Dimensions in mm Original Size DIN A4		Scale 1:2	Free size tol.		Ref.	
						Sub.	
	All rights reserved		Created by MOELLERLI	Inspected by SCHNIEDER	Standardisation	Date 2023-07-24	
	Department EL PD					State Final Release	
HARTING			Title Han-Eco Outdoor 16A-HBM with cover			Doc-Key / ECM-Nr. 100613105/UGD/001/D 500000250456	
D-32339 Espelkamp			Type TB	Number 19 46 216 0302			
						Rev. D	Page 1/1