

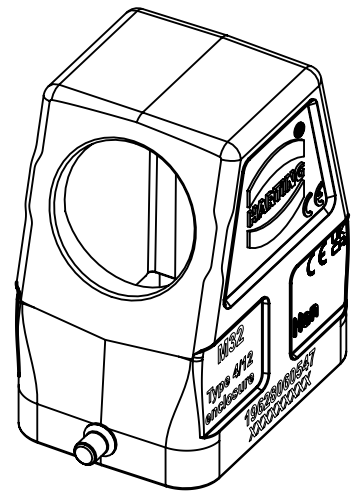
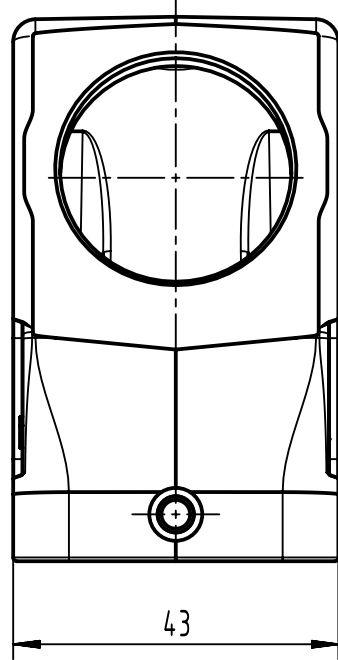
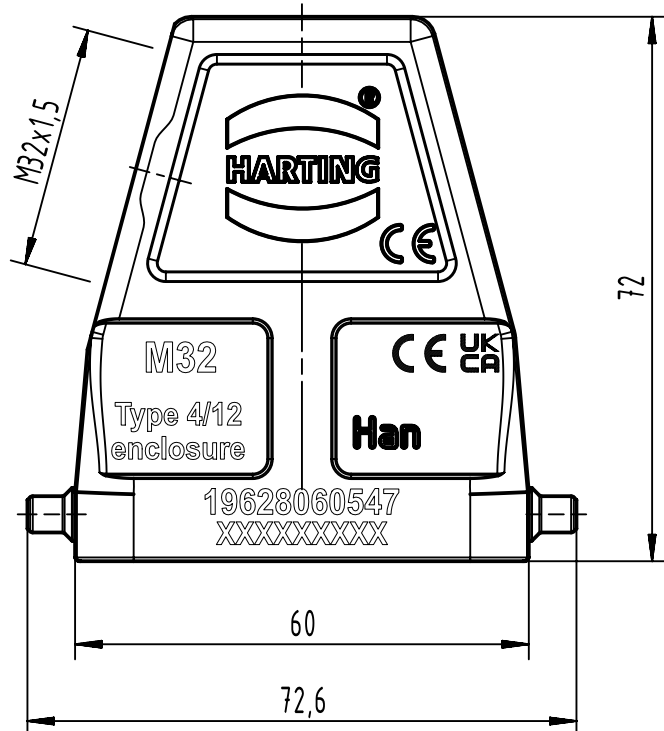
1 2 3 4 5 6

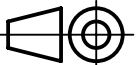

A

B

C

D



	All Dimensions in mm Original Size DIN A4		Scale 1:1	Free size tol.		Ref.	
						Sub.	
	All rights reserved		Created by SPRENB	Inspected by GERB	Standardisation	Date 2023-08-08	State Final Release
	Department EL PD		Title Han 6EMC/B-HSE-M32 (HT)				Doc-Key / ECM-Nr. 100091900/UGD/005/E 500000251169
HARTING D-32339 Espelkamp		Type TB	Number 19 62 806 0547			Rev. E	Page 1/1