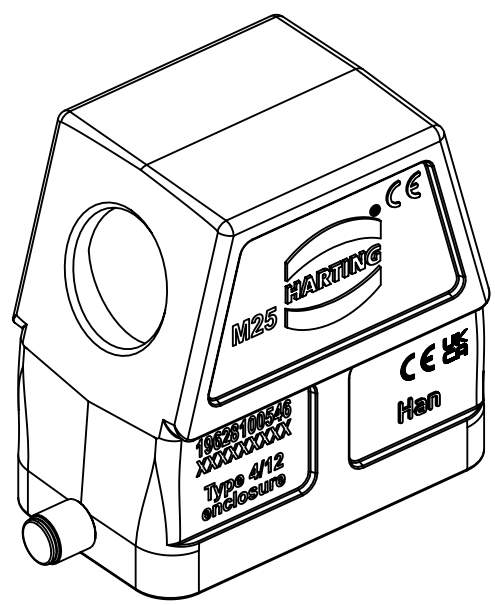
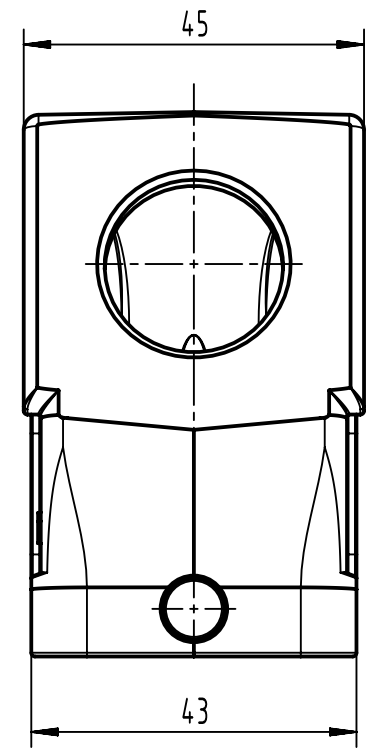
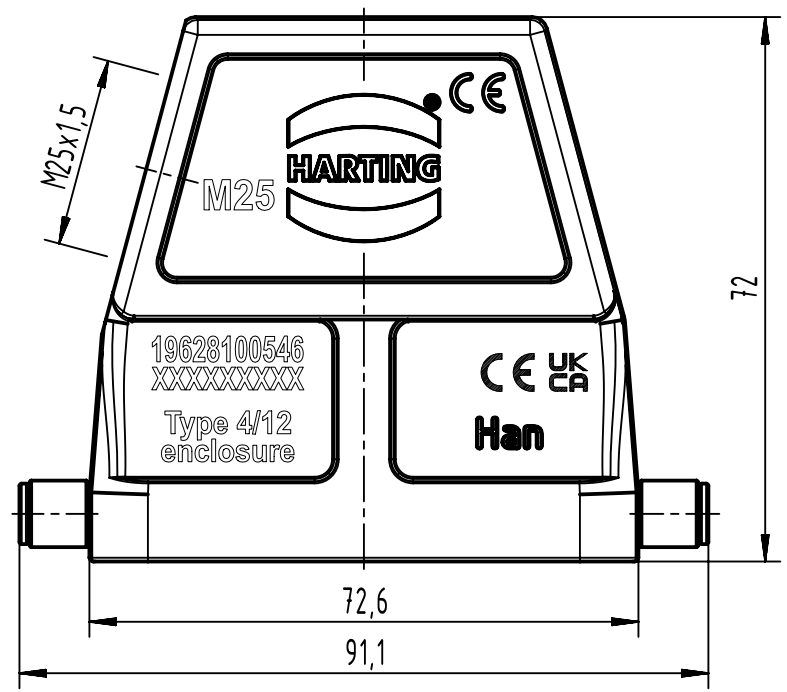


1 2 3 4 5 6

A
B
C
D



	All Dimensions in mm Original Size DIN A4		Scale 1:1	Free size tol.		Ref.		
						Sub.		
	All rights reserved		Created by SPRENB	Inspected by GERB	Standardisation	Date 2023-07-12	State Final Release	
	Department EL PD		Title Han 10EMC/B-HSE-M25 f. SL				Doc-Key / ECM-Nr. 100762415/UGD/002/C 500000248344	
HARTING D-32339 Espelkamp			Type TB	Number 19 62 810 0546			Rev. C	Page 1/1