

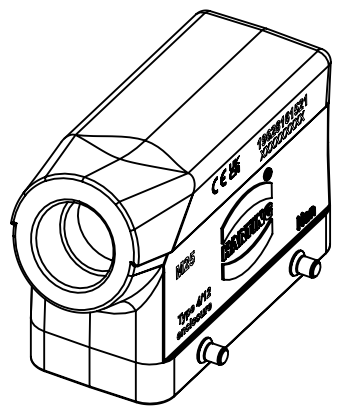
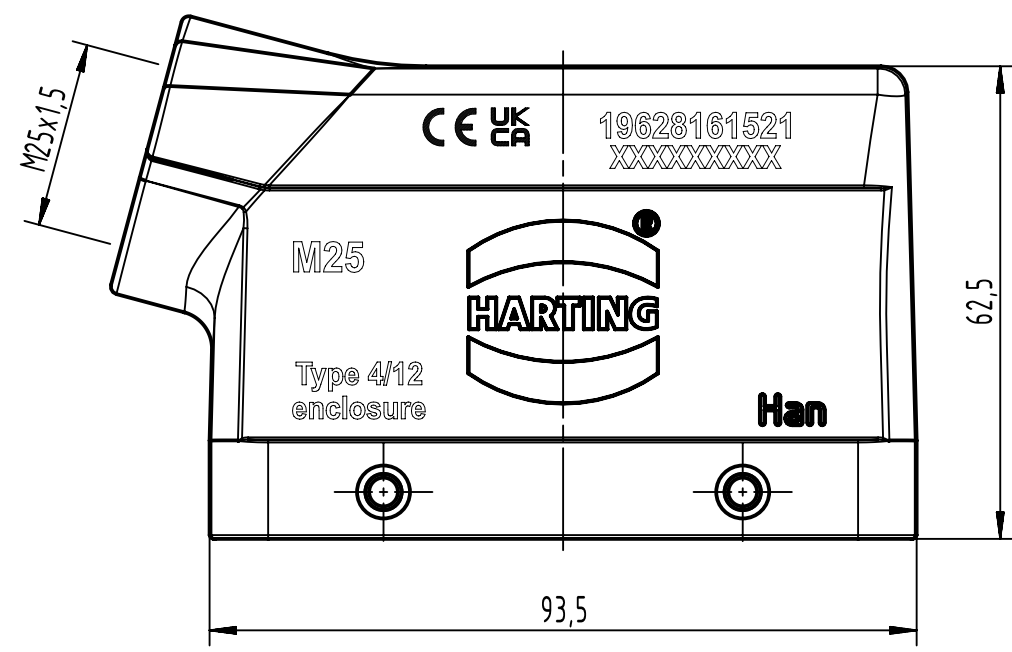
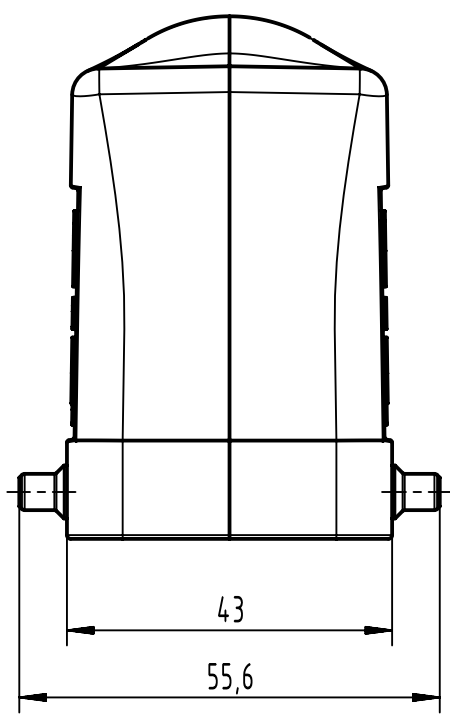
1 2 3 4 5 6

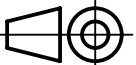

A

B

C

D



 All Dimensions in mm Original Size DIN A4	Scale	Free size tol.			Ref.
	1:1				Sub.
 All rights reserved Department EL PD	Created by	Inspected by	Standardisation	Date	State
	SPRENB	GERB		2023-09-19	Final Release
HARTING D-32339 Espelkamp	Title				Doc-Key / ECM-Nr.
	Han 16EMC/B-HSE-M25 (HT)				100195259/UGD/004/F 500000251349
Type		Number		Rev.	Page
TB		19 62 816 1521		F	1/1