

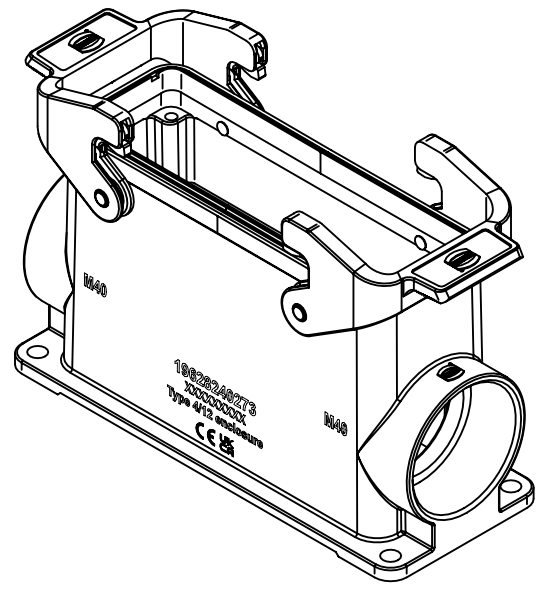
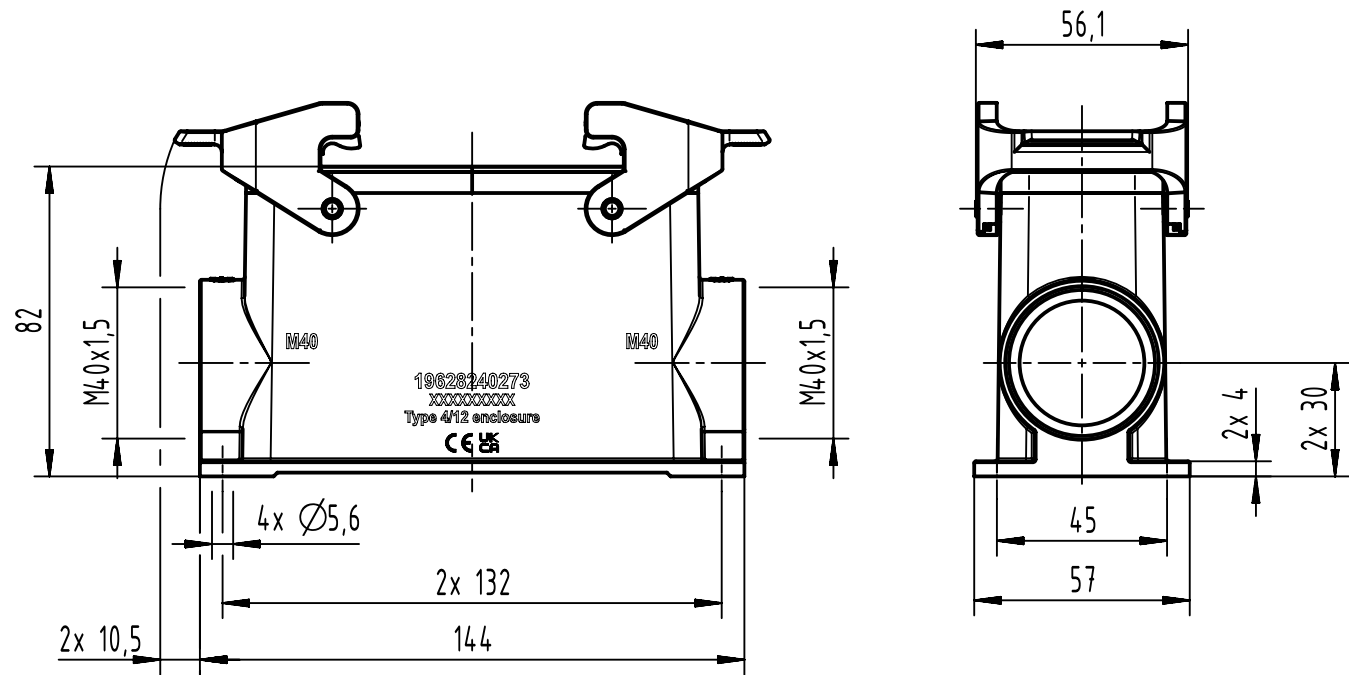
1 2 3 4 5 6

A

B

C

D



	All Dimensions in mm Original Size DIN A4		Scale 1:2	Free size tol.		Ref.		
						Sub.		
	All rights reserved		Created by SPRENB	Inspected by GERB	Standardisation	Date 2023-09-07	State Final Release	
	Department EL PD		Title Han 24EMC/B SM Housing 2 x M40				Doc-Key / ECM-Nr. 100205790/UGD/004/E 500000251416	
HARTING D-32339 Espelkamp			Type TB	Number 19 62 824 0273			Rev. E	Page 1/1