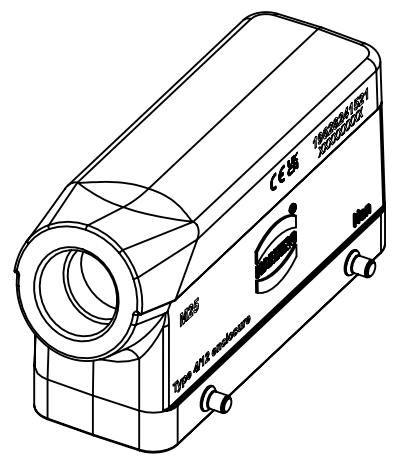
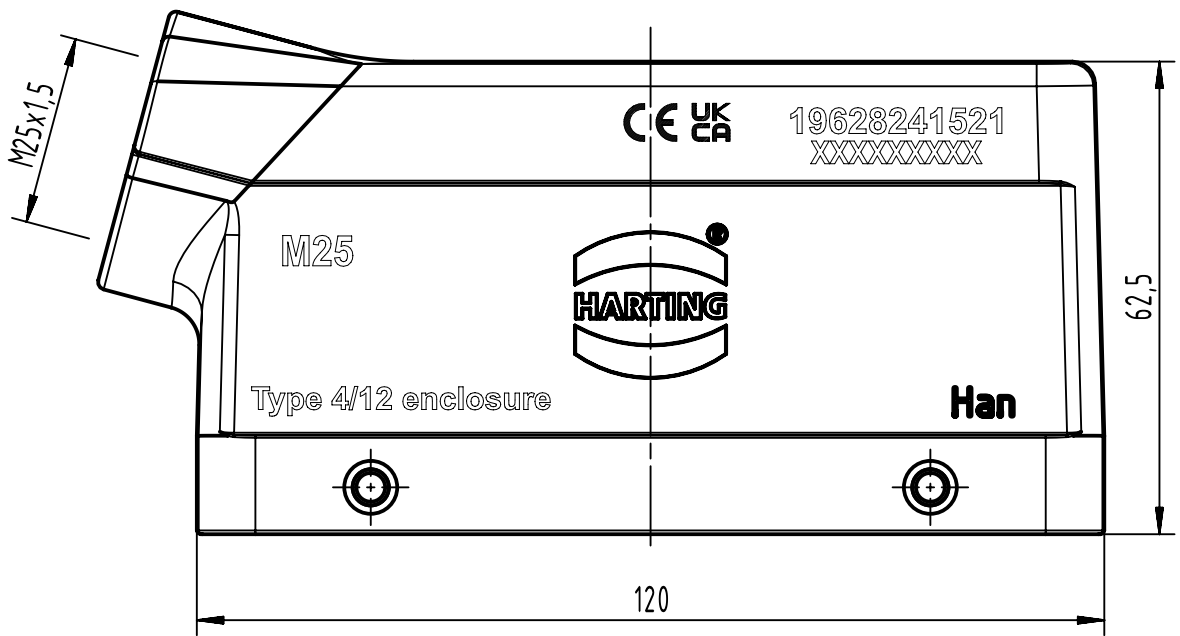
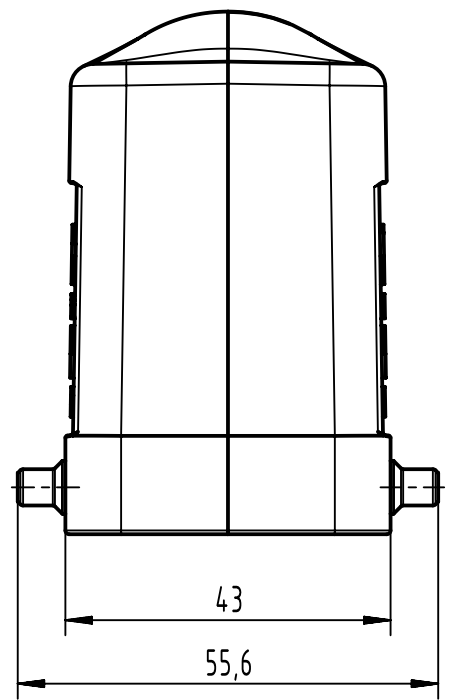


A

B

C

D



| | | | | | | | | |
|------------------------------|--|--|----------------------------------|--------------------------|-----------------|--------------------|--|-------------|
| | All Dimensions in mm Original Size DIN A4 | | Scale 1:1 | Free size tol. | | Ref. | | |
| | | | | | | Sub. | | |
| | All rights reserved | | Created by SPRENB | Inspected by GERB | Standardisation | Date 2023-09-15 | State Final Release | |
| | Department EL PD | | Title Han 24EMV/B-gs-M25 (HT) | | | | Doc-Key / ECM-Nr. 100202170/UGD/004/E 500000251350 | |
| HARTING D-32339 Espelkamp | | | Type TB | Number 19 62 824 1521 | | | Rev. E | Page 1/1 |