

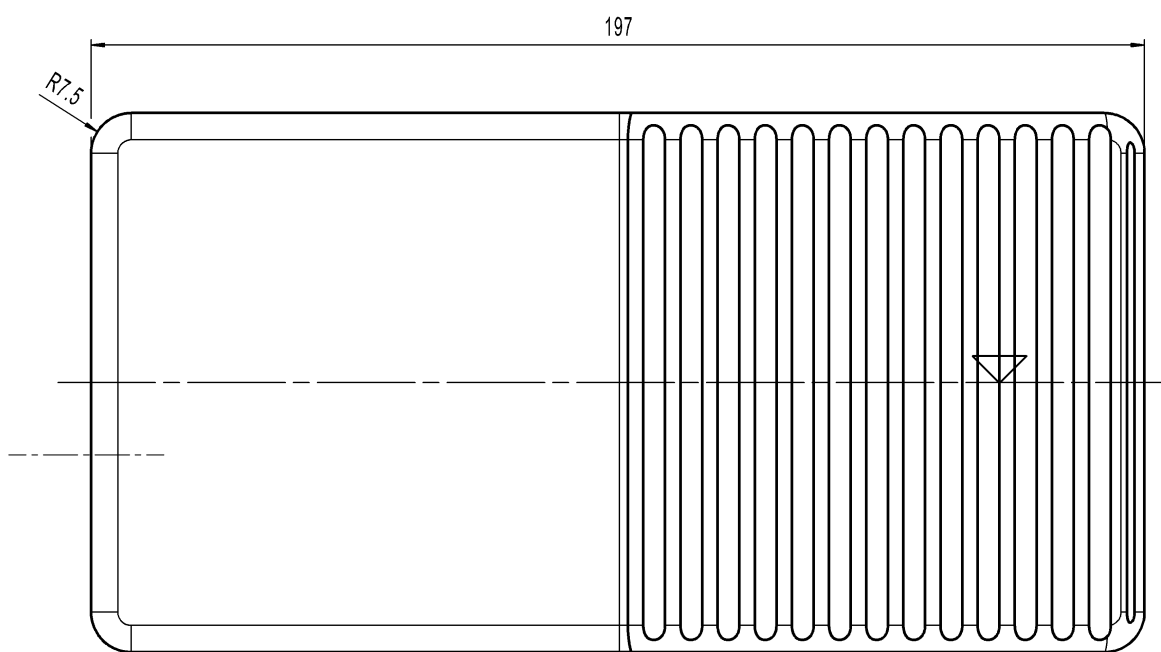
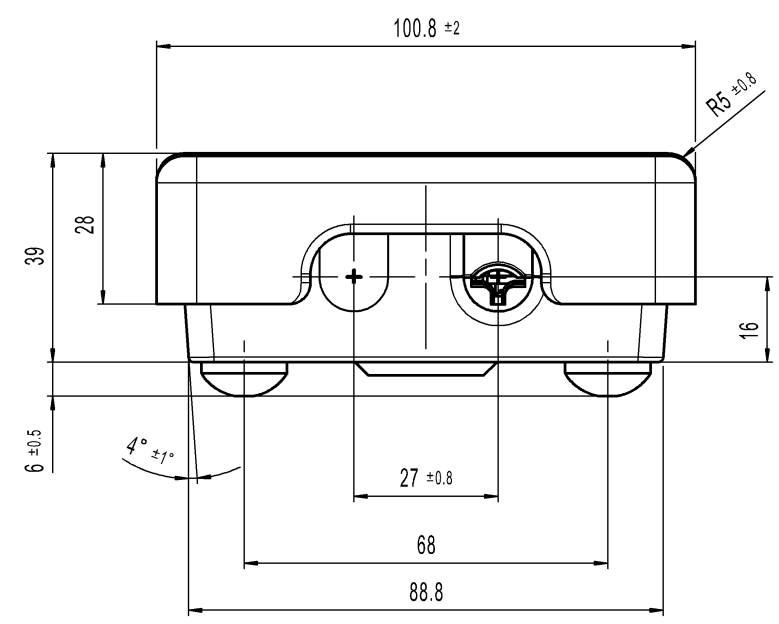
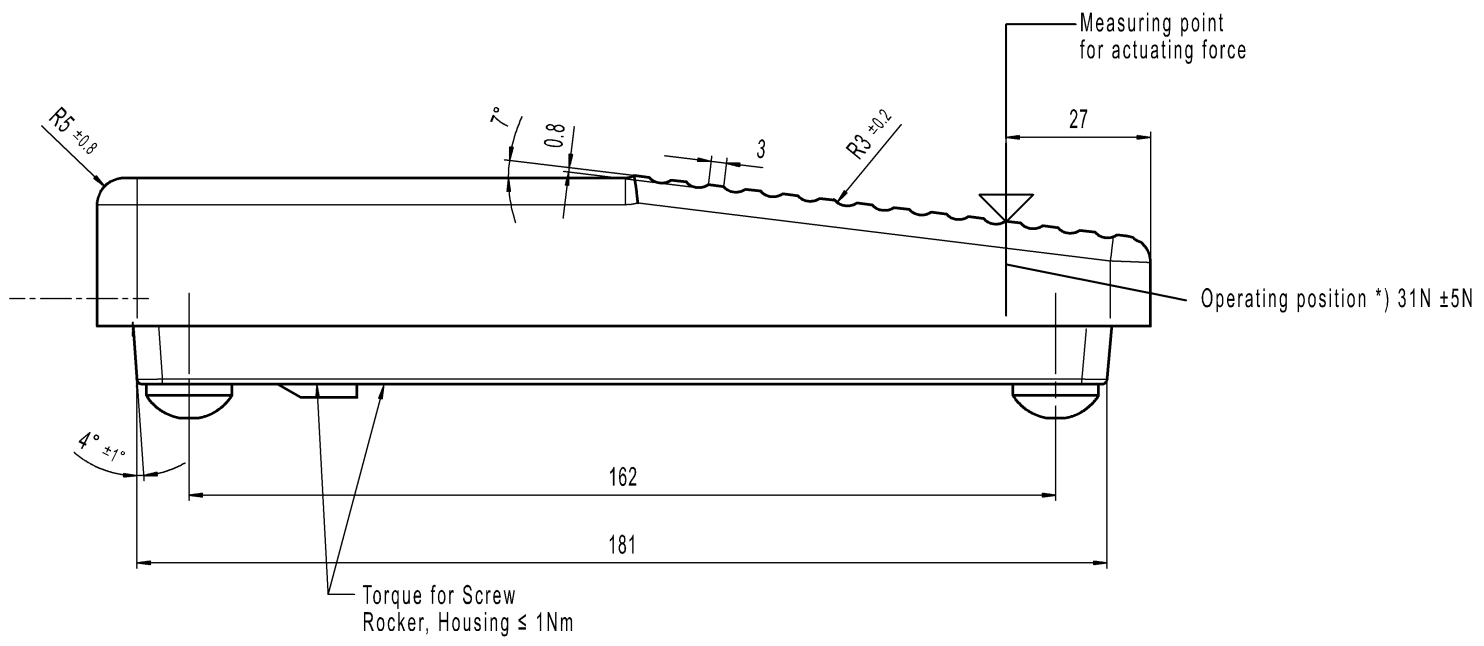
© THIS DRAWING IS THE EXCLUSIVE PROPERTY OF MARQUARDT. WITHOUT THEIR CONSENT, IT MAY NOT BE REPRODUCED OR GIVEN TO THIRD PARTIES.

CONFIDENTIAL

VERTRAULICH

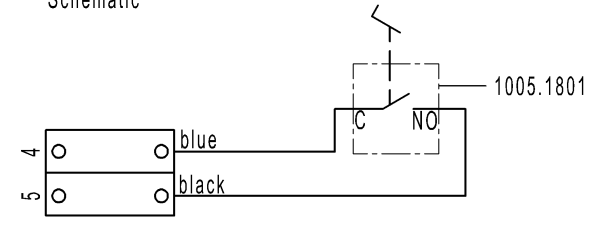
Alle Rechte bei Marquardt, auch hier den Fall von Schutzrechtsverletzungen. Jede Verletzung von Belangen, wie Kopier- und Weitergaberecht, bei uns.

©



Upper part and bottom part:
Material: Polyamide
Color: black, similar RAL 9011

Schematic

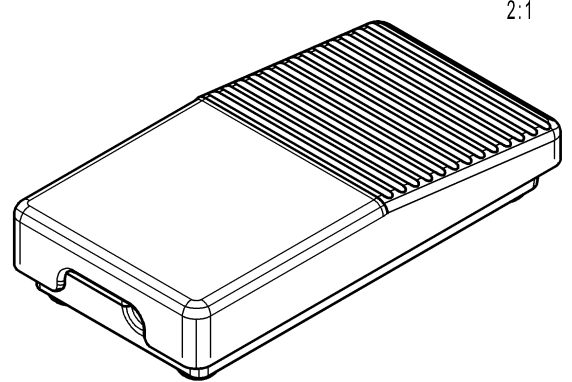


Single pole normally open

Marking

© MARQUARDT
2410.0301 μ
6(2.5)/250~50E3

Schematic



Operating position at the travel of (measured at start position) ~ 8 mm measured at outer edge of upper part

-		-		-		2410.0301-XX							
Figure		Type		Customer No.		Art.No.-PI							
General tolerances				Sheet 01		Ident. Document number Index							
All dimensions are in millimetres	Shape and location ⊙ ≡	Angle ± 2°	Edge tolerance 	Length	Radii	Format DIN A2	Projection	Scale 1:1	System NX V11.0	Replacement of Zg.gl.Nr.v.23.07.1997	K 24100301 g	Foot Pressure Switch	
				0-6	± 0.15								±
				>6-15	± 0.1								±
				>15-30	± 0.1								±
>30-70	± 0.15	±											
>70-120	± 0.2	±											
>120	± 0.25	±											
g	131778	2020-11-09	THAKARES	-		-		-		-			
f	30220	2000-09-28	PFU	-		-		-		-			
e	23889	1996-05-08	MOO	-		-		-		-			
d	23493	1984-04-26	VN	-		-		-		-			
Index	MEC-No.	Date (YYYY-MM-DD)	Edited by	-		-		-		-			

