

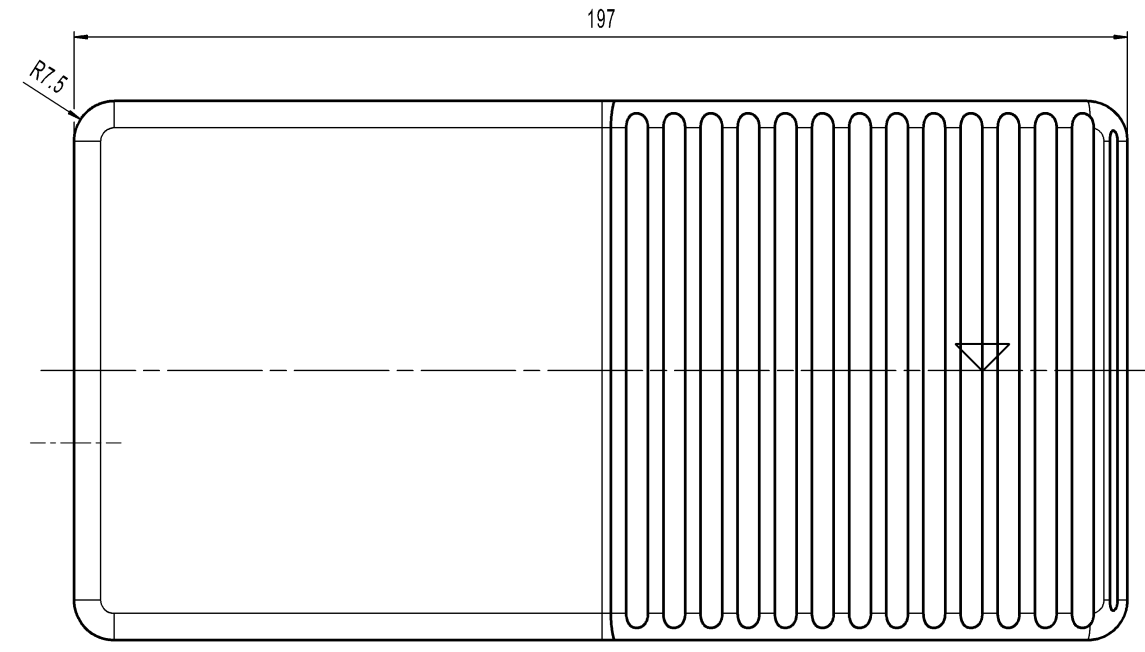
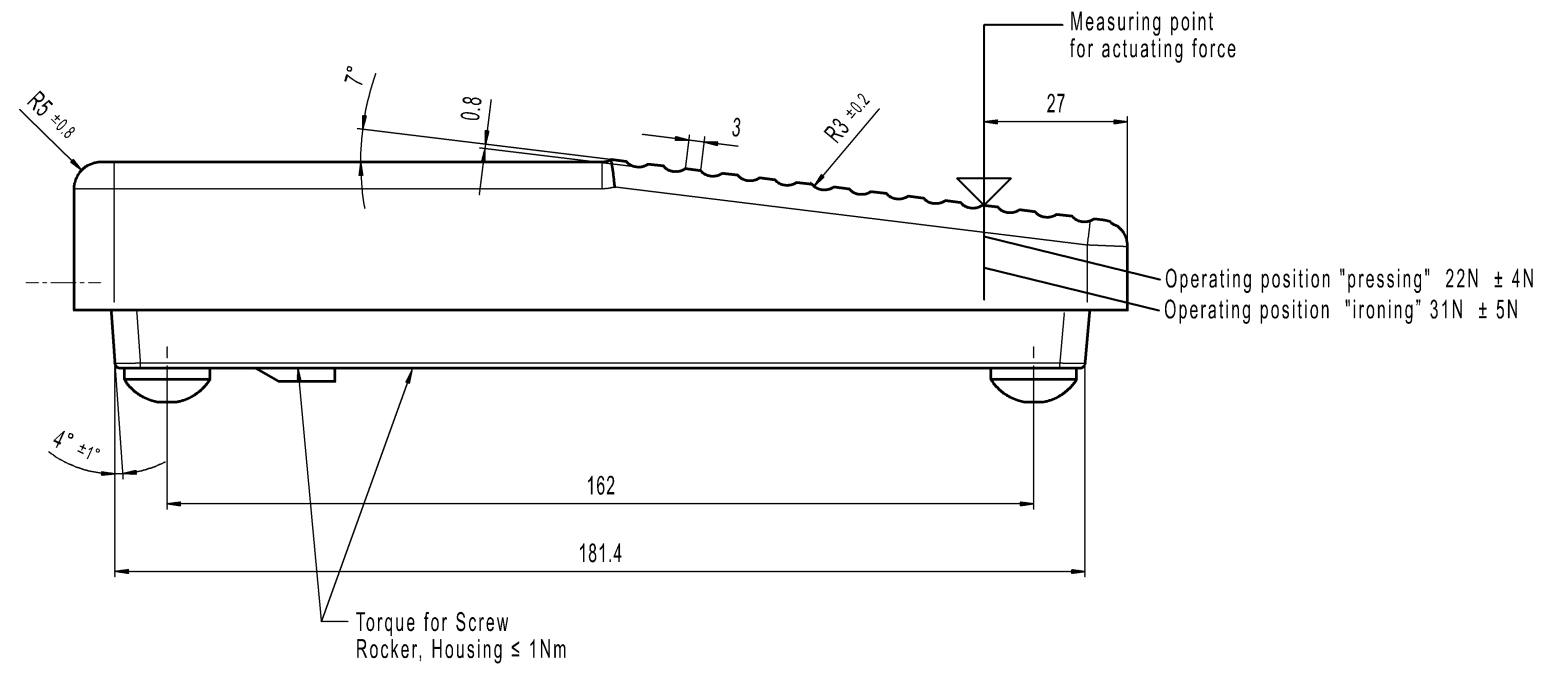
THIS DRAWING IS THE EXCLUSIVE PROPERTY OF MARQUARDT. WITHOUT THEIR CONSENT, IT MAY NOT BE REPRODUCED OR GIVEN TO THIRD PARTIES.

CONFIDENTIAL

VERTRAULICH

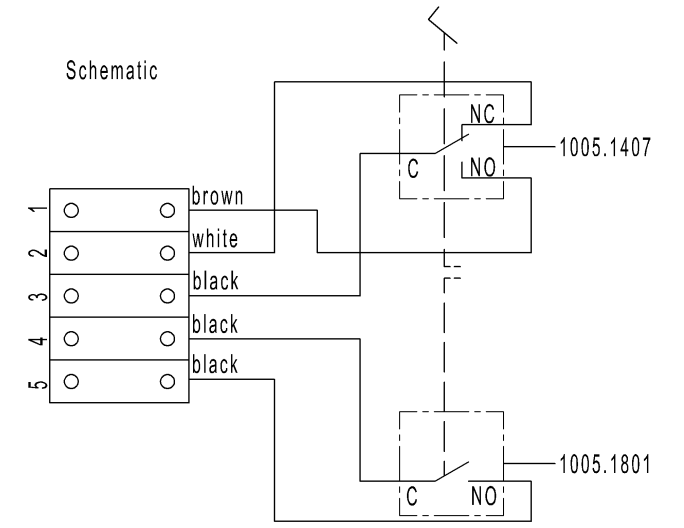
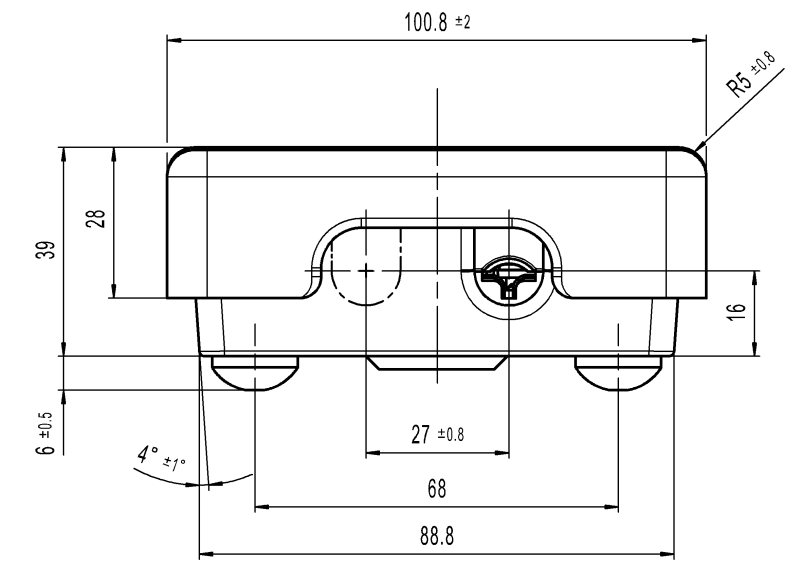
Alle Rechte bei Marquardt, auch hier den Fall von Schutzrechtsverletzungen. Jede Verletzungsbiligung, wie Kopier- und Weitergaberecht, bei uns.

©



Upper part and bottom part
Material: Polyamide
Color: black, similar RAL 9011

Operating position „pressing“ (Measured at start position) ≈ 2.3mm
Operating position „ironing“ (Measured at start position) ≈ 8mm } Measured at outer edge of upper part

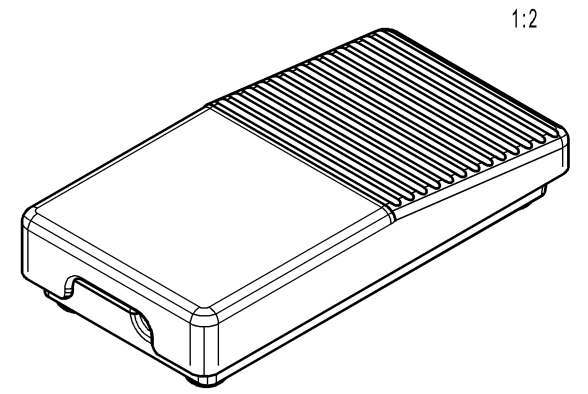


Single pole change-over
Single pole normally open

Marking

© MARQUARDT
2410.0501 μ
6(2.5)/250-50E3

Schematic



-		-		2410.0501-XX		
Figure	Type	Customer No.		Art.No.-PI		
General tolerances				Sheet	01	
All dimensions are in millimetres	Shape and location ☉ ≡	Angle ± 2°	Edge tolerance 	Length	Radii	
				0-6	± 0.15	±
				>6-15	± 0.2	±
				>15-30	± 0.3	±
				>30-70	± 0.5	±
>70-120	± 0.7	±				
>120	± 1.0	±				
h	131778	2020-11-09	THAKARES	Format	A2	
g	41282	2004-10-13	BZ	Projection	1:1	
f	30220	2000-09-28	PFU	Scale	1:1	
e	23889	1996-05-08	MOO	System	NX V11.0	
Index	MEC-No.	Date (YYYY-MM-DD)	Edited by	Replacement of Zg.gl.Nr.v.28.04.1995		
Ident.			Document number	Index		
K			24100501	h		
Foot Pressure Switch						