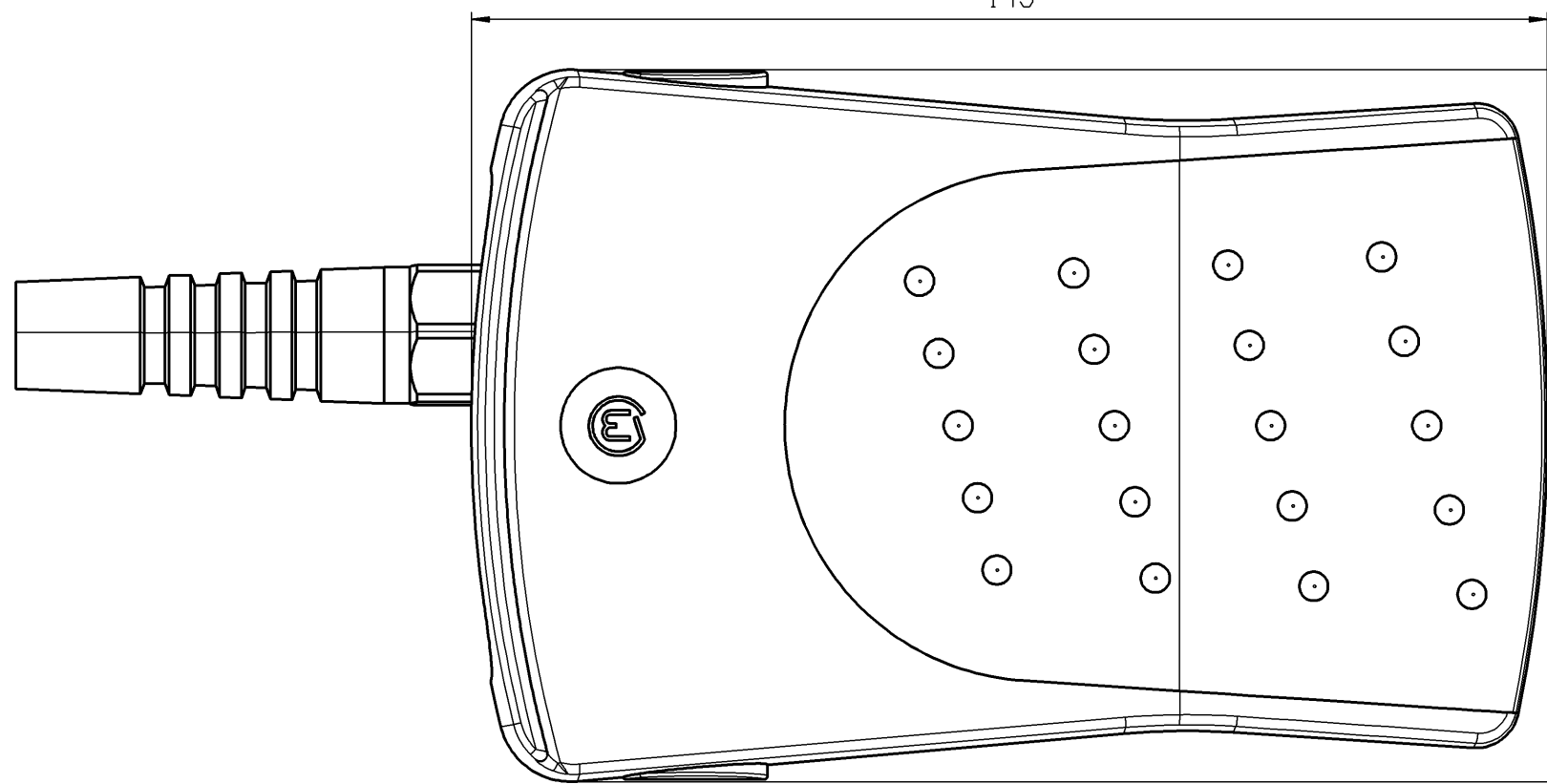
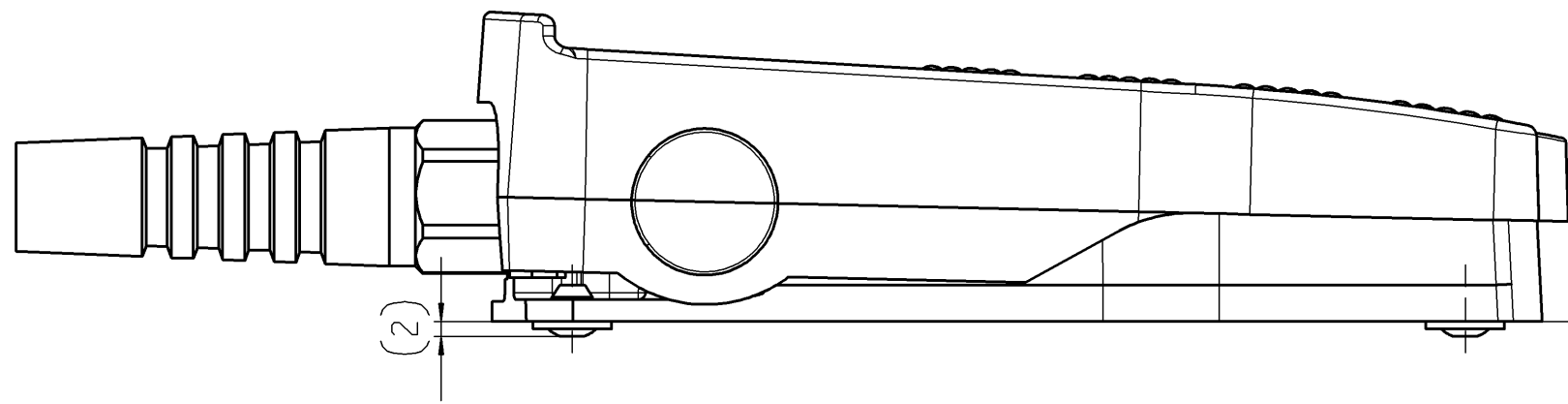



THIS DRAWING IS THE EXCLUSIVE PROPERTY OF MARQUARDT. WITHOUT THEIR CONSENT IT MAY NOT BE REPRODUCED OR GIVEN TO THIRD PARTIES.

CONFIDENTIAL

VERTRAULICH

Alle Rechte bei Marquardt, auch fuer den Fall von Schutzrechtsanmeldungen. Jede Veruegungsbefugnis, wie Kopier- und Weitergaberecht, bei uns.

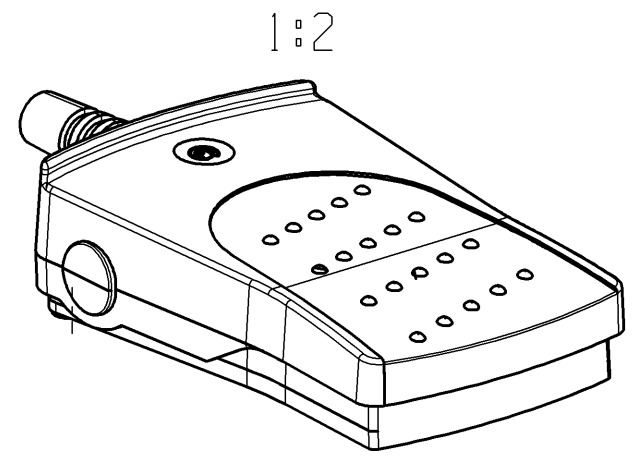


Aufschrift:
Marking:
 Ⓜ 2420.0501
 14(4) / 250 ~ μ 50E3
 10
 Herstellungsdatum:
 Herstellort/ -jahr/ -woche/ -tag
 nach Marquardt Standard
 Date code of manufacture:
 plant / year / week / day
 acc. to Marquardt standard

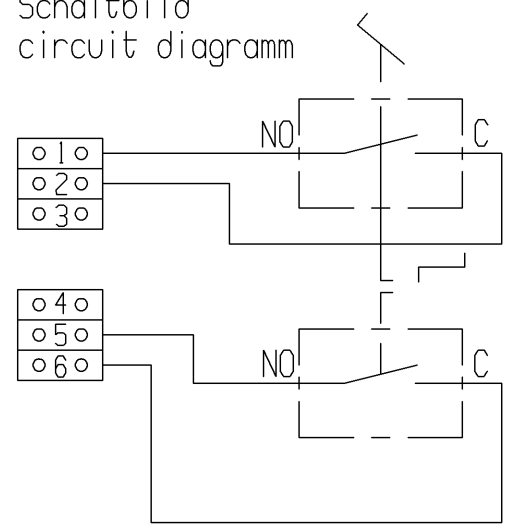
16.9 ± 2
 18.6 ± 2
 21.9 ± 2
 25 ± 2
 Ruhestellung
 free position
 Schalterpunkt 1
 operating position 1
 Schalterpunkt 2
 operating position 2
 Endstellung
 total travel position


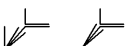

Kraft in Ruhestellung
 force in free position 24 N ± 10 N
 Kraft an Schalterpunkt 1
 force at operating position 1 29 N ± 10 N
 Kraft an Schalterpunkt 2
 force at operating position 2 51 N ± 35 N
 Kraft in Endstellung
 force at total travel position 89 N ± 35 N

Beigelegte Bedienungsanleitung beachten
 Please observe user manual for further information



Schaltbild
 circuit diagram



-		-		-		2420.0501-XX		
Figure	Type			Customer No.		Art.No.-PI		
All dimensions are in millimetres	General tolerances			Sheet 01		Ident. K	Document number 24200501	
	Shape and location	Angle ± 2°	Edge tolerance	Length	Radii	Format DIN A3	Projection 	
				0-6 ± 0.15 ± 0.2	>6-15 ± 0.2 ± 0.3			
	⊙ ≡	± 2°		>15-30 ± 0.25 ± 0.5	± 10%	Scale 1:1	foot switch	
				>30-70 ± 0.4			System NX V11.0	
>70-120 ± 0.6				Replacement of V09111330				
>120 ± 0.8								
d	123519	2019-06-12	TRIGUIK					
c	74959	2011-08-25	FRT					
b	73342	2011-04-19	HHE					
a	71861	2011-02-01	FRT					
Index	MEC-No.	Date (YYYY-MM-DD)	Edited by					