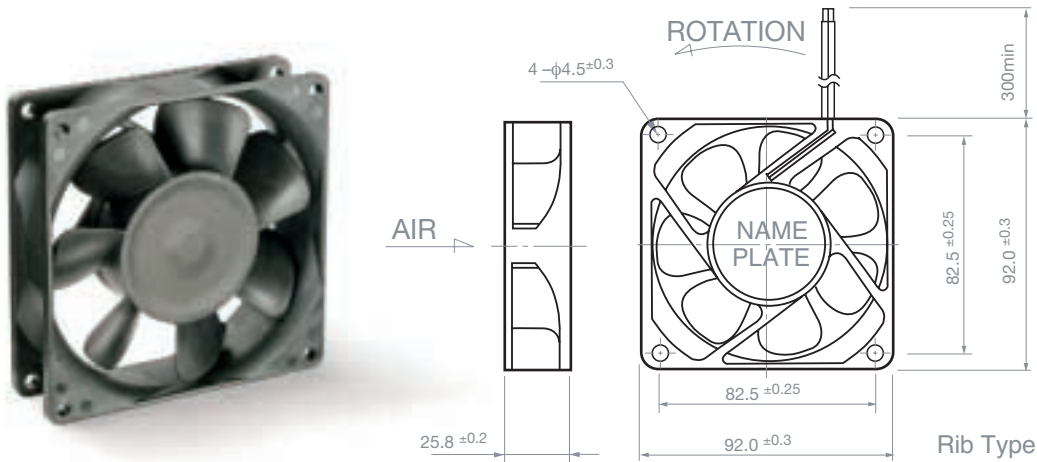
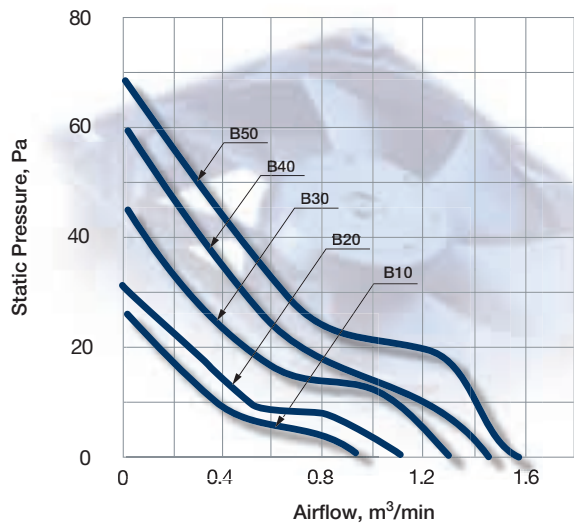


3610NL SERIES DC AXIAL FAN



Specification Data:

- **Dimensions/Type:** 92mm □ x 25mm Axial Fan
- **Motor Protection:** Auto Restart/Reverse Polarity Protection
- **Temperature Range:** -10°C ~ +70°C (Operating)
-40°C ~ +70°C (Storage)
- **Material:** Casing: Plastic (Black) 94V-0
Impeller: Plastic (Black) 94V-0
- **Lead Wire:** UL1007, AWG24, +Red, -Black
- **Weight:** 160g
- **Rotation Direction:** Counterclockwise
- **Airflow Direction:** Out Over Support Struts



Model	Product No.	Rated Voltage (VDC)	Voltage Range	Current (A)	Input Power (W)	Speed (RPM)	Max. Airflow (m³/min)	Max. Static Pressure (Pa)	Noise (dBA)
3610NL-04W-B10-	X00	12	6.0~13.8	0.1	1.20	2100	0.93	25.5	28.0
3610NL-04W-B20-	X00	12	6.0~13.8	0.13	1.56	2400	1.08	31.4	30.5
3610NL-04W-B30-	X00	12	6.0~13.8	0.18	2.16	2800	1.28	43.1	35.5
3610NL-04W-B40-	X00	12	6.0~13.8	0.27	3.24	3200	1.52	57.8	39.5
3610NL-04W-B50-	X00	12	6.0~13.8	0.35	4.20	3600	1.65	66.6	41.5
3610NL-05W-B10-	X00	24	10.0~27.6	0.05	1.20	2100	0.93	25.5	28.0
3610NL-05W-B20-	X00	24	10.0~27.6	0.07	1.68	2400	1.08	31.4	30.5
3610NL-05W-B30-	X00	24	10.0~27.6	0.10	2.40	2800	1.28	43.1	35.5
3610NL-05W-B40-	X00	24	10.0~27.6	0.13	3.12	3200	1.52	57.8	39.5
3610NL-05W-B50-	X00	24	10.0~27.6	0.18	4.32	3600	1.65	66.6	41.5