

D-Sub Plastic Hood with Metal inner shielding Can

TECHNICAL SPECIFICATIONS

**Material:**

Plastic Hood: Polyamid - UL-recognised  
 Metal Hood: Steel, Zinc plated

**Operating Temperature:** -55°C to +110°C

**Thumbscrews:** UNC 4-40 (Standard)  
 M2,5 or M3 on request

**Cable Entry:** Top Entry

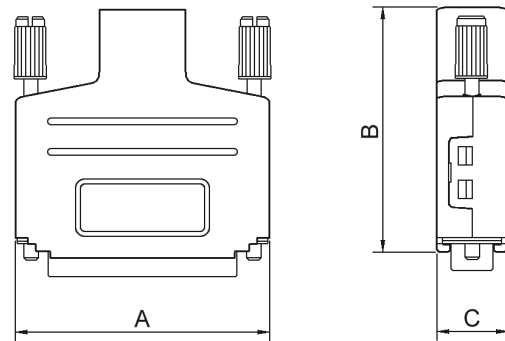
**Cable O.D.:** Up to 12,5mm

**Accessories:** 62-66



**Features:**

- Available in sizes 9-15-25-37
- Suitable for IDC connectors
- Quick-Snap locking system
- Crimping method ensures a 360° shielding
- Standard or Reversed crimp action



Ordering information:

Size:	P/N - Kitted:	Product Code:
9-way	6260-0120-xx	DTK09I-[size] + DTPK09I-JS
15-way	6260-0121-xx	DTK15I-[size] + DTPK15I-JS
25-way	6260-0122-xx	DTK25I-[size] + DTPK25I-JS
37-way	6260-0123-xx	DTK37I-[size] + DTPK37I-JS

Size DTK/DTPK	Dim A	Dim B	Dim C
9-way	35,0	54,0	19,0
15-way	43,0	54,0	19,0
25-way	54,0	53,0	18,0
37-way	74,0	54,0	19,0

Code for correct ferrule:

**Standard Crimp**

Loose Crimp Ferrule      Fixed Ferrule

Example: 6260-0120-01  
 DTK09I-5,3 + DTPK09I-JS

Cable O.D	Size	Order Code xx	Rec. Hood size
Up to 7 mm	5,3	-01	9-15
6,8–8,6 mm	6,0	-02	9-15-25
8,4–9,8 mm	7,0	-03	9-15-25-37
9,6–10,3 mm	7,5	-04	9-15-25-37
10,1–11,0 mm	8,6	-05	15-25-37
10,8–12,5 mm	10,5	-07	25-37

**Reversed Crimp**

Fixed Crimp Ferrule      Support Ferrule

Example: 6260-0120-14  
 DTK09I-R9,0 + DTPK09I-JS

Cable O.D	Size	Order Code xx	Rec. Hood size
Up to 5,1 mm	R5,3	-10	9-15
4,3–6,9 mm	R7,1	-12	9-15-25
7,0–7,9 mm	R8,0	-13	9-15-25-37
6,1–8,8 mm	R9,0	-14	9-15-25-37
8,0–10,3 mm	R10,5	-15	15-25-37
9,5–11,5 mm	R11,7	-16	25-37



**Encitech AB**  
 Rörkullsvägen 4  
 SE-302 41 HALMSTAD, Sweden

Tel.: +46-(0)35-15 13 90  
 Fax: +46-(0)35-15 13 99

[www.encitech.com](http://www.encitech.com)