

## LED Work Light

## CWA

CE

RoHS  
10

UL

FCC

IP65

Indoor  
UseMounting in  
All  
DirectionsAmbient  
Temperature  
-20°C~+60°C

Daylight



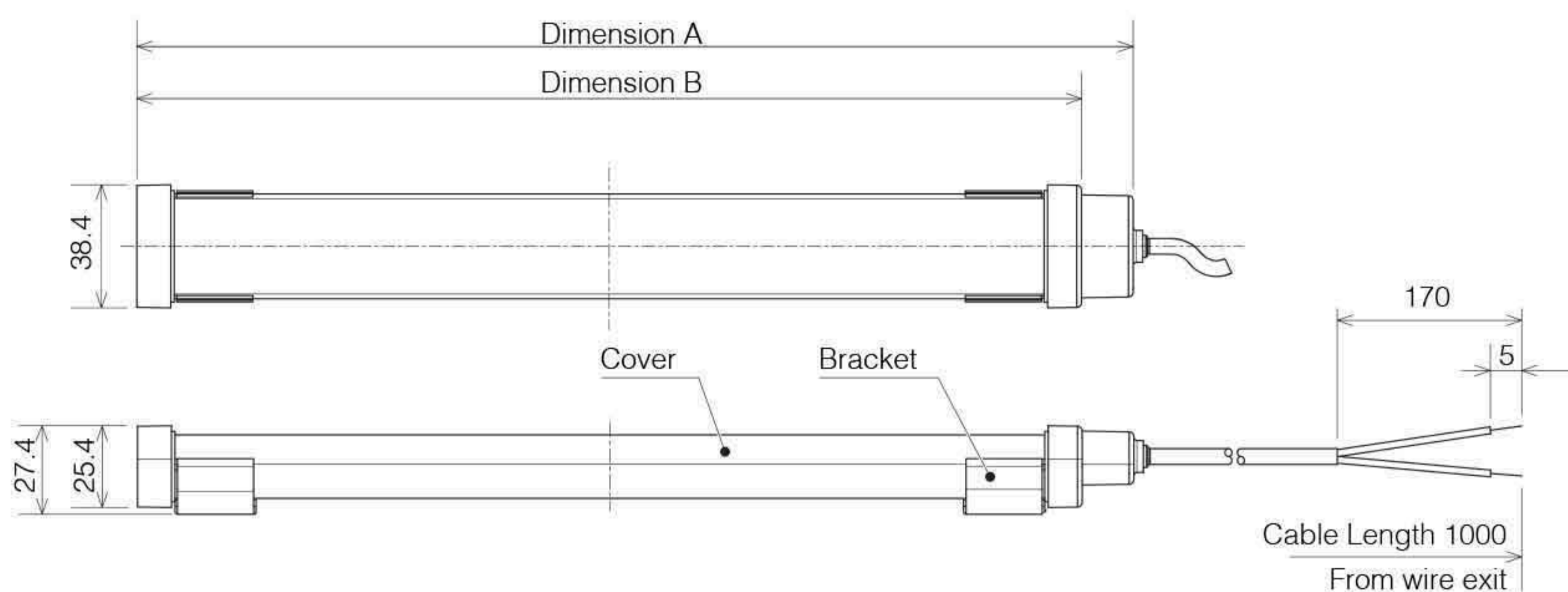
## Model Number Configuration

CWA3S-24-CD

① ② ③ ④

① Length  
3 = 300mm  
6 = 600mm  
9 = 900mm② Connector  
S = Side-exiting Cable③ Rated Voltage  
24 = 24V DC④ Luminous Color  
CD = Daylight

## Dimensions (mm)



| Model Number | Dimension A | Dimension B |
|--------------|-------------|-------------|
| CWA3S-24-CD  | 315.5mm     | 300mm       |
| CWA6S-24-CD  | 621.0mm     | 600mm       |
| CWA9S-24-CD  | 916.5mm     | 900mm       |

## Mounting Brackets

Standard 2 incl.  
Material: Stainless Steel

## Holding Brackets

Standard 2 incl.  
Material: Stainless Steel

## Specification

| Description                        | Length |       |       |
|------------------------------------|--------|-------|-------|
|                                    | 300mm  | 600mm | 900mm |
| Illuminance (@1m, center, typical) | 110lx  | 220lx | 330lx |

## Product List

| Model Number | Rated Voltage | Luminous Color | Power Consumption | Mass    |
|--------------|---------------|----------------|-------------------|---------|
| CWA3S-24-CD  | 24V DC        | Daylight       | 5W                | 0.215kg |
| CWA6S-24-CD  | 24V DC        | Daylight       | 10W               | 0.37kg  |
| CWA9S-24-CD  | 24V DC        | Daylight       | 15W               | 0.53kg  |