

LED Work Light

CWF

CE	RoHS 10	UL	FCC	IP20	Indoor Use
Mounting in All Directions	Ambient Temperature -25°C~+60°C (DC model)	Ambient Temperature -20°C~+50°C (AC model)	Daylight		



Model Number Configuration

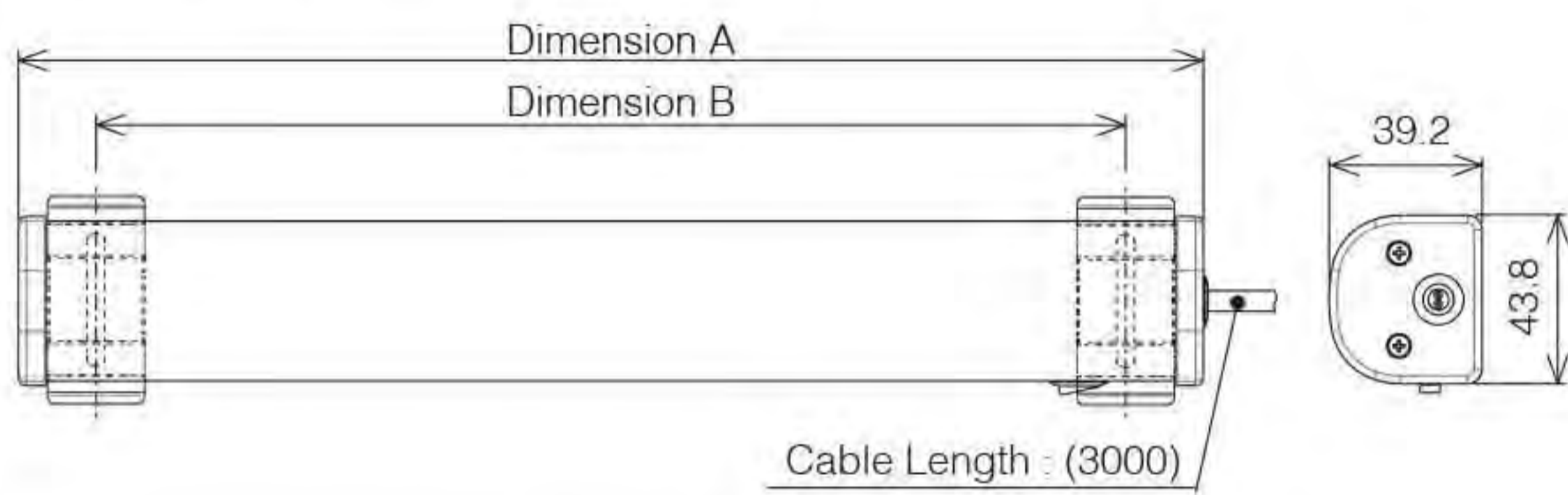
CWF3S-24-CD



- ① Length
3 = 300mm
6 = 600mm
9 = 900mm*1
 - ② Rated Voltage / Standards
24 = 24V DC / UL, CE*2
M2U = 100-240V AC / UL
 - ③ Luminous Color
CD = Daylight
- *1.AC Type only *2.CWF [3S] [6S] type only

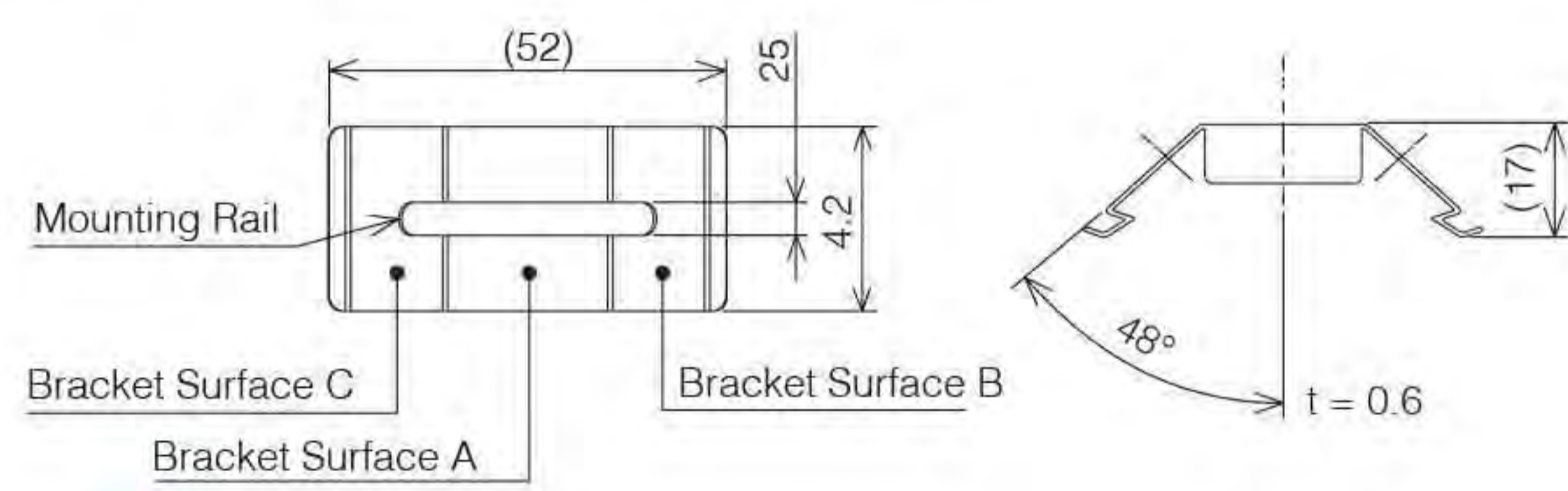
Dimensions (mm)

LED Work Light



Model Number	Dimension A	Dimension B
CWF3S-□-CD	300	260
CWF6S-□-CD	600	560
CWF9S-□-CD	900	860

CWF Standard Mounting Bracket (2 pcs)



Optional Parts

For details refer to P. 93 to P. 98

Product Description	Model Number
Swivel Bracket	CWF-001
Magnetic Mounting Bracket	CWF-002

Specification

Description	Voltage Type	Length		
		300mm	600mm	900mm
Illuminance (@1m, center, typical)	DC	165lx	320lx	-
	AC	150lx	320lx	445lx

Product List

Model Number	Rated Voltage	Luminous Color	Power Consumption	Mass
CWF3S-24-CD	24V DC	Daylight	5W	0.42kg
CWF6S-24-CD	24V DC	Daylight	10W	0.57kg
CWF3S-M2U-CD	100-240V AC	Daylight	5W	0.53kg
CWF6S-M2U-CD	100-240V AC	Daylight	10W	0.68kg
CWF9S-M2U-CD	100-240V AC	Daylight	15W	0.84kg