

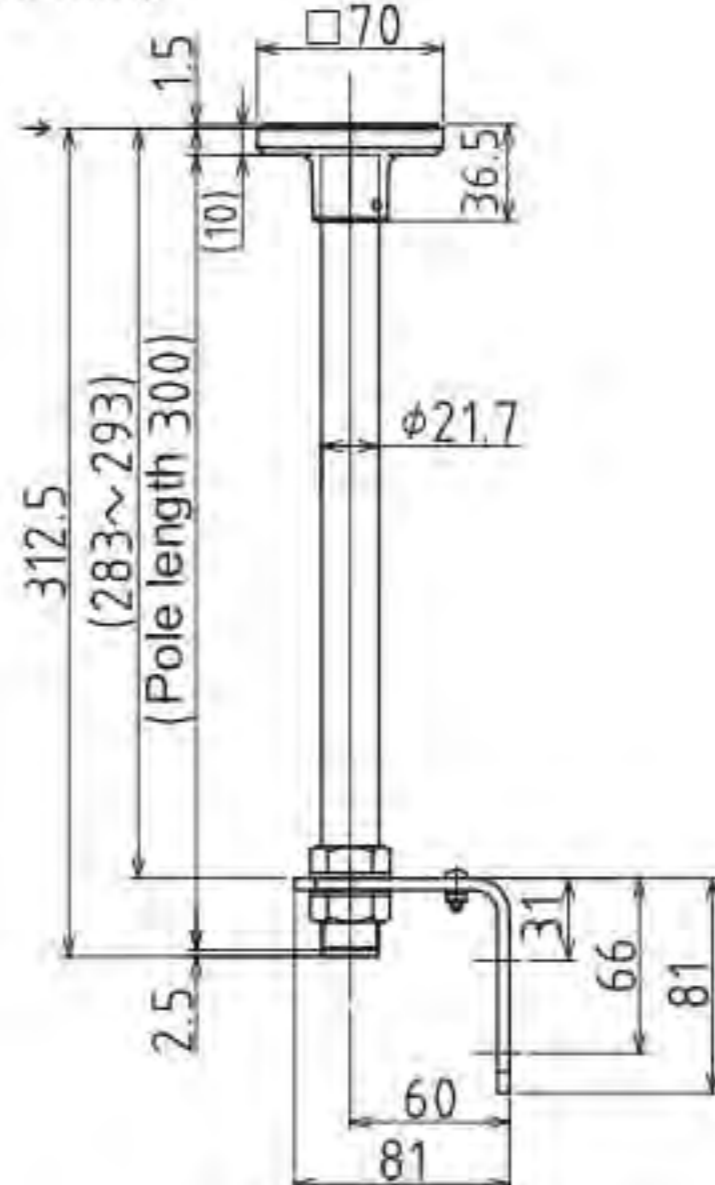
Poles and Pole Assemblies

70 mm



SZ-40L Compatible products KUS

■ Mounting dimensions (Unit: mm)



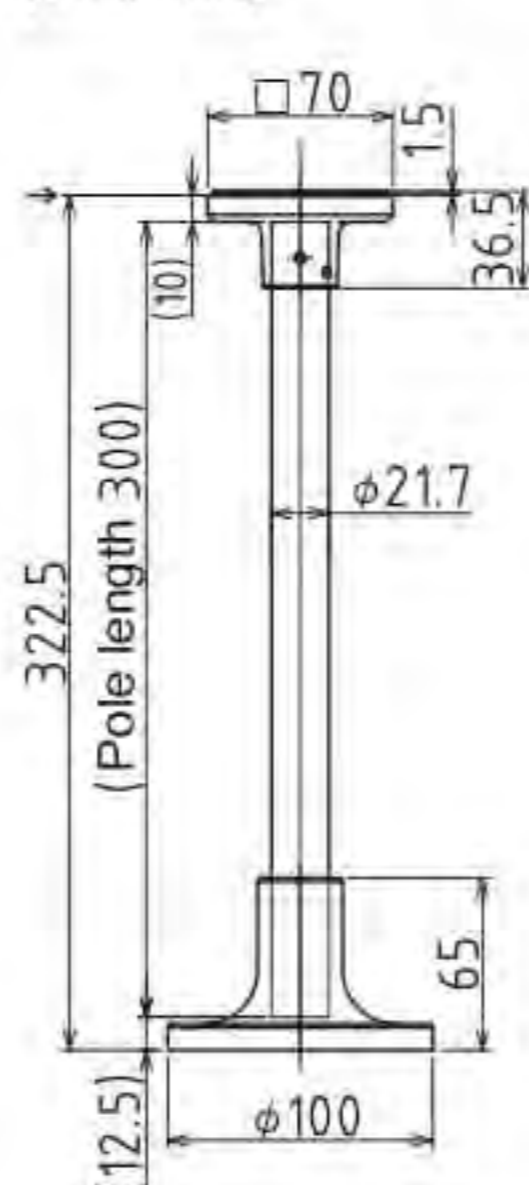
Materials: ADC12, Carbon Steel Tubes for Machine Structural Purposes 11 type A, SPHC, EPT

RoHS 10



SZ-40T Compatible products KUS

■ Mounting dimensions (Unit: mm)



Circular mount SZ-010 type included
Materials: ADC12, Carbon Steel Tubes for Machine Structural Purposes 11 type A, SPHC, EPT

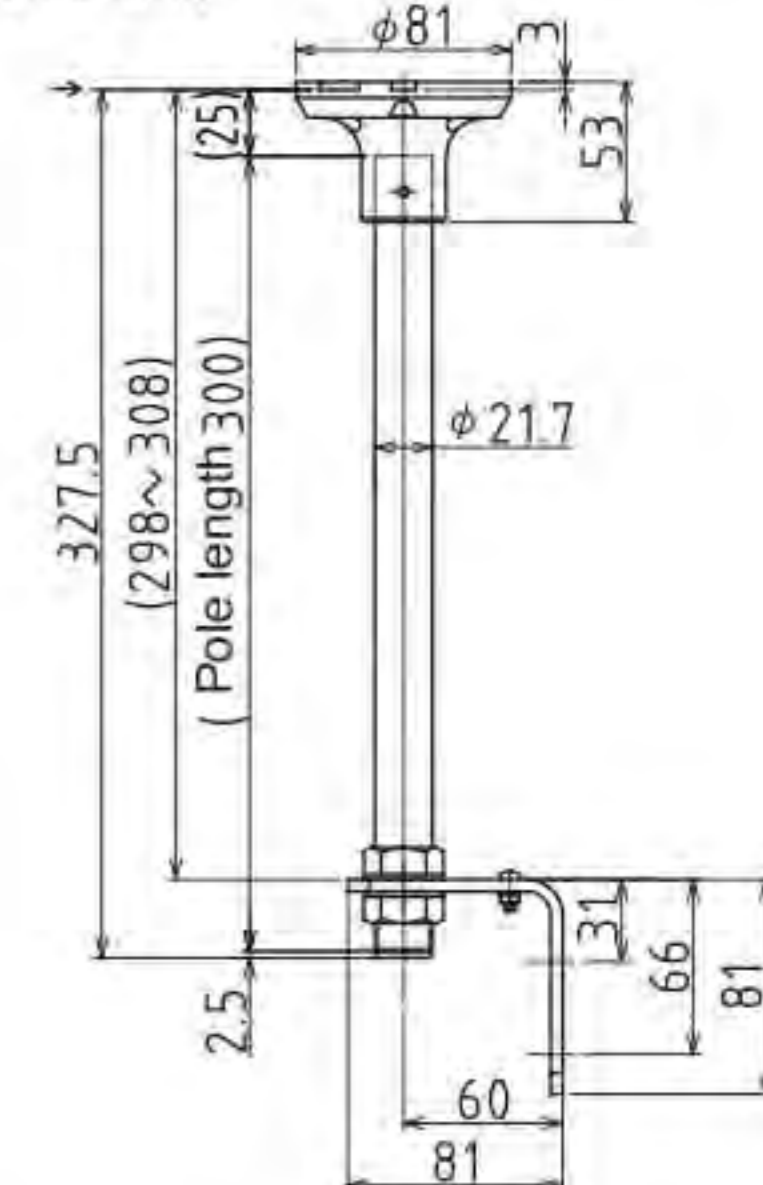
RoHS 10

φ81 mm



SZ-30L Compatible products SKH-EA

■ Mounting dimensions (Unit: mm)



Materials: ADC12, Carbon Steel Tubes for Machine Structural Purposes 11 type A, SPHC, EPT

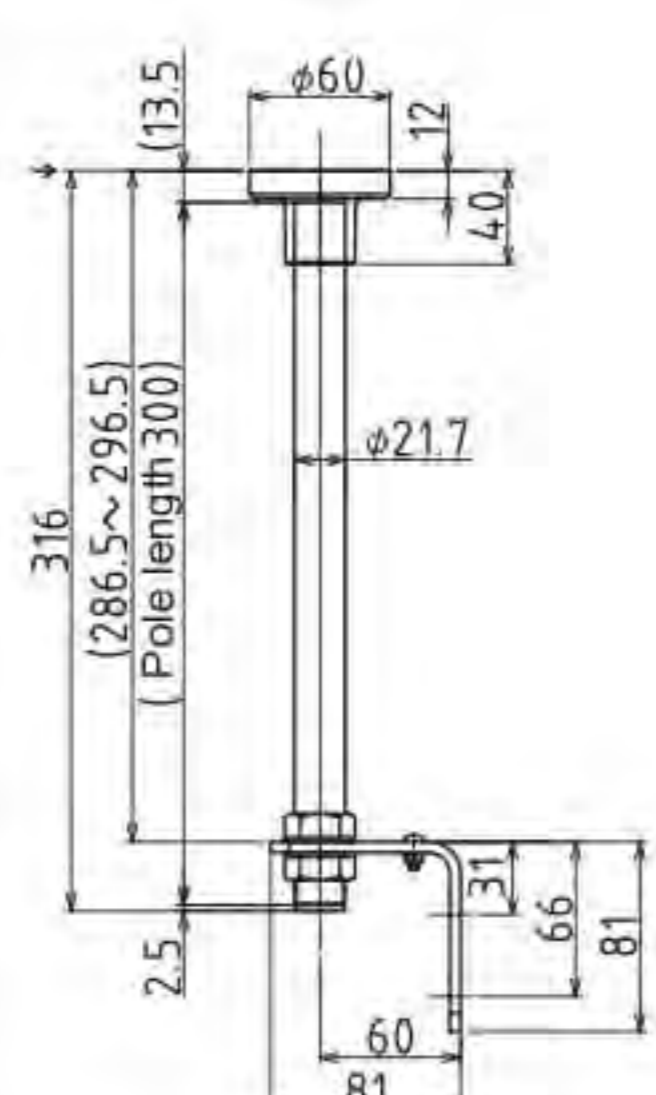
RoHS 10

φ60 mm



SZ-70L Compatible products LA6

■ Mounting dimensions (Unit: mm)



Materials: ADC12, Carbon Steel Tubes for Machine Structural Purposes 11 type A, SPHC, EPT

RoHS 10

Steel Pole



Materials: carbon steel pipes for ordinary piping

RoHS 10

22POLE-300 Compatible products LA6

22POLE-500 Compatible products LA6

22POLE-1000 Compatible products LA6

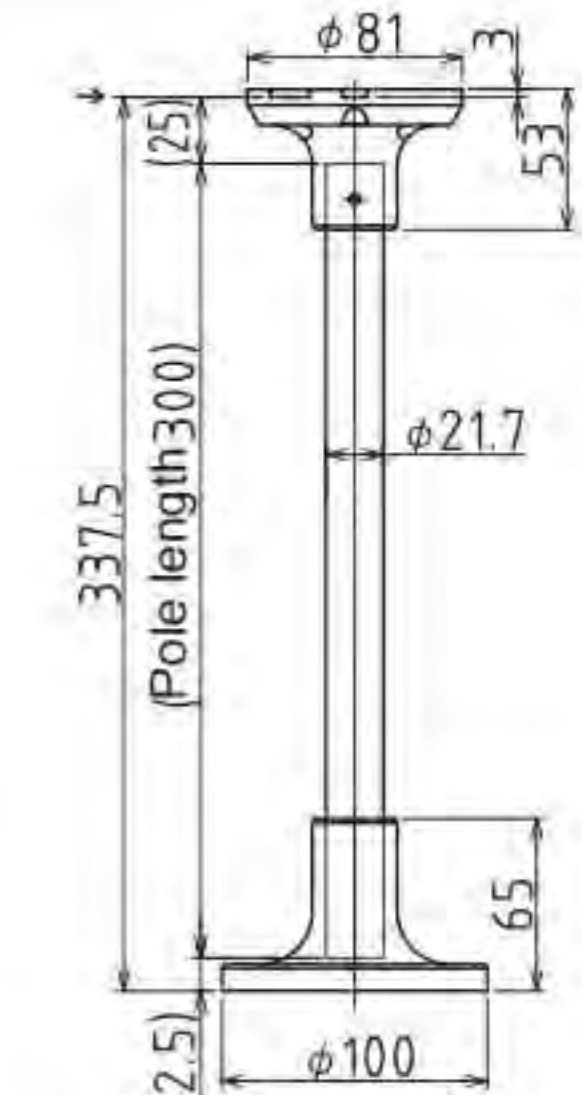
SZ-30T Compatible products SKH-EA



Circular mount SZ-010 type included
Materials: ADC12, Carbon Steel Tubes for Machine Structural Purposes 11 type A

RoHS 10

■ Mounting dimensions (Unit: mm)

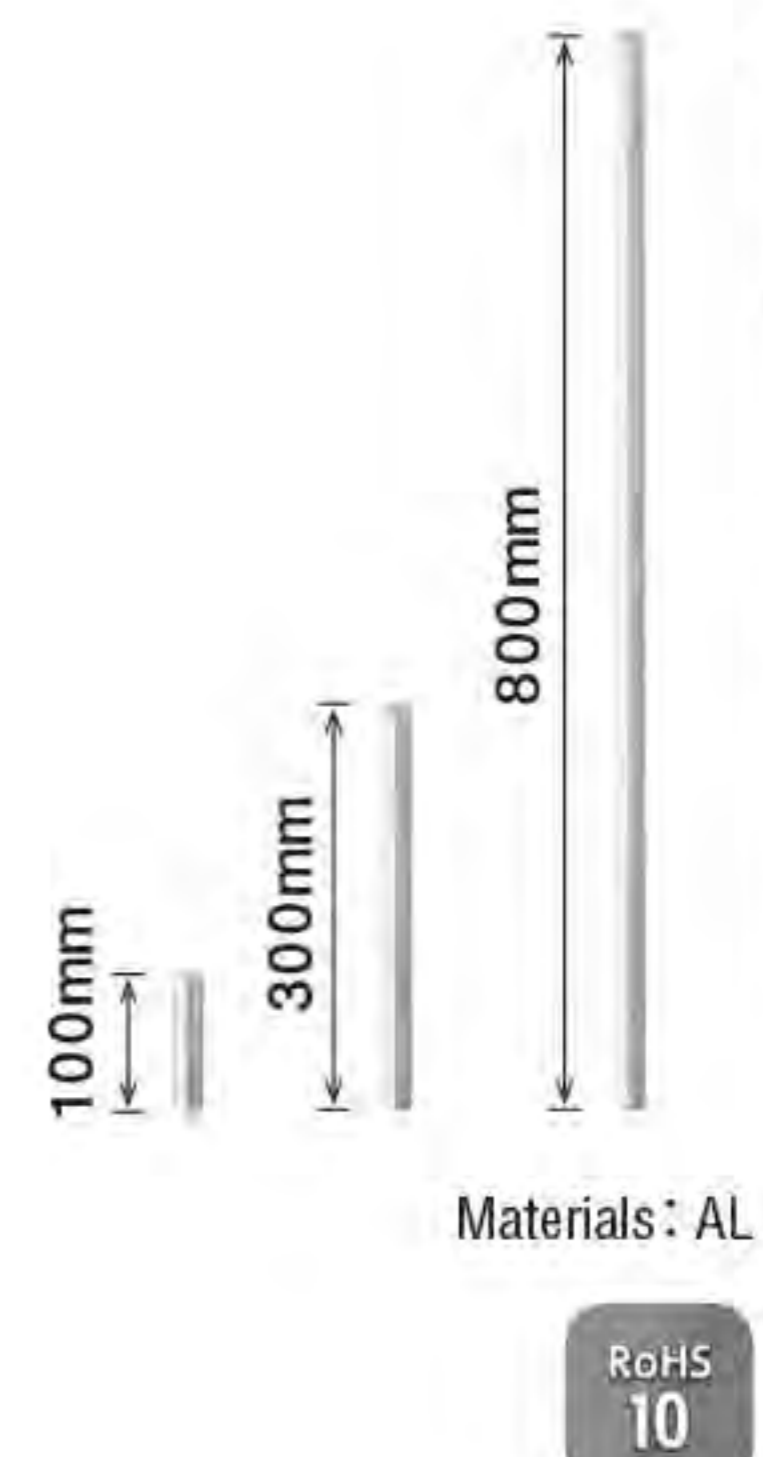


Aluminum Pole (Bind tapping screw for affixing pole (2 screws) included)

*When cutting the poles, do not cut with pole cutters. Use a fret saw, power saw, or jigsaw.
*If changing from direct mounting specifications to pole mounting specifications, please purchase pole brackets together with the aluminum pole.

N type	100mm	Type: POLE22-0100AN(K)	T type	100mm	Type: POLE22-0100AT
	300mm	Type: POLE22-0300AN(K)		300mm	Type: POLE22-0300AT
	500mm*	Type: POLE22-0500AN	Nut included	500mm	Type: POLE22-0500AT
NK type	800mm*	Type: POLE22-0800AN(K)		800mm	Type: POLE22-0800AT
	1000mm*	Type: POLE22-1000AN		1000mm	Type: POLE22-1000AT

*Compatible brackets: SZK-001U, SZP-002U, SZ-010 *We accommodate pole lengths other than the above as custom orders.
Compatible pole lengths: 150mm, 200mm, 250mm, 350mm, 400mm, 450mm, 600mm, 700mm, 900mm



Materials: AL

RoHS 10

POLE-800A21+00109

Compatible products SZP-004W

POLE-300A21+00109

Compatible products SZP-004W

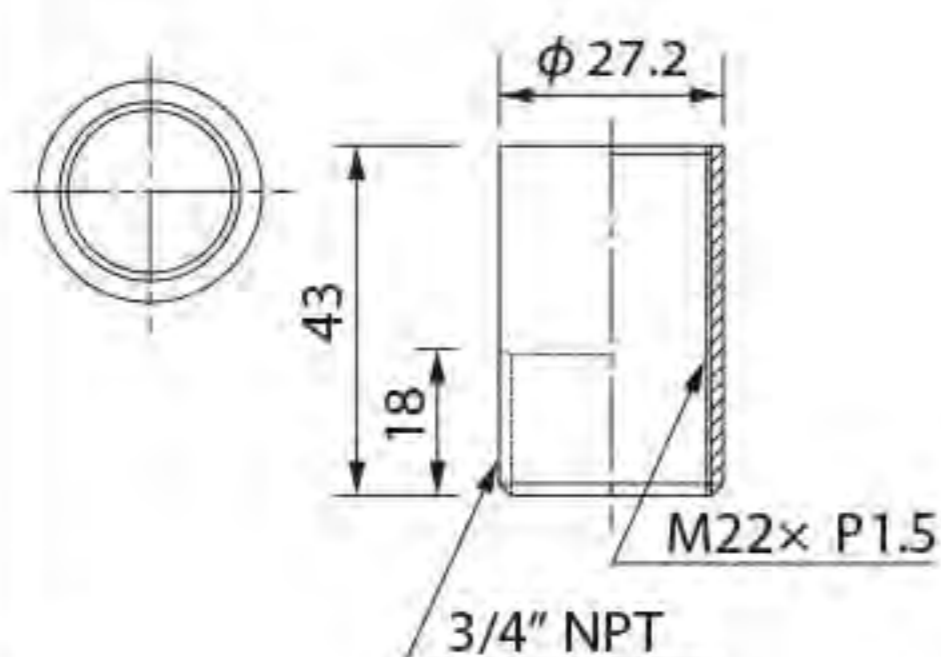
POLE-100A21+00109

Compatible products SZP-004W

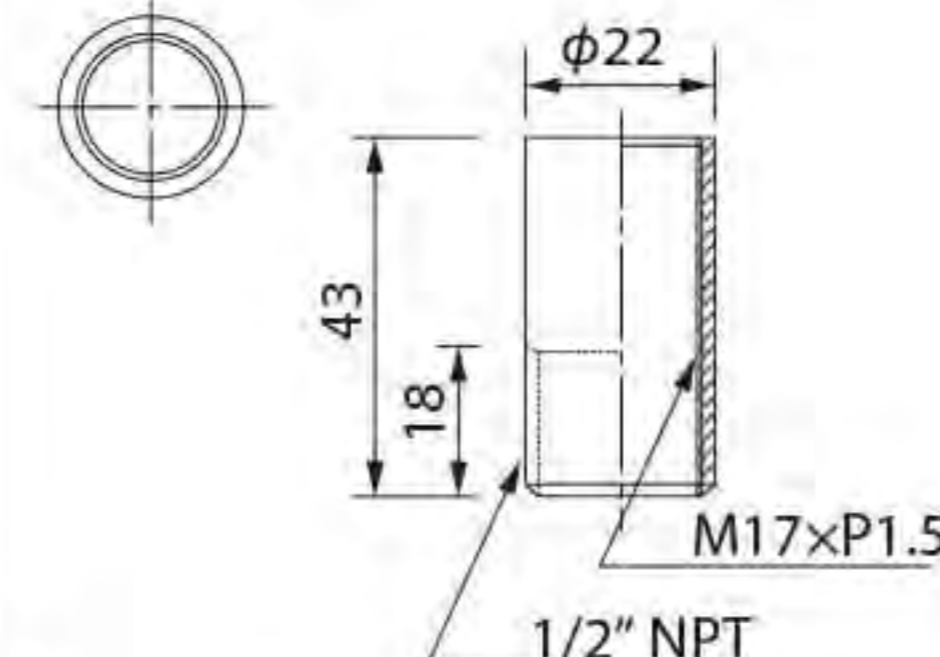
NPT Adaptor



SZ-904



SZ-903

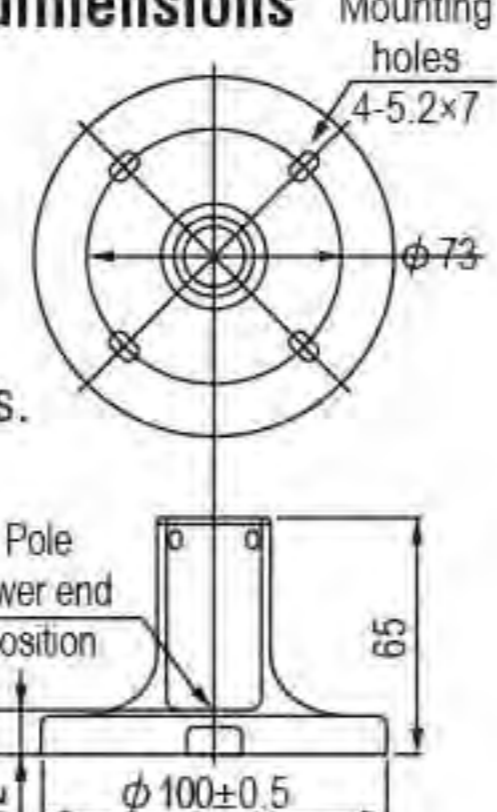


Pole Bracket



SZ-010 (For φ21.7 Pole)

■ Mounting dimensions (Unit: mm)



Compatible products LA6 / LR6-USB / WDB

*The cable cannot be laid out sideways.

Corresponding pole POLE22-AN POLE22-AT POLE-A21

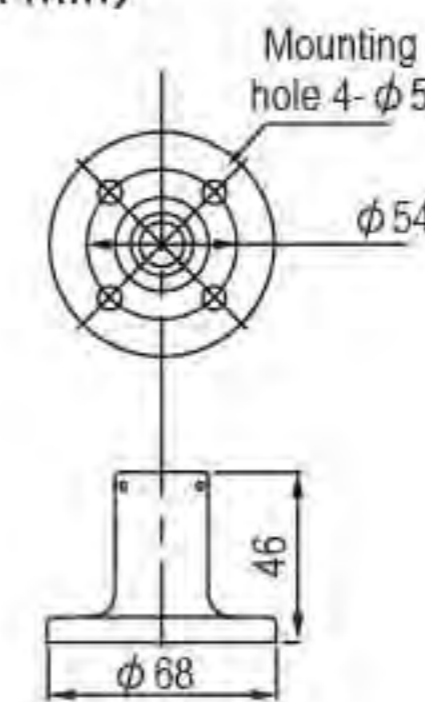
Material: ADC12

RoHS 10



SZ-016A (For φ21.7 Pole)

■ Mounting dimensions (Unit: mm)



Compatible products LA6 / LR6-USB / WDB

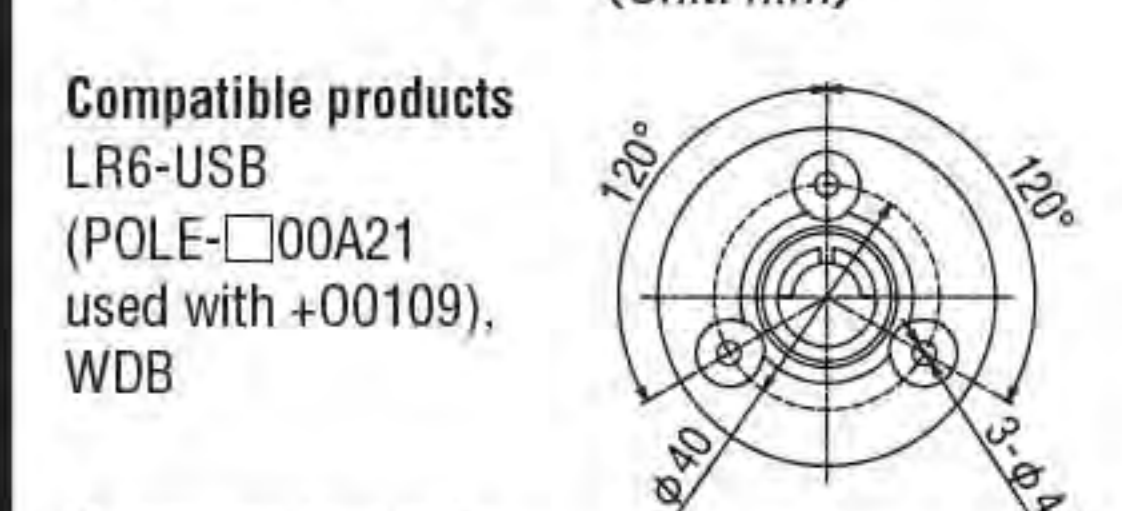
Corresponding pole POLE-A21

Material: ADC12

RoHS 10



SZP-004W Mounting dimensions (Unit: mm)



Compatible products LR6-USB (POLE-□00A21 used with +00109), WDB

Corresponding pole POLE-A21

Materials: ADC

RoHS 10

SPECIFICATIONS

1. General Specifications

Model	POLE22-0100AN(K)	POLE22-0300AN(K)	POLE22-0500AN	POLE22-0800AN(K)	POLE22-1000AN
Applicable Models	List in the website http://www.patlite.com/				
Applicable Optional Parts					
Mounting Location	Indoor Only				
Mass (Tolerance ±10%)	0.05kg	0.15kg	0.26kg	0.42kg	0.52kg
	(No Accessories)				
Outer Dimensions	Refer to the 3.Outer Dimensions				
Remarks	There are no contents of controlled substances exceeding the threshold for the RoHS				

2. Model Number Configuration

	Model		Pole length		Color
POLE	POLE22	-	↓	AN	↓
			Pole length		Color
			0100 100mm		Blank Silver
			0300 300mm		K Black ※
			0500 500mm		
			0800 800mm		
			1000 1000mm		
					※ Pole length 0100/0300/0800 only

3. Outer Dimensions

POLE22-□AN(K)

Color
POLE22-□AN : Silver
POLE22-□ANK : Black

(Unit:mm)

No.	Name	Material
1	Pole	AL

Accessory	
Binding Head Tapping Screw(M3×12) 2pcs.	

POLE22-0100AN(K) : 100
POLE22-0300AN(K) : 300
POLE22-0500AN : 500
POLE22-0800AN(K) : 800
POLE22-1000AN : 1000

POLE22-0300AN-W18D

PATLITE Corporation