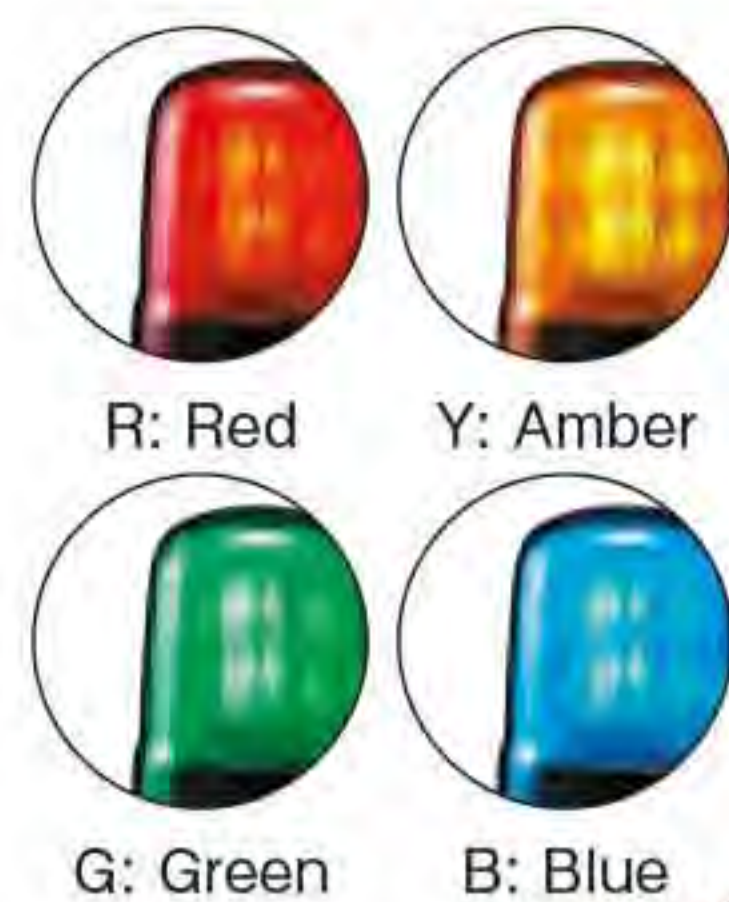


# Multi-Function Beacons

# SF New



Φ80 mm	Φ100 mm	CE	RoHS 10	UL	FCC	ICES
EAC	KC	PSE	NEMA TYPE 4X,13	IP23 (JN)	IP66 (KT)	Motorless Rotation
Flash	Pulse	Indoor/Outdoor Use	Upright/Sideways*/Inverted* Mounting	Ambient Temperature -20°C~+50°C	Red, Amber, Green, Blue	88dB

\*Indoor only      \*SF08:86dB



SF08: Φ80mm      SF10: Φ100mm

● The IP rating on the IP23 type can be increased by using the optional rubber gasket.

## Model Number Configuration

# SF10-M1KTBR

- ①
- ②
- ③
- ④

① Size 08 = Φ80mm 10 = Φ100mm	② Rated Voltage M1 = 12-24V DC M2 = 100-240V AC	③ Mounting / Wiring / Buzzer JN: 3-point bolt mounting / Cable / None KTN: 2-point hole mounting / Terminal block / None KTB: 2-point hole mounting / Terminal block / Buzzer	④ Color R = Red    G = Green Y = Amber    B = Blue
-------------------------------------	---	--	--

## Specification

Supported Transistors	NPN	Alarm Sound	Single tone (peak)	Volume Control	None
-----------------------	-----	-------------	--------------------	----------------	------

## Product List

Model Number	Size (mm)	Rated Voltage	Wiring and Mounting	Alarm	Luminous Color	Power Consumption	Mass
SF08-M1JN-R/Y/G/B	Φ80	12 - 24V DC	Cable, 3-point bolt mounting	None	Red / Amber / Green / Blue	7.7W	0.27kg
SF08-M1KTN-R/Y/G/B	Φ80	12 - 24V DC	Push-in terminal block, 2-point hole mounting	None	Red / Amber / Green / Blue	7.7W	0.24kg
SF08-M1KTBR-R/Y/G/B	Φ80	12 - 24V DC	Push-in terminal block, 2-point hole mounting	Yes	Red / Amber / Green / Blue	8.2W	0.25kg
SF08-M2JN-R/Y/G/B	Φ80	100 - 240V AC	Cable, 3-point bolt mounting	None	Red / Amber / Green / Blue	8.5W	0.3kg
SF08-M2KTN-R/Y/G/B	Φ80	100 - 240V AC	Push-in terminal block, 2-point hole mounting	None	Red / Amber / Green / Blue	8.5W	0.27kg
SF08-M2KTBR-R/Y/G/B	Φ80	100 - 240V AC	Push-in terminal block, 2-point hole mounting	Yes	Red / Amber / Green / Blue	8.8W	0.28kg
SF10-M1JN-R/Y/G/B	Φ100	12 - 24V DC	Cable, 3-point bolt mounting	None	Red / Amber / Green / Blue	7.7W	0.40kg
SF10-M1KTN-R/Y/G/B	Φ100	12 - 24V DC	Push-in terminal block, 2-point hole mounting	None	Red / Amber / Green / Blue	7.7W	0.39kg
SF10-M1KTBR-R/Y/G/B	Φ100	12 - 24V DC	Push-in terminal block, 2-point hole mounting	Yes	Red / Amber / Green / Blue	8.2W	0.40kg
SF10-M2JN-R/Y/G/B	Φ100	100 - 240V AC	Cable, 3-point bolt mounting	None	Red / Amber / Green / Blue	8.5W	0.43kg
SF10-M2KTN-R/Y/G/B	Φ100	100 - 240V AC	Push-in terminal block, 2-point hole mounting	None	Red / Amber / Green / Blue	8.5W	0.42kg
SF10-M2KTBR-R/Y/G/B	Φ100	100 - 240V AC	Push-in terminal block, 2-point hole mounting	Yes	Red / Amber / Green / Blue	8.8W	0.43kg

## Optional Parts

For details refer to P. 93 to P. 98

Product Description	Model Number
Wall mounting waterproof bracket	SZK-101
Wall mount bracket	SZK-102
Cover for wall mount bracket	SZK-104
Wall mount bracket	SZ-007
Wall mount bracket	SZ-008
Wall mount bracket	SZ-023

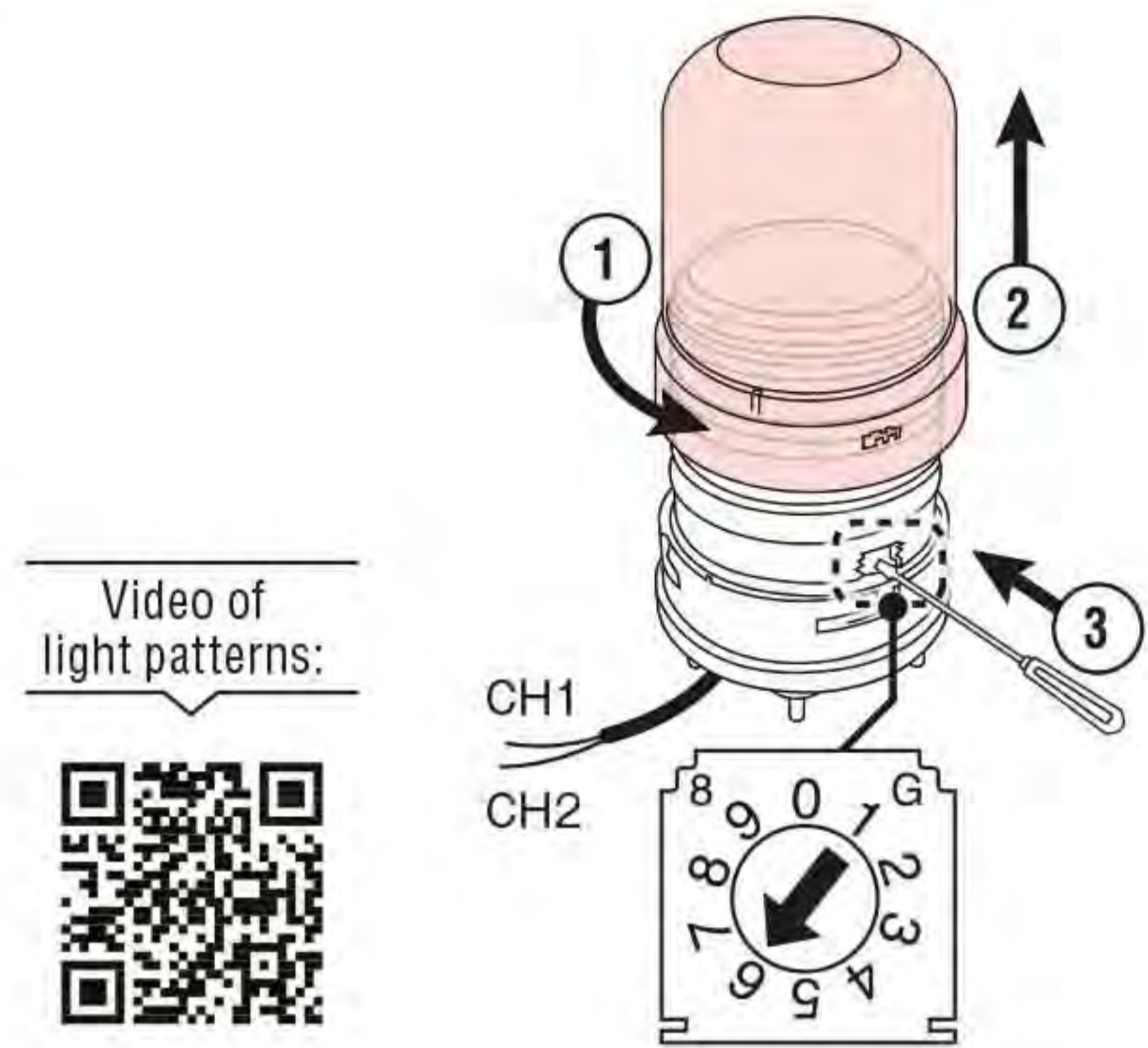
Product Description	Model Number
Ceiling mounting bracket	SZW-101
Mounting rubber gasket	SZW-102
Mounting rubber gasket	SZW-103
Pole mounting bracket	SZP-101
1/2 in. NPT Bracket	SZP-102
1/2 in. NPT Bracket	SZP-103

## Wide Light Pattern Selection

Select from 22 light patterns to indicate various statuses at your work place. The light pattern can easily be configured by adjusting the rotary switch and wiring channels.

Rotary switch	wiring		CH1	CH2	CH1	CH2	CH1	CH2	CH1	CH2
	OFF	OFF	ON	OFF	OFF	ON	ON	ON	ON	ON
0	Off		Rotating (120 rpm)	Triple-flash	Rotating (120 rpm)		Triple-flash		Rotating (120 rpm)	
1	Off		Rotating (180 rpm)	Triple-flash	Rotating (180 rpm)		Triple-flash		Rotating (180 rpm)	
2	Off		Triple-flash	Pulse pattern	Triple-flash		Pulse pattern		Triple-flash	
3	Off		Rotating (60 rpm)	Rotation (120 rpm)	Rotating (60 rpm)		Rotation (120 rpm)		Rotating (180 rpm)	
4	Off		Single-flash	Double-flash	Single-flash		Double-flash		Triple-flash	
5	Triple-flash		Triple-flash	Triple-flash	Triple-flash		Triple-flash		Triple-flash	
6	Pulse pattern		Pulse pattern	Pulse pattern	Pulse pattern		Pulse pattern		Pulse pattern	
7	Rotating (60 rpm)		Rotating (60 rpm)	Rotating (60 rpm)	Rotating (60 rpm)		Rotating (60 rpm)		Rotating (60 rpm)	
8	Rotating (120 rpm)		Rotating (120 rpm)	Rotating (120 rpm)	Rotating (120 rpm)		Rotating (120 rpm)		Rotating (120 rpm)	
9	Rotating (180 rpm)		Rotating (180 rpm)	Rotating (180 rpm)	Rotating (180 rpm)		Rotating (180 rpm)		Rotating (180 rpm)	

= Dimmed = One side illuminated

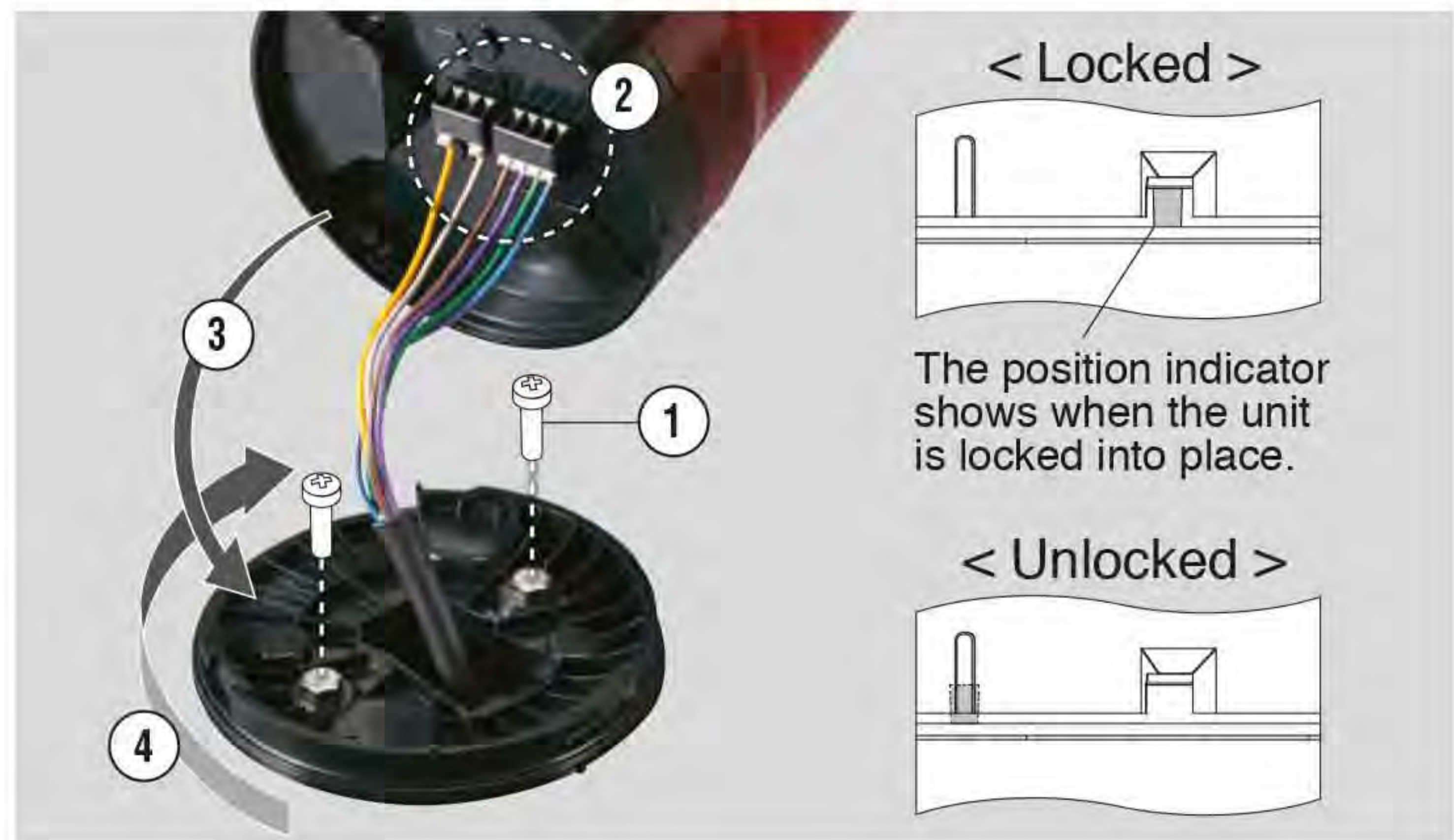


## Easy Mounting

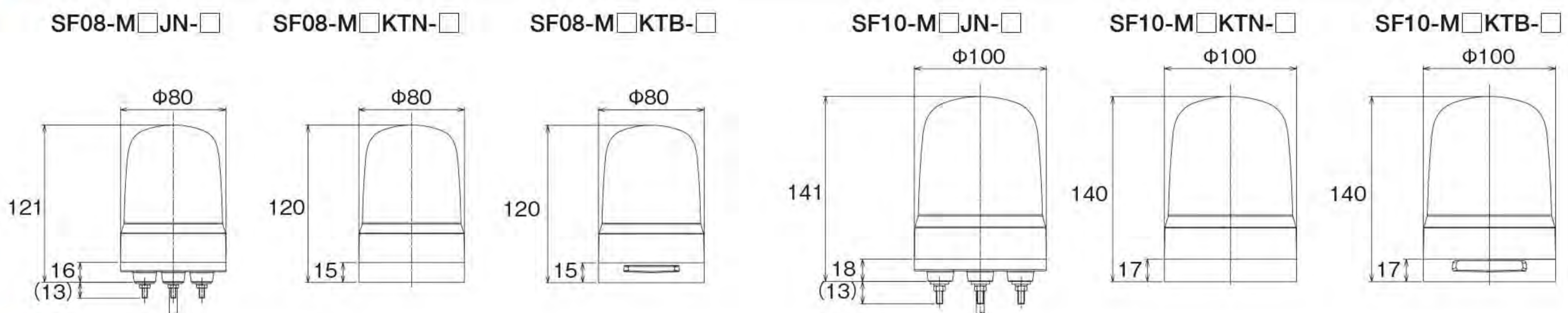
### IP66 rating (KT type)

- 1 Screw in the mounting bracket
- 2 Connect wires to the push-in terminal block
- 3 Mount the body onto the mounting bracket
- 4 Lock into place

Mounting video

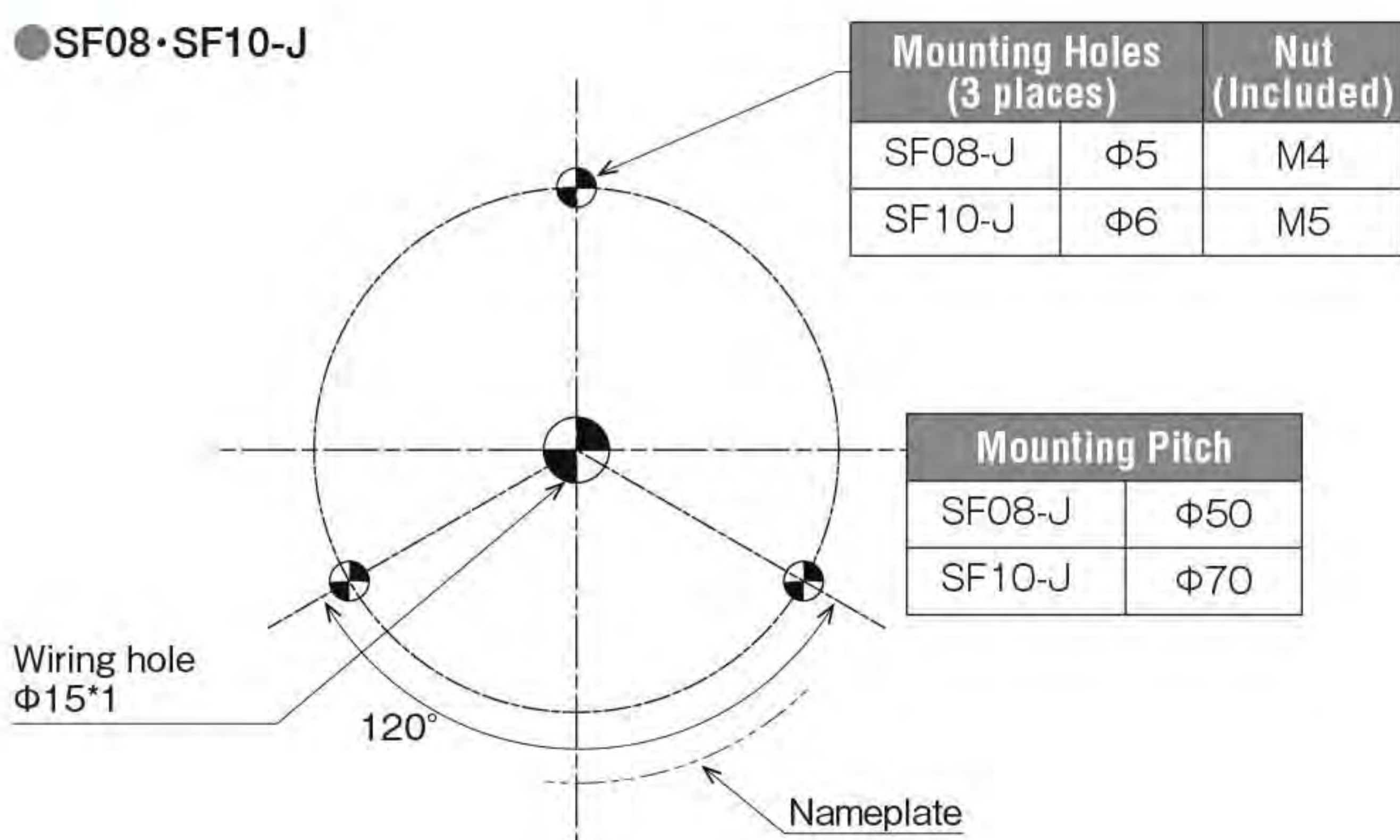


## Dimensions (mm)

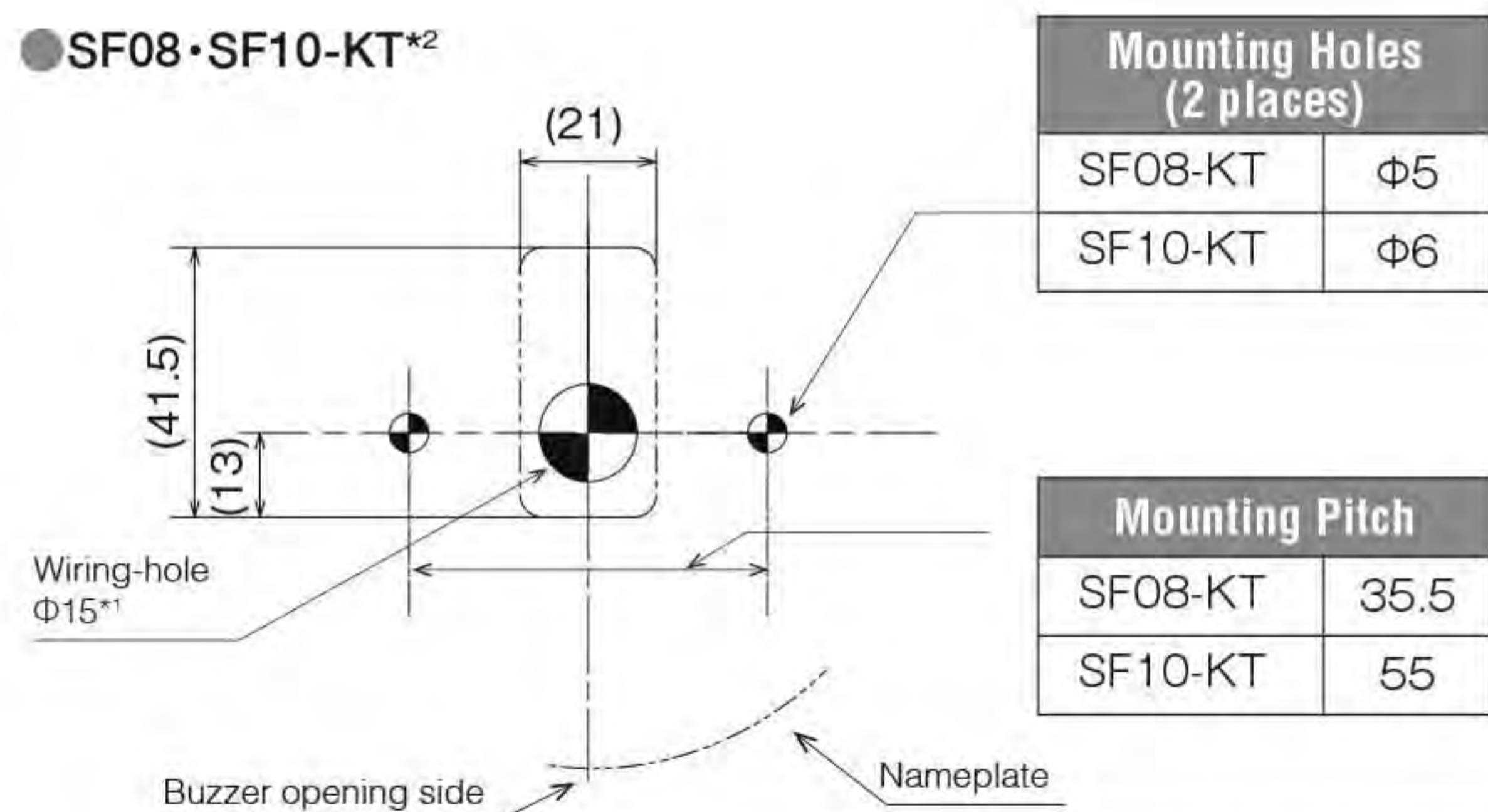


## Mounting Dimensional Drawing (mm)

### ● SF08·SF10-J



### ● SF08·SF10-KT\*2



Model	Screw / Nut	Recommended Tightening Torque
SF08	M4	0.7 N·m
SF10	M5	1.4 N·m

\* 1 Adjust hole size as needed.

\* 2 Mounting screws not included.