

Rotating Beacons

SK

New



| | | | | | |
|--------------------|--------------------------------------|---------------------------------|-------------------------|--------------------|------|
| Φ80 mm | Φ100 mm | Φ150 mm | CE | RoHS 10 | UL |
| FCC | ICES | KC | EAC | PSE | IP23 |
| Indoor/Outdoor Use | Upright/Sideways*/Inverted* Mounting | Ambient Temperature -10°C~+50°C | Red, Amber, Green, Blue | Motorized Rotation | 88dB |

*Indoor only



SKS: Φ80mm SKH: Φ100mm SKP: Φ150mm With buzzer
 ● Use the optional rubber gasket to increase the IP rating from IP23 to IP65. (SKS, SKH only)

Model Number Configuration

SKH-M1JB-R

- ①
- ②
- ③
- ④

| | | | |
|---|--|---|--|
| ① Size S = Φ80mm H = Φ100mm P = Φ150mm | ② Rated Voltage / Wiring M1J = 12 - 24V DC / cable M1T = 12 - 24V DC / terminal block* M2J = 100 - 240V AC / cable M2T = 100 - 240V AC / terminal block* | ③ Buzzer Blank = None B = Buzzer* | ④ Color R = Red, Y = Amber G = Green, B = Blue |
|---|--|---|--|

* SKH: Φ100mm only

Specification

| | | | | | |
|-----------------------|------|-------------|--------------------|----------------|------|
| Supported Transistors | None | Alarm Sound | Single tone (peak) | Volume Control | None |
|-----------------------|------|-------------|--------------------|----------------|------|

Product List

| Model | Size (mm) | Rated Voltage | Wiring | Alarm | Luminous Color | Power Consumption | Mass |
|------------------|-----------|---------------|------------------------|-------|-----------------------|-------------------|--------|
| SKS-M1J-R/Y/G/B | Φ80 | 12 - 24V DC | Cable | None | Red/ Amber/Green/Blue | 2.9W | 0.24kg |
| SKS-M2J-R/Y/G/B | Φ80 | 100 - 240V AC | Cable | None | Red/ Amber/Green/Blue | 3.0W | 0.27kg |
| SKH-M1J-R/Y/G/B | Φ100 | 12 - 24V DC | Cable | None | Red/ Amber/Green/Blue | 2.9W | 0.33kg |
| SKH-M1JB-R/Y/G/B | Φ100 | 12 - 24V DC | Cable | Yes | Red/ Amber/Green/Blue | 3.6W | 0.34kg |
| SKH-M1T-R/Y/G/B | Φ100 | 12 - 24V DC | Push-in terminal block | None | Red/ Amber/Green/Blue | 2.9W | 0.30kg |
| SKH-M1TB-R/Y/G/B | Φ100 | 12 - 24V DC | Push-in terminal block | Yes | Red/ Amber/Green/Blue | 3.6W | 0.31kg |
| SKH-M2J-R/Y/G/B | Φ100 | 100 - 240V AC | Cable | None | Red/ Amber/Green/Blue | 3.0W | 0.36kg |
| SKH-M2JB-R/Y/G/B | Φ100 | 100 - 240V AC | Cable | Yes | Red/ Amber/Green/Blue | 3.3W | 0.37kg |
| SKH-M2T-R/Y/G/B | Φ100 | 100 - 240V AC | Push-in terminal block | None | Red/ Amber/Green/Blue | 3.0W | 0.33kg |
| SKH-M2TB-R/Y/G/B | Φ100 | 100 - 240V AC | Push-in terminal block | Yes | Red/ Amber/Green/Blue | 3.3W | 0.34kg |
| SKP-M1J-R/Y/G/B | Φ150 | 12 - 24V DC | Cable | None | Red/ Amber/Green/Blue | 2.9W | 0.67kg |
| SKP-M2J-R/Y/G/B | Φ150 | 100 - 240V AC | Cable | None | Red/ Amber/Green/Blue | 3.0W | 0.70kg |

Optional Parts

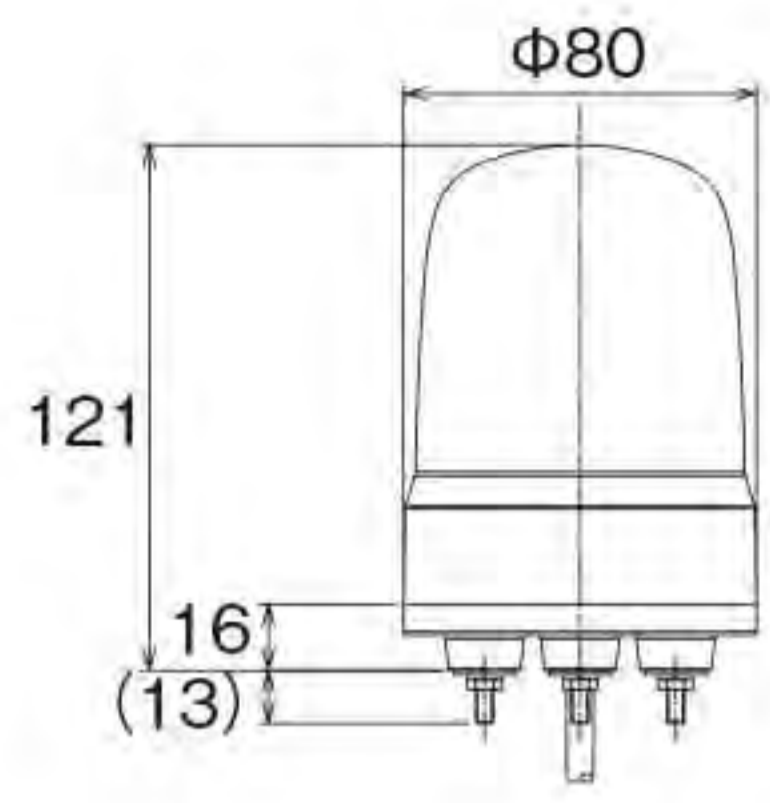
For details refer to P. 93 to P. 98

| Product Description | Model Number |
|----------------------------------|--------------|
| Wall mounting waterproof bracket | SZK-101 |
| Wall mount bracket | SZK-102 |
| Wall mount bracket | SZK-103 |
| Cover for wall mount bracket | SZK-104 |
| Cover for wall mount bracket | SZK-105 |
| Wall mount bracket | SZ-007 |
| Wall mount bracket | SZ-008 |
| Wall mount bracket | SZ-023 |
| Ceiling mounting bracket | SZW-101 |

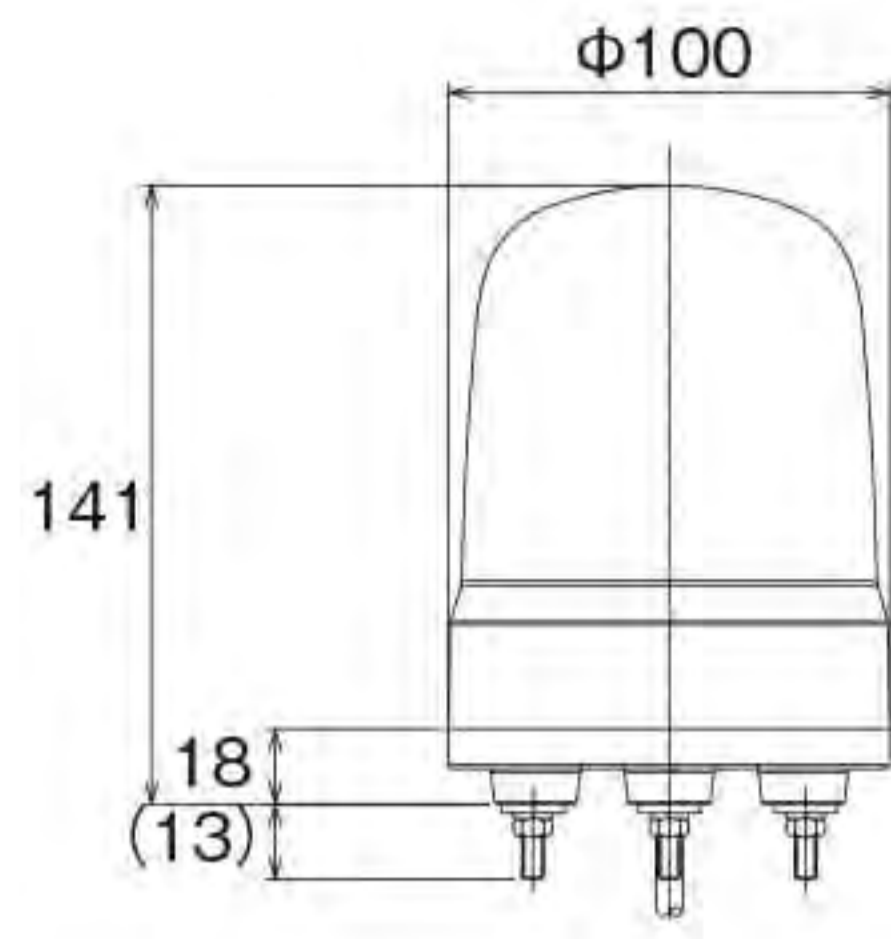
| Product Description | Model Number |
|------------------------|--------------|
| Mounting rubber gasket | SZW-102 |
| Mounting rubber gasket | SZW-103 |
| Pole mounting bracket | SZP-101 |
| 1/2 in. NPT Bracket | SZP-102 |
| 1/2 in. NPT Bracket | SZP-103 |
| 1/2 in. NPT Bracket | SZP-104 |

Dimensions (mm)

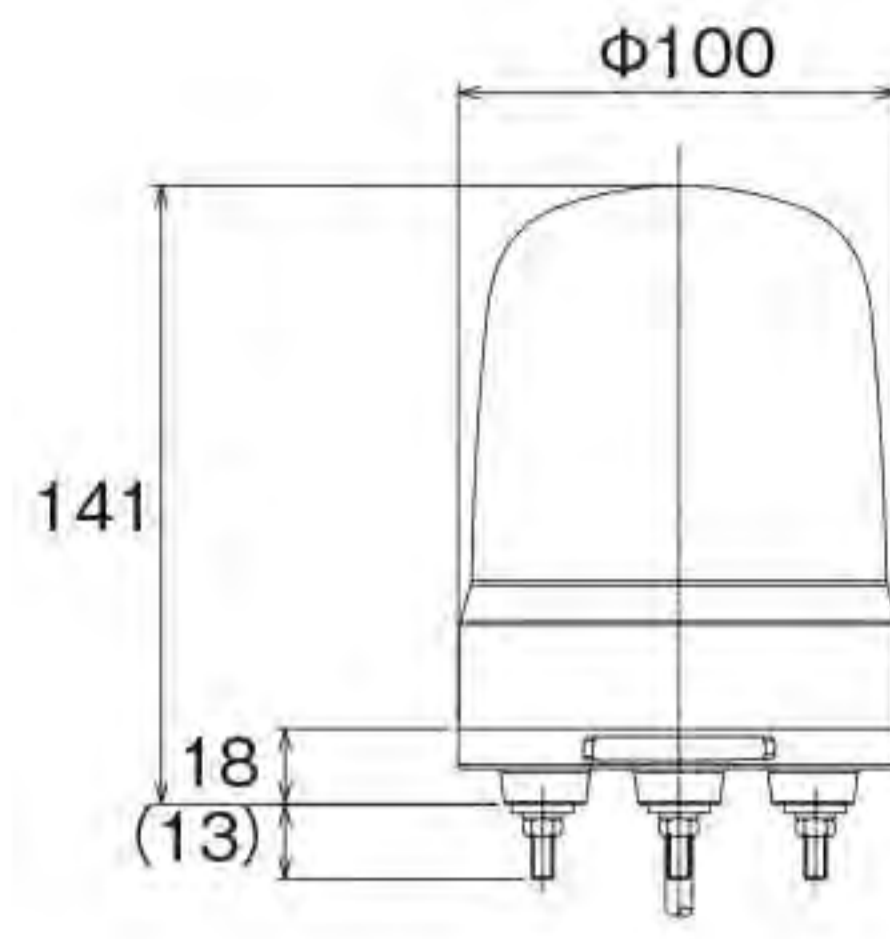
SKS-M□□-□



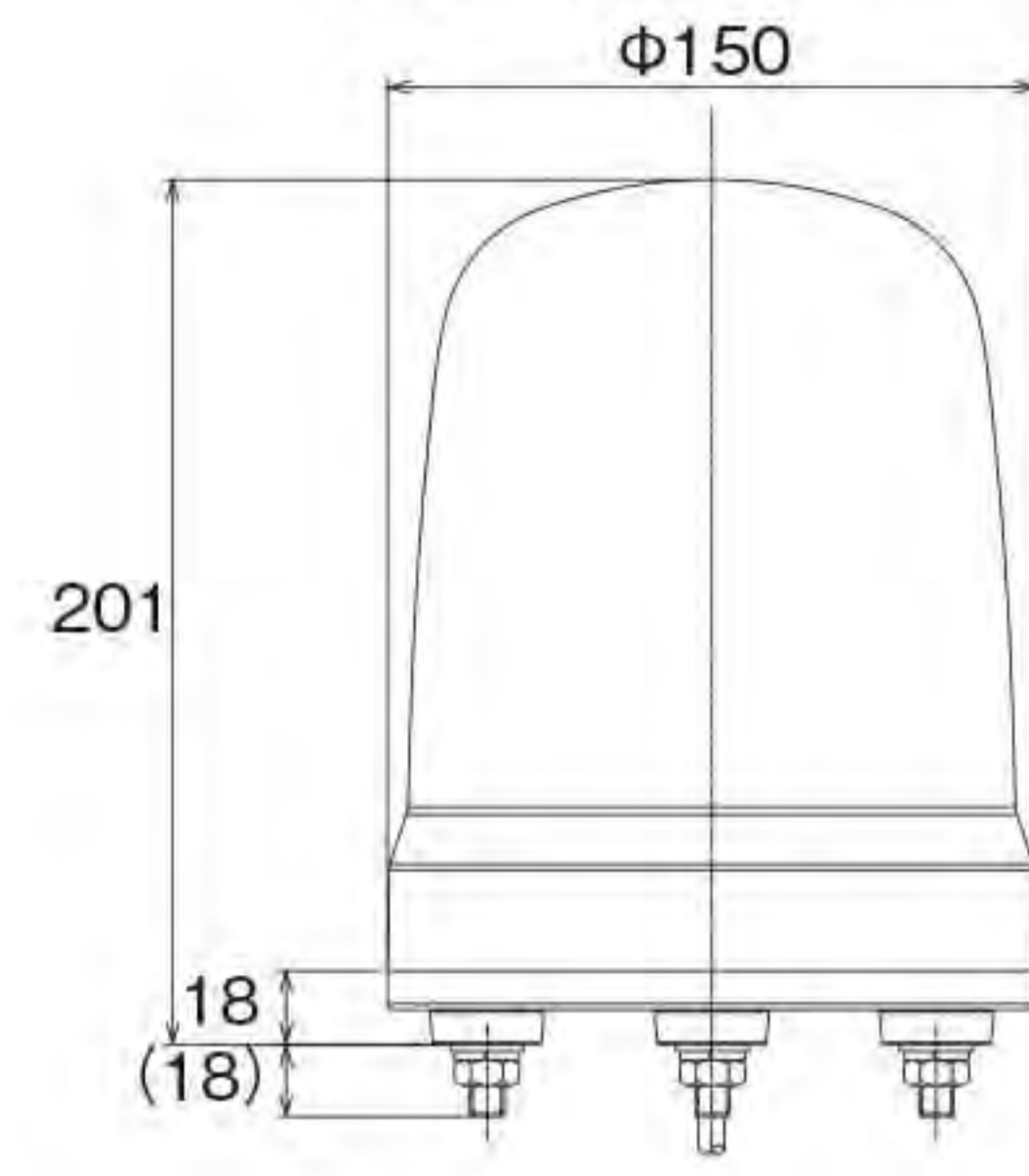
SKH-M□□-□



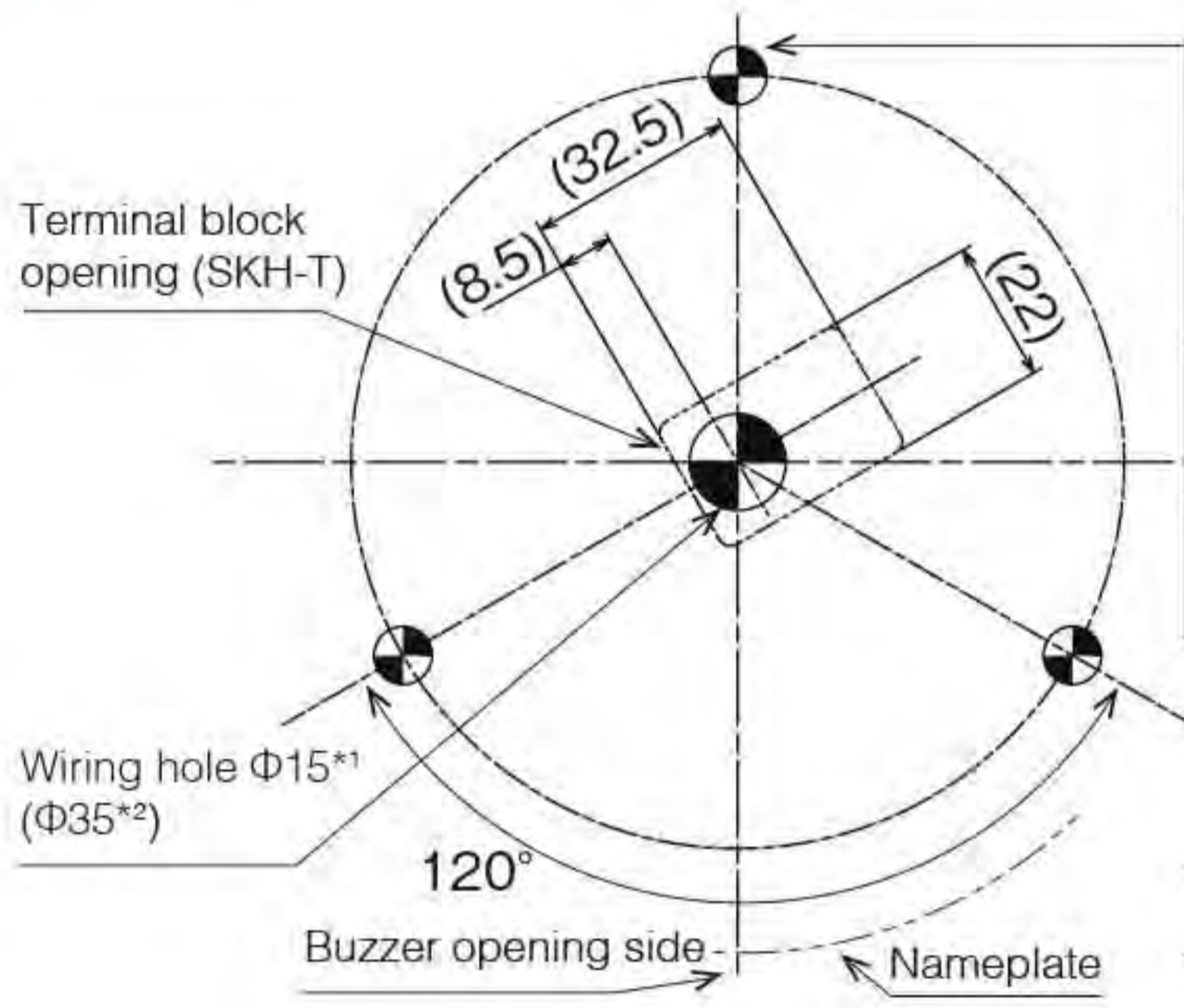
SKH-M□□B-□



SKP-M□□-□



Mounting Dimensional Drawing (mm)



| Mounting Holes (3 places) | | Nut (Included) |
|---------------------------|----|----------------|
| SKS | Φ5 | M4 |
| SKH | Φ6 | M5 |
| SKP | Φ9 | M8 |

| Mounting Pitch | |
|----------------|------|
| SKS | Φ50 |
| SKH | Φ70 |
| SKP | Φ120 |

| Model | Nut | Recommended Tightening Torque |
|-------|-----|-------------------------------|
| SKS | M4 | 0.7 N·m |
| SKH | M5 | 1.4 N·m |
| SKP | M8 | 6.0 N·m |

- * 1 Adjust hole size as needed.
- * 2 Cord specifications with AC power plug