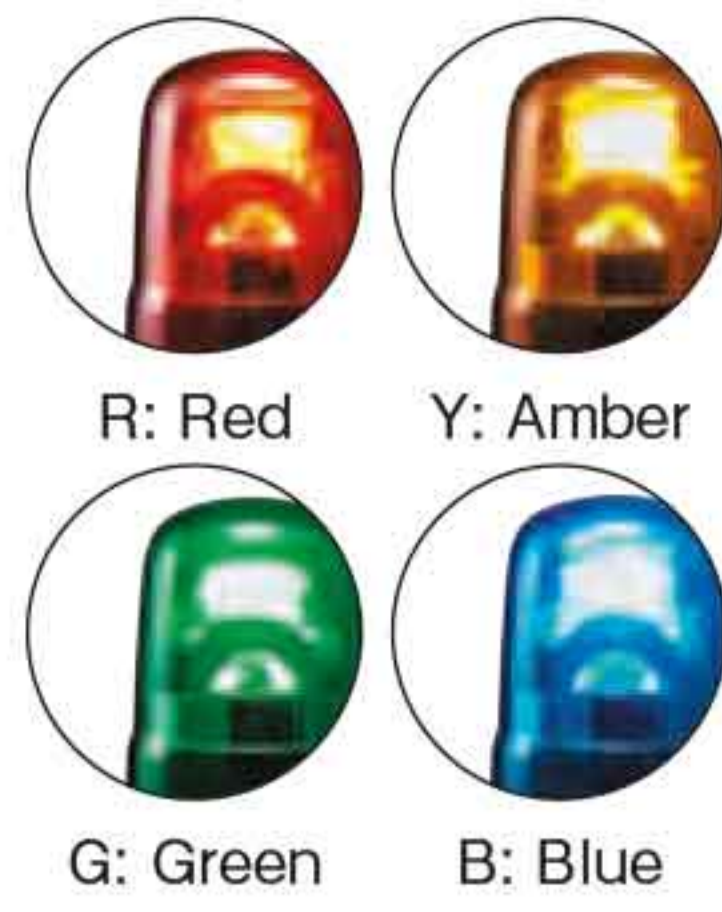


Rotating Beacons

SK

New



Φ80 mm	Φ100 mm	Φ150 mm	CE	RoHS 10	UL
FCC	ICES	KC	EAC	PSE	IP23
Indoor/Outdoor Use	Upright/Sideways*/Inverted* Mounting	Ambient Temperature -10°C~+50°C	Red, Amber, Green, Blue	Motorized Rotation	88dB

*Indoor only



SKS: Φ80mm SKH: Φ100mm SKP: Φ150mm With buzzer
 ● Use the optional rubber gasket to increase the IP rating from IP23 to IP65. (SKS, SKH only)

Model Number Configuration

SKH-M1JB-R

① ② ③ ④

① Size S = Φ80mm H = Φ100mm P = Φ150mm	② Rated Voltage / Wiring M1J = 12 - 24V DC / cable M1T = 12 - 24V DC / terminal block* M2J = 100 - 240V AC / cable M2T = 100 - 240V AC / terminal block*	③ Buzzer Blank = None B = Buzzer*	④ Color R = Red, Y = Amber G = Green, B = Blue
---	--	---	--

* SKH: Φ100mm only

Specification

Supported Transistors	None	Alarm Sound	Single tone (peak)	Volume Control	None
-----------------------	------	-------------	--------------------	----------------	------

Product List

Model	Size (mm)	Rated Voltage	Wiring	Alarm	Luminous Color	Power Consumption	Mass
SKS-M1J-R/Y/G/B	Φ80	12 - 24V DC	Cable	None	Red/ Amber/Green/Blue	2.9W	0.24kg
SKS-M2J-R/Y/G/B	Φ80	100 - 240V AC	Cable	None	Red/ Amber/Green/Blue	3.0W	0.27kg
SKH-M1J-R/Y/G/B	Φ100	12 - 24V DC	Cable	None	Red/ Amber/Green/Blue	2.9W	0.33kg
SKH-M1JB-R/Y/G/B	Φ100	12 - 24V DC	Cable	Yes	Red/ Amber/Green/Blue	3.6W	0.34kg
SKH-M1T-R/Y/G/B	Φ100	12 - 24V DC	Push-in terminal block	None	Red/ Amber/Green/Blue	2.9W	0.30kg
SKH-M1TB-R/Y/G/B	Φ100	12 - 24V DC	Push-in terminal block	Yes	Red/ Amber/Green/Blue	3.6W	0.31kg
SKH-M2J-R/Y/G/B	Φ100	100 - 240V AC	Cable	None	Red/ Amber/Green/Blue	3.0W	0.36kg
SKH-M2JB-R/Y/G/B	Φ100	100 - 240V AC	Cable	Yes	Red/ Amber/Green/Blue	3.3W	0.37kg
SKH-M2T-R/Y/G/B	Φ100	100 - 240V AC	Push-in terminal block	None	Red/ Amber/Green/Blue	3.0W	0.33kg
SKH-M2TB-R/Y/G/B	Φ100	100 - 240V AC	Push-in terminal block	Yes	Red/ Amber/Green/Blue	3.3W	0.34kg
SKP-M1J-R/Y/G/B	Φ150	12 - 24V DC	Cable	None	Red/ Amber/Green/Blue	2.9W	0.67kg
SKP-M2J-R/Y/G/B	Φ150	100 - 240V AC	Cable	None	Red/ Amber/Green/Blue	3.0W	0.70kg

Optional Parts

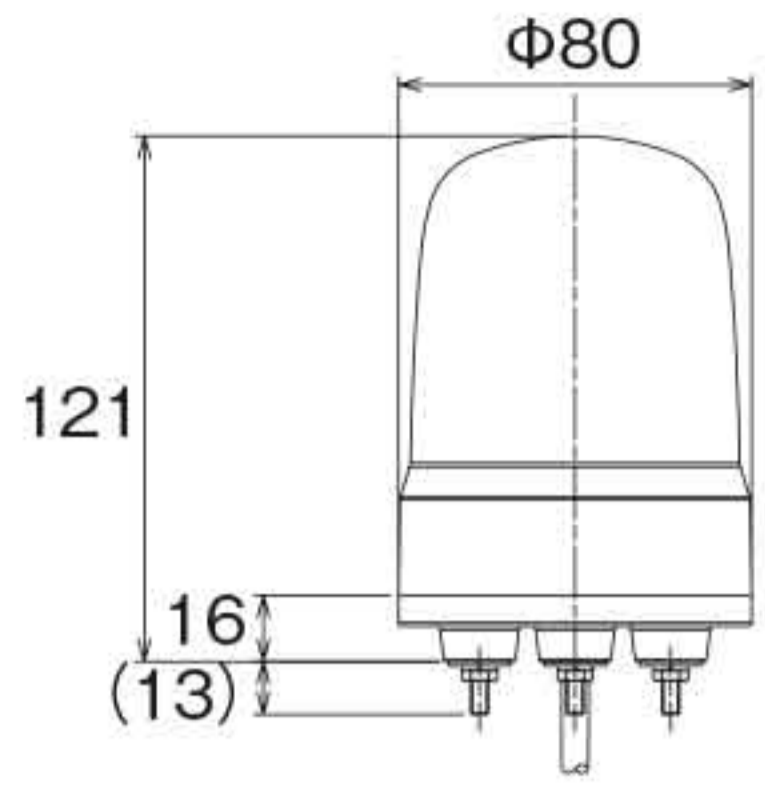
For details refer to P. 93 to P. 98

Product Description	Model Number
Wall mounting waterproof bracket	SZK-101
Wall mount bracket	SZK-102
Wall mount bracket	SZK-103
Cover for wall mount bracket	SZK-104
Cover for wall mount bracket	SZK-105
Wall mount bracket	SZ-007
Wall mount bracket	SZ-008
Wall mount bracket	SZ-023
Ceiling mounting bracket	SZW-101

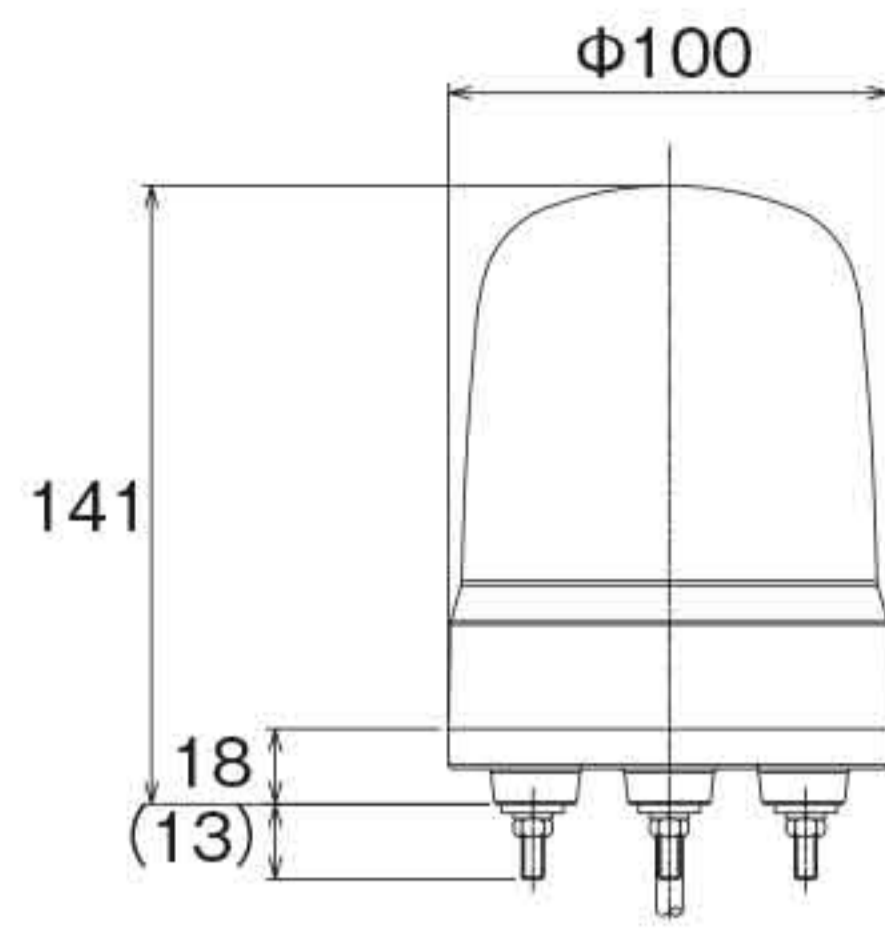
Product Description	Model Number
Mounting rubber gasket	SZW-102
Mounting rubber gasket	SZW-103
Pole mounting bracket	SZP-101
1/2 in. NPT Bracket	SZP-102
1/2 in. NPT Bracket	SZP-103
1/2 in. NPT Bracket	SZP-104

Dimensions (mm)

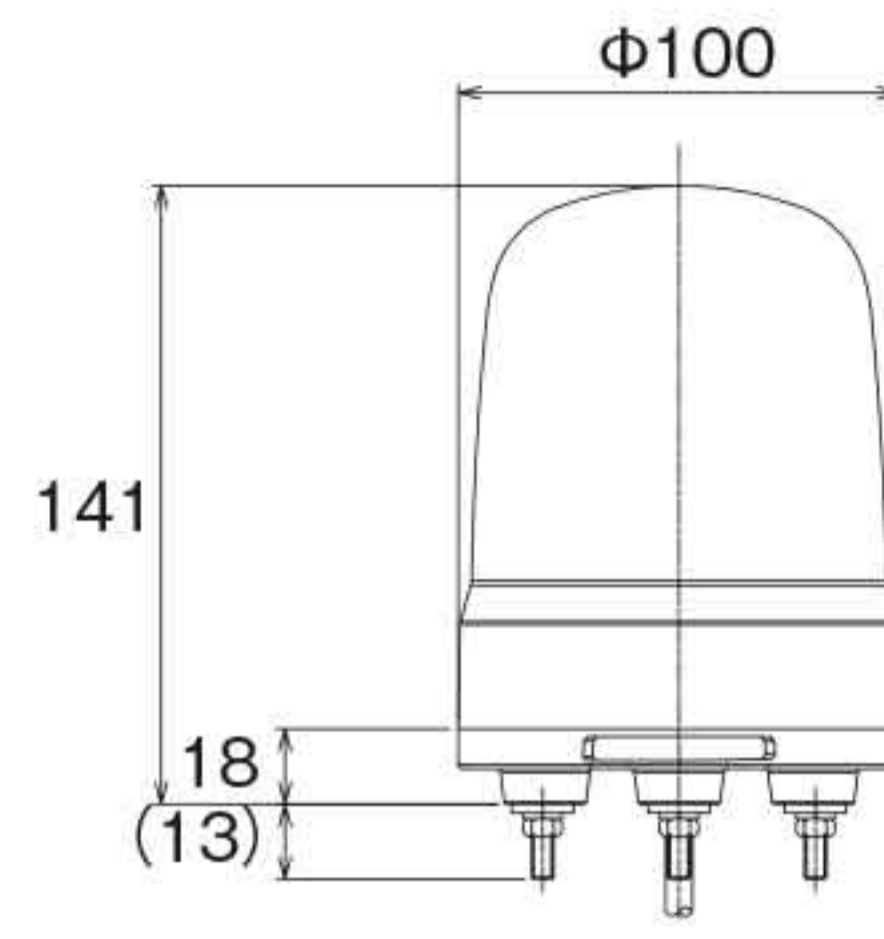
SKS-M□□-□



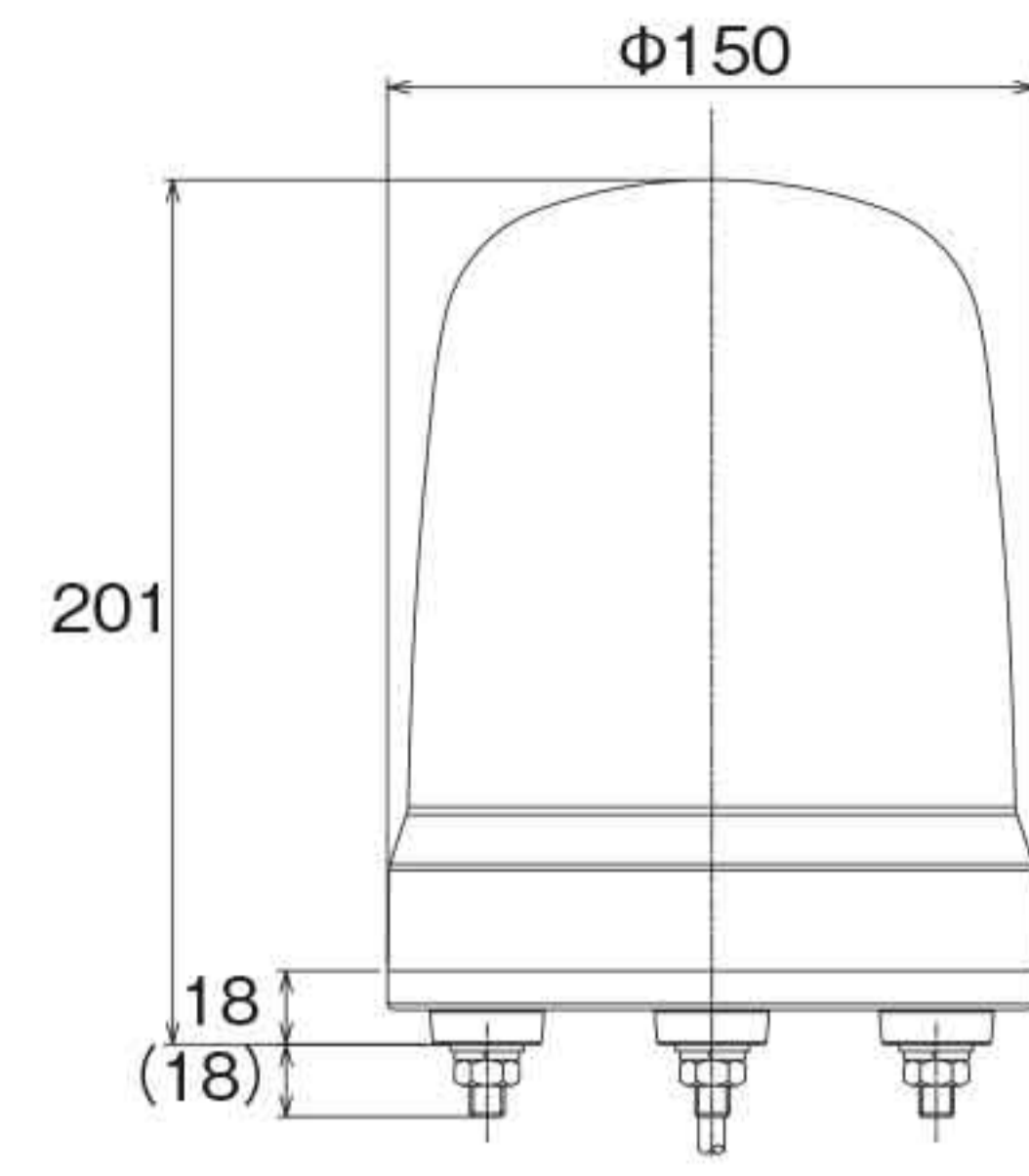
SKH-M□□-□



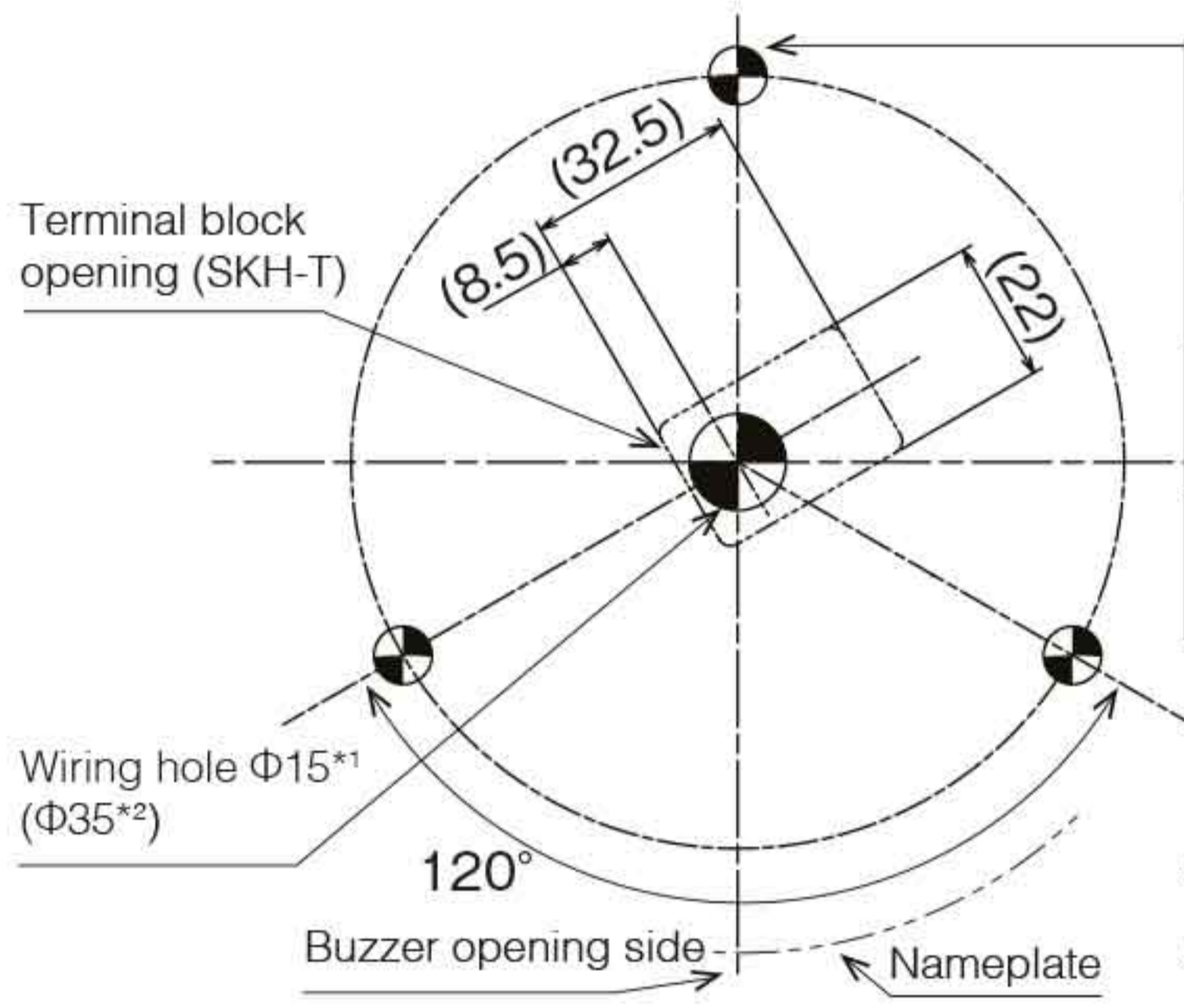
SKH-M□□B-□



SKP-M□□-□



Mounting Dimensional Drawing (mm)



Mounting Holes (3 places)		Nut (Included)
SKS	Φ5	M4
SKH	Φ6	M5
SKP	Φ9	M8

Mounting Pitch	
SKS	Φ50
SKH	Φ70
SKP	Φ120

Model	Nut	Recommended Tightening Torque
SKS	M4	0.7 N·m
SKH	M5	1.4 N·m
SKP	M8	6.0 N·m

- * 1 Adjust hole size as needed.
- * 2 Cord specifications with AC power plug