

Wall Mounting



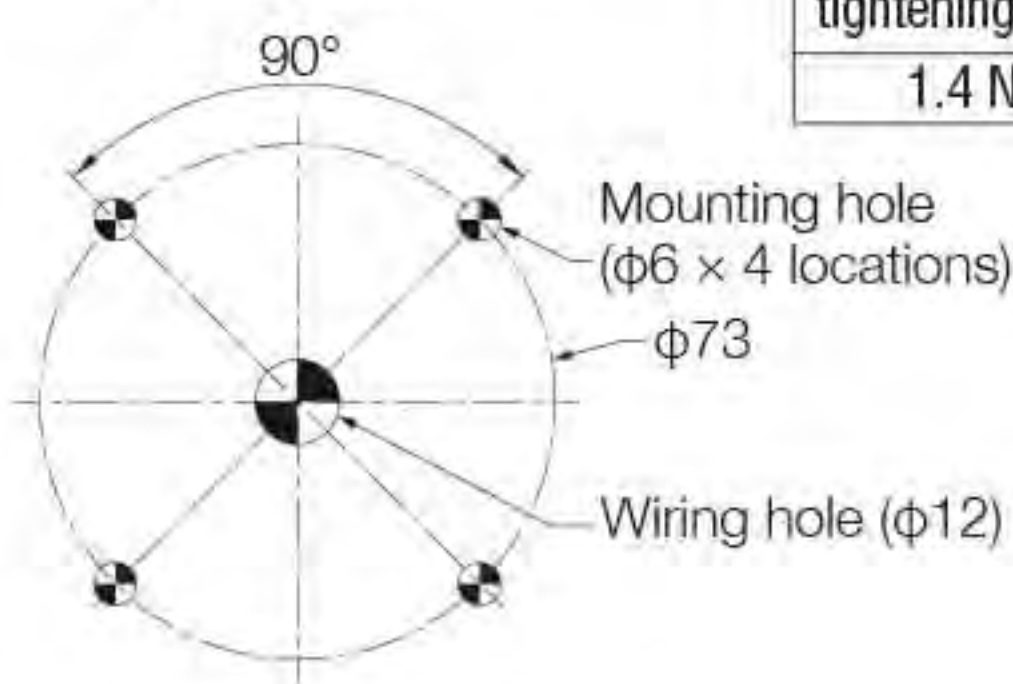
Material: SPCE

RoHS 10

Circular Bracket
SZW-001W

Compatible products
LR series

Mounting dimensions
(Unit: mm)



M5 Screws
Recommended
tightening torque
1.4 N·m



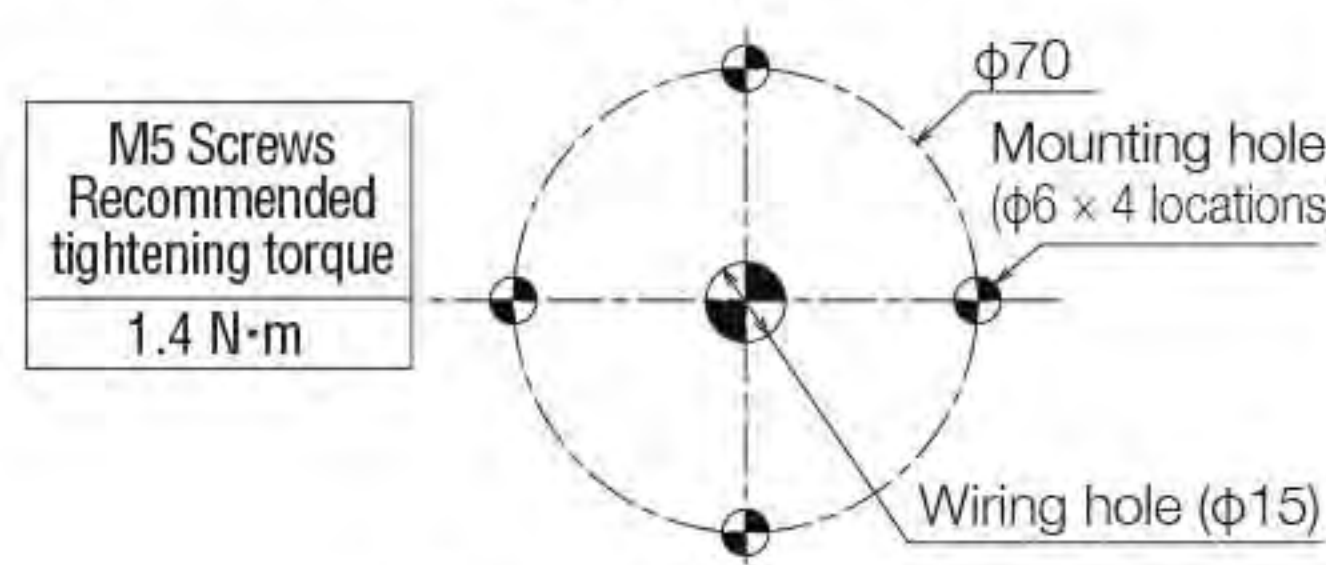
Material: PC

RoHS 10

Wall Mount Waterproof Bracket
(For $\Phi 80\text{mm}/\Phi 100\text{mm}$)
SZK-101

Compatible products
SKS* / SKH*
SF08 / SF10
SL08 / SL10

Mounting dimensions
(Unit: mm)



M5 Screws
Recommended
tightening torque
1.4 N·m

* 3-screw types require rubber gasket.



Material: PC



Material: PC



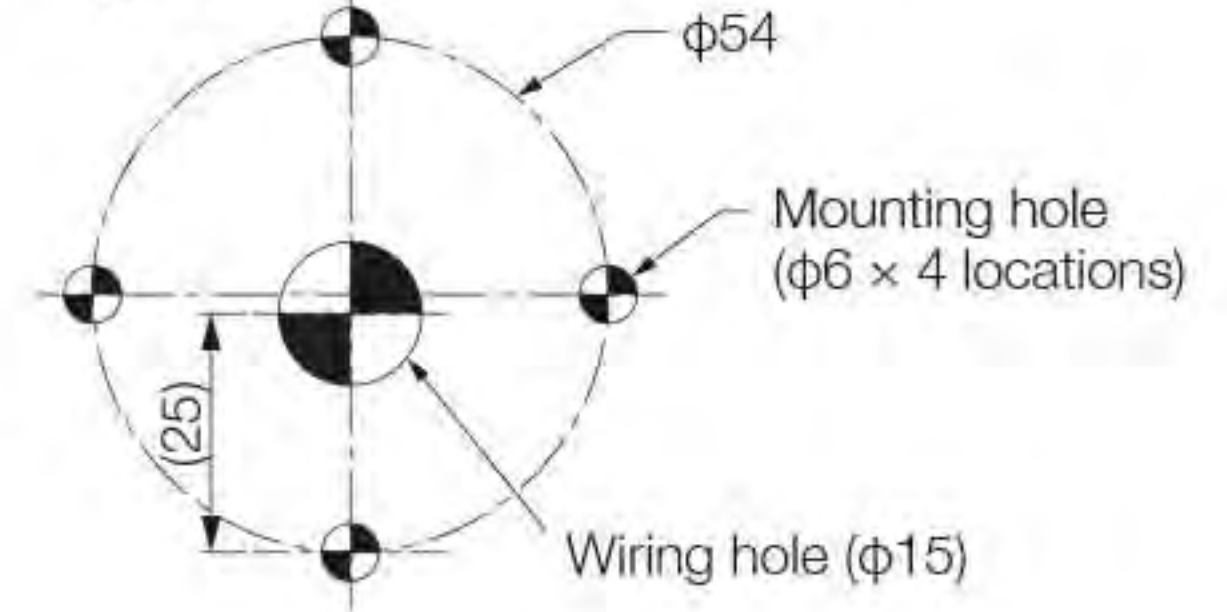
Material: PC

RoHS 10

Wall Mount Bracket

SZK-002W/U/K
Compatible products
LR4 / LR5

Mounting dimensions
(Unit: mm)



M5 Screws
Recommended
tightening torque
1.4 N·m

SZK-003W/U/K
Compatible products
LR6 / LR7 / WDB / LA6

SZK-004W
Compatible products
LR6 / LR7 / LA6



Wiring can pass through bracket.

* Compatible M16xP1.5 cable gland sold separately.



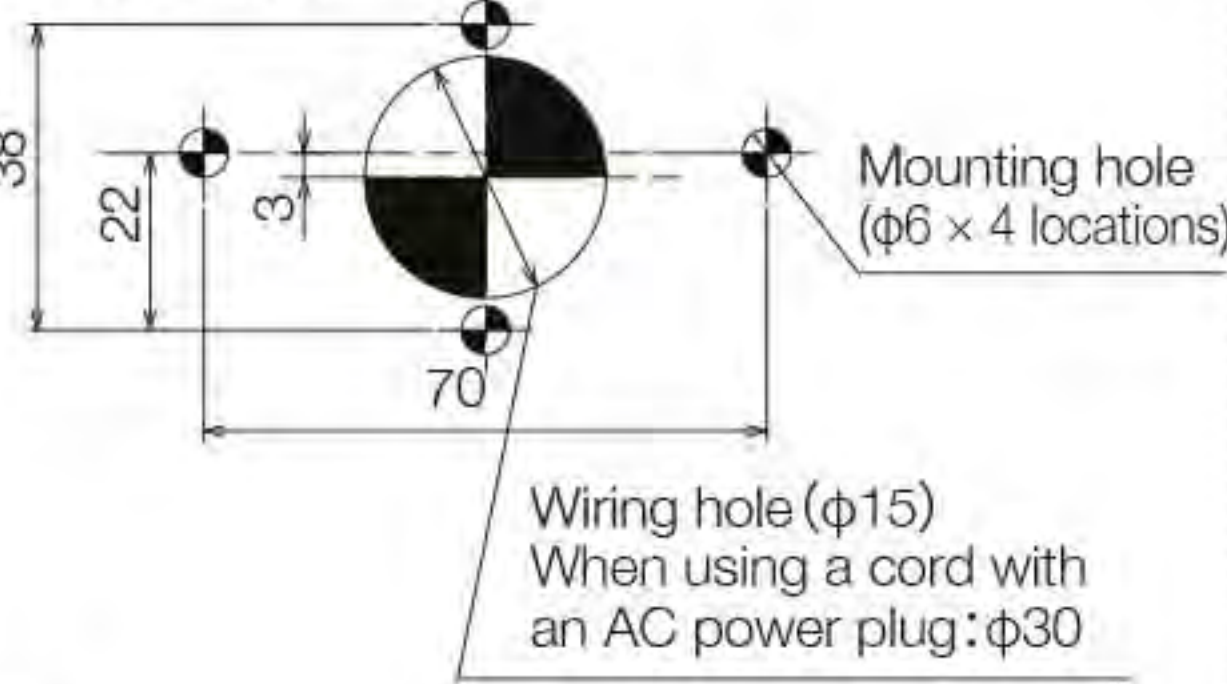
Material: SUS304

RoHS 10

Wall Mount Bracket
(For $\Phi 80\text{mm}/\Phi 100\text{mm}$)
SZK-102

Compatible products
SKS / SKH
SF08 / SF10
SL08 / SL10

Mounting dimensions
(Unit: mm)



M5 Screws
Recommended
tightening torque
1.4 N·m

Wiring hole (φ15)
When using a cord with
an AC power plug: φ30

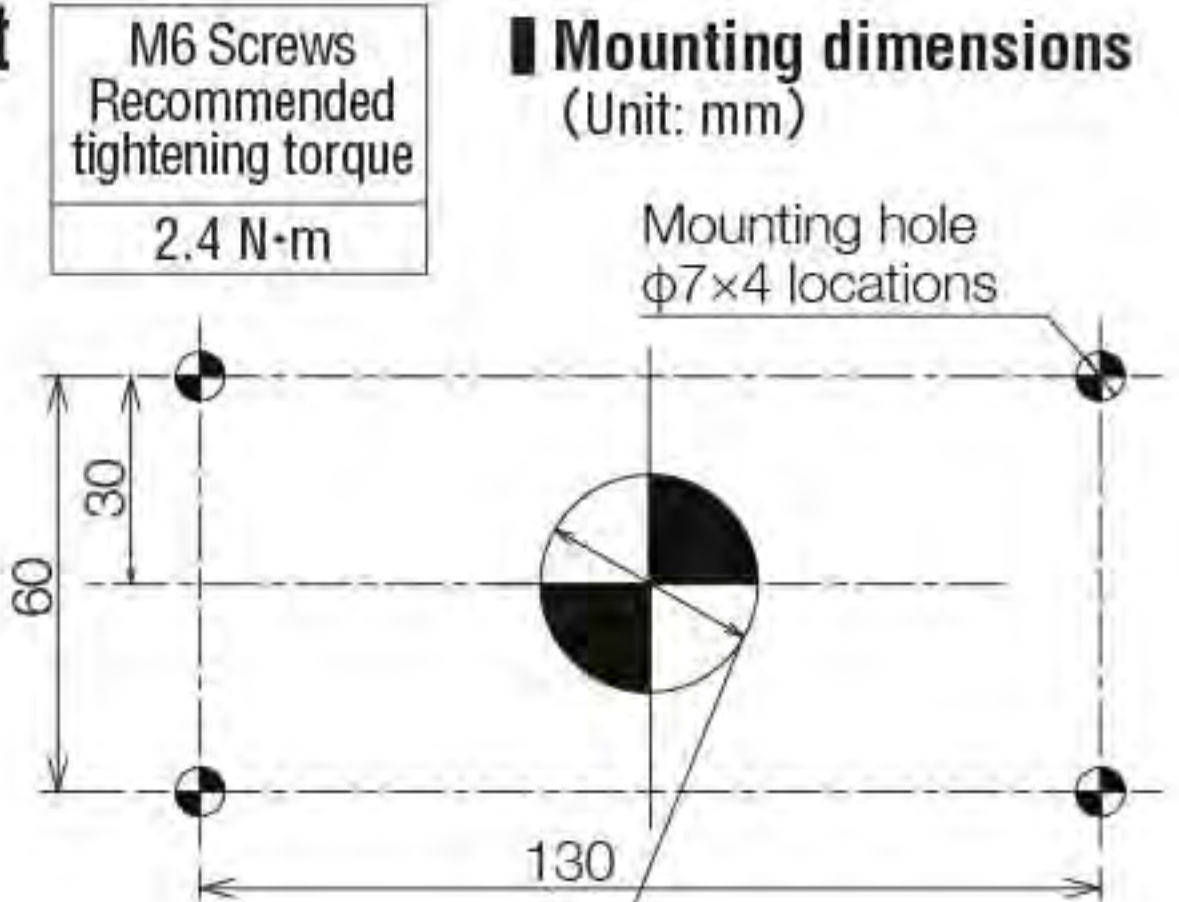


Material: SUS304

RoHS 10

Wall Mount Bracket
(For $\Phi 150\text{mm}$)
SZK-103

Compatible products
SKP / SL15



M6 Screws
Recommended
tightening torque
2.4 N·m

Mounting dimensions
(Unit: mm)

Wiring hole (φ15)
When using a cord with
an AC power plug: φ30



Material: PC

RoHS 10

Cover for Wall Mount Bracket
SZK-104

Compatible products
SZK-102

Safety Note: Use the wall mounting bracket cover when installing M12 type units to prevent wiring from being exposed.



Material: PC

RoHS 10

Cover for Wall Mount Bracket
SZK-105

Compatible products
SZK-103

Safety Note: Use the wall mounting bracket cover when installing M12 type units to prevent wiring from being exposed.



Material: SECC

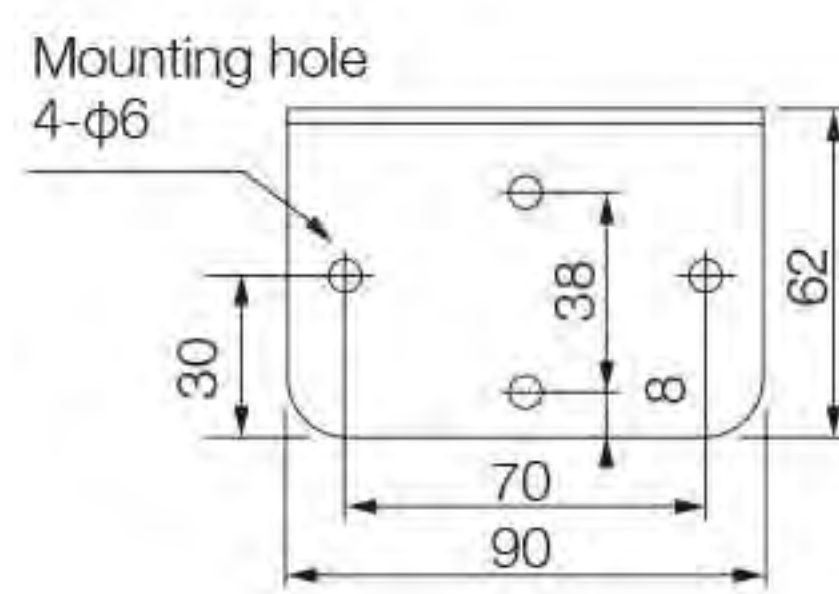
RoHS 10

Wall Mount Bracket
SZ-007

Compatible products
SKS-M1 / SKH-M1
SF08-M1J / SF10-M1J
SL08-M1J / SL10-M1J

(Models with a mounting pitch of $\Phi 50$ or $\Phi 70$.)

Mounting dimensions
(Unit: mm)



Material: SECC

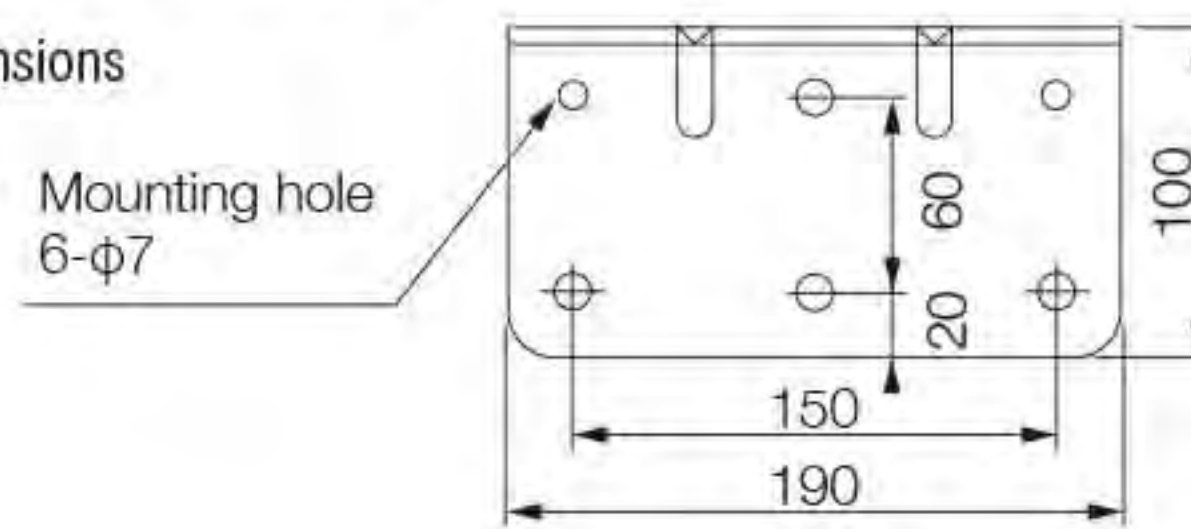
RoHS 10

Wall Mount Bracket
SZ-008

Compatible products
SKS-M1 / SKH-M1 / SKP-M1
SF08-M1J / SF10-M1J
SL08-M1J / SL10-M1J / SL15-M1J

(Models with a mounting pitch of $\Phi 50$, $\Phi 70$, $\Phi 120$, $\Phi 140$, and $\square 74$.)

Mounting dimensions
(Unit: mm)



Material:
Bracket SECC
Bracket cover AES

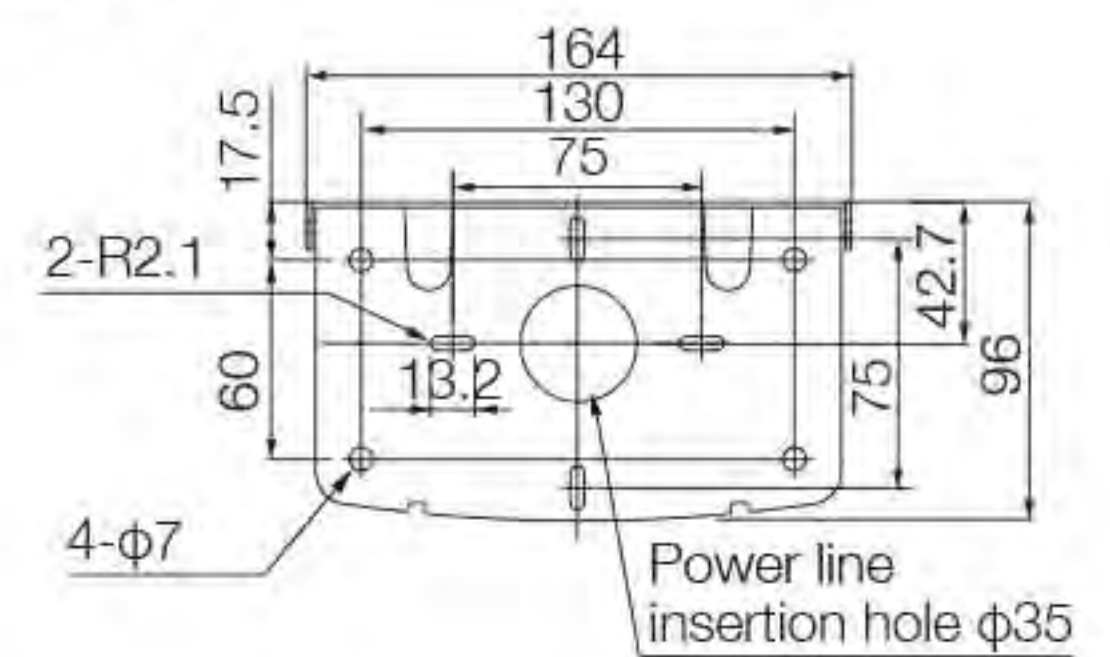
RoHS 10

Wall Mount Bracket
SZ-023

Compatible products
SKS / SKH / SKP
SF08-J / SF10-J
SL08-J / SL10-J / SL15-J

(Models with a mounting pitch of $\Phi 50$, $\Phi 70$, $\Phi 120$, $\Phi 140$, and $\square 74$.)

Mounting dimensions
(Unit: mm)



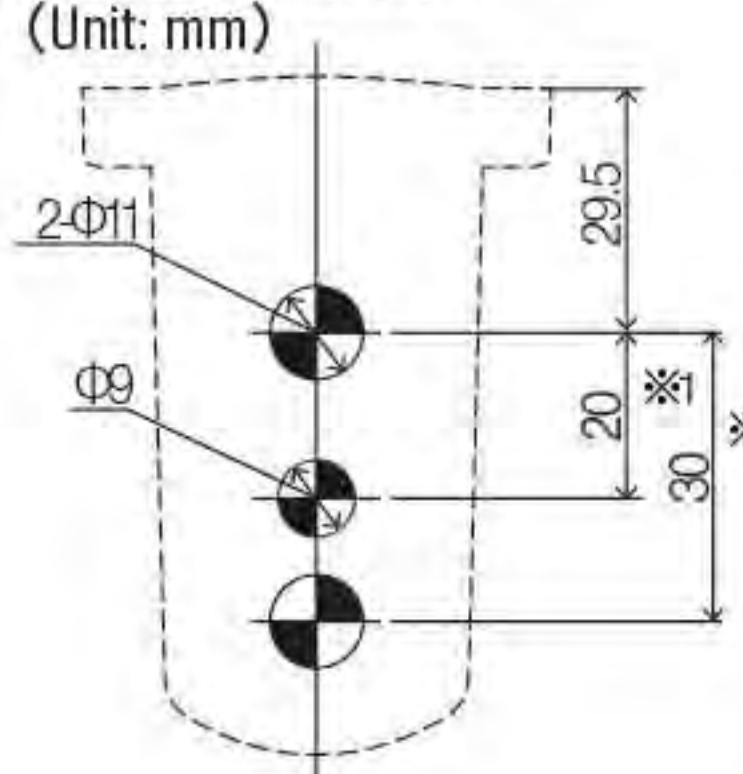
Material: PC

RoHS 10

Wall Mount Bracket
NE-002D

Compatible products
NE-A / NE-IL

Mounting dimensions
(Unit: mm)



Screws/Nuts
※ 1: M8 x 2 pcs
※ 2: M10 x 2 pcs

Recommended
tightening torque
2.4N·m



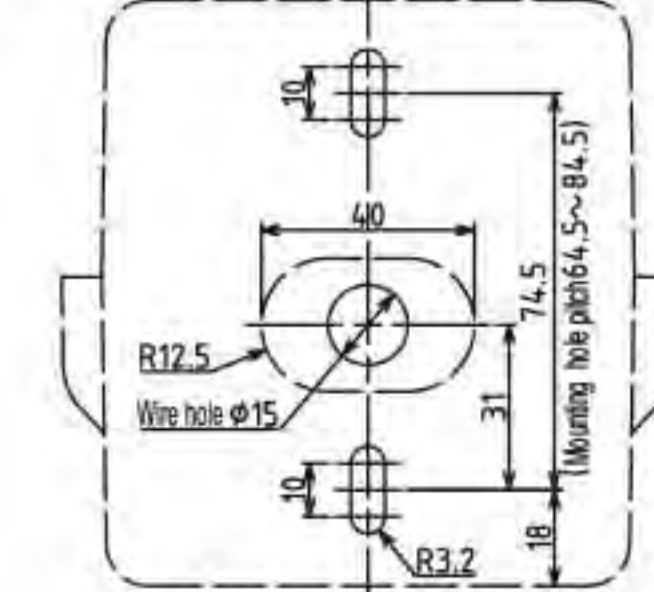
Material: ABS

RoHS 10

Wall Mount Bracket
RF-001

Compatible products
RFV / RFT

Mounting dimensions
(Unit: mm)



* Attach using two M6 screws.

Installation image



Material: ABS

RoHS 10

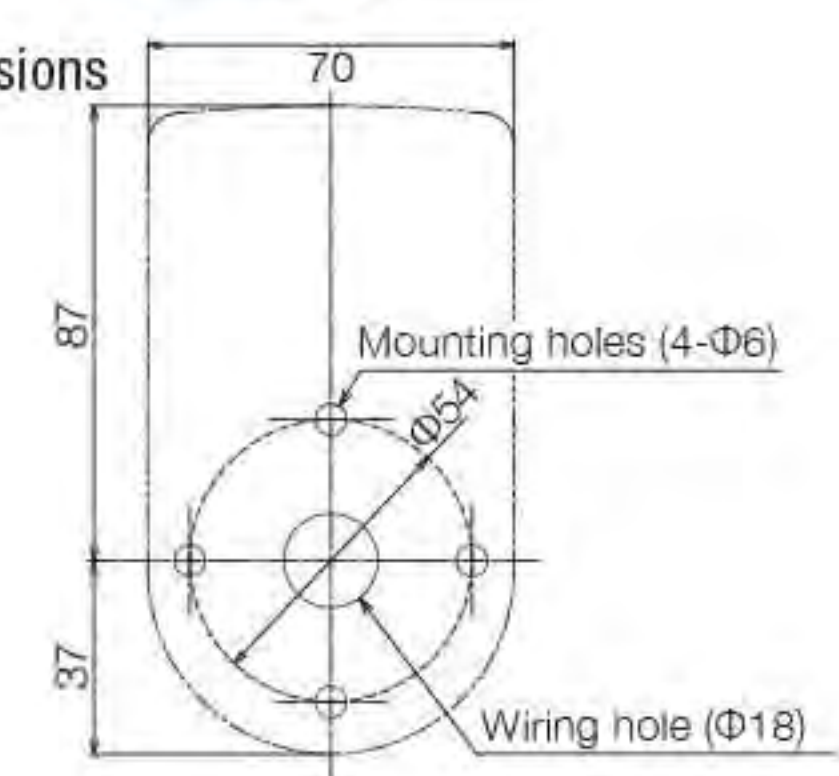
Wall Mount Bracket
SZ-110 (Off-white)

SZ-110D (Dark gray)

SZ-110S (Silver)

Compatible products
LS7

Mounting dimensions
(Unit: mm)



SPECIFICATIONS

1.General Specifications

Model	SZW-001W
Applicable Models	List in the website http://www.patlite.com/
Mounting Location	Indoor Only
Mass (Tolerance $\pm 10\%$)	0.06kg
Outer Dimensions	Refer to the 2.Outer Dimensions
Remarks	There are no contents of controlled substances exceeding the threshold for the RoHS

2.Outer Dimensions

SZW-001

(Unit:mm)

No.	Name	Material
1	Direct Mount Bracket	SPCE

Color : Off-white

SZW-001-W18B-1_2

PATLITE Corporation

3.Mounting Dimensional Drawing

