

ENCLOSURE HEATER WITH FAN

HV 031 / HVL 031 | 100 W to 400 W

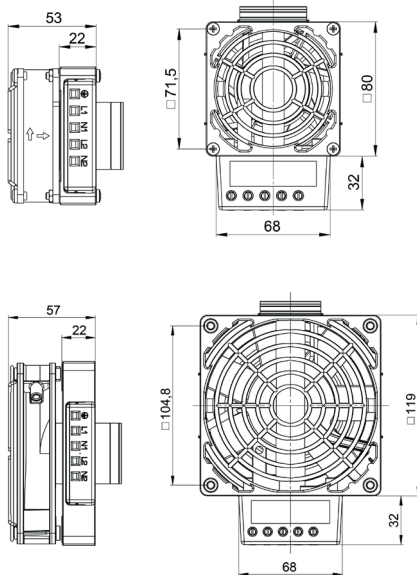


- > Compact
- > Flat design
- > High air through-flow
- > Temperature safety cut-out
- > Clip fixing

Compact high-performance fan heater prevents formation of condensation and frost and provides an evenly distributed interior air temperature in enclosures with electric/electronic components. This fan heater may only be operated together with a fan but is also available without fan for self-assembly (HV 031) and with pre-configured fan (HVL 031).



TECHNICAL DATA



Airflow direction: upwards through heater

| | |
|---|--|
| HV 031 | Heater without fan (fan mounting kit included) |
| HVL 031 | Heater with fan |
| Heating element | high performance cartridge |
| Temperature safety cut-out | to protect against overheating in case of fan failure, automatic reset |
| Heater body | die-cast aluminium (glass bead blasted) |
| Connection | 3-pole screw connector 2.5 mm ² , clamping torque 0.8 Nm max. |
| Connection casing | plastic according to UL94 V-0, black |
| Mounting | clip for 35 mm DIN rail, EN 60715 |
| Fitting position | vertical airflow (air outlet up) |
| Operating/Storage temperature | -45 to +70 °C (-49 to +158 °F) |
| Operating/Storage humidity | < 90 % RH (non-condensing) |
| Protection type/Protection class | IP20 / I (earthed) |
| Approvals | UL File No. E234324, EAC VDE only: 230 V |
| HVL 031 only: | |
| Axial fan, ball bearing | airflow see table service life 50,000 h at +25 °C (+77 °F) |
| Connection (axial fan) | 2-pole screw connector 2.5 mm ² (L2/N2) |



Important note: Heater may only be operated together with fan.
Danger of overheating!

| Art. No. HV 031 AC 230 V, 50/60 Hz | Art. No. HV 031 AC 120 V, 50/60 Hz | Heating capacity | Recommended pre-fuse T (time-delay) | | Dimensions | Weight (approx.) |
|---------------------------------------|---------------------------------------|------------------|-------------------------------------|----------|-------------------|------------------|
| | | | AC 230 V | AC 120 V | | |
| 03100.0-00 | 03100.9-00 | 100 W | 1.0 A | 2.0 A | 80 x 112 x 22 mm | 0.4 kg |
| 03101.0-00 | 03101.9-00 | 150 W | 1.25 A | 2.5 A | 80 x 112 x 22 mm | 0.4 kg |
| 03110.0-00 | 03110.9-00 | 200 W | 2.0 A | 3.0 A | 119 x 151 x 22 mm | 0.5 kg |
| 03111.0-00 | 03111.9-00 | 300 W | 2.0 A | 4.0 A | 119 x 151 x 22 mm | 0.5 kg |
| 03112.0-00 | 03112.9-00 | 400 W | 4.0 A | 6.3 A | 119 x 151 x 22 mm | 0.5 kg |

| Art. No. HVL 031 AC 230 V, 50/60 Hz | Art. No. HVL 031 AC 120 V, 50/60 Hz | Heating capacity | Recommended pre-fuse T (time-delay) | | Airflow min., free flow | Dimensions | Weight (approx.) |
|--|--|------------------|-------------------------------------|----------|-------------------------|-------------------|------------------|
| | | | AC 230 V | AC 120 V | | | |
| 03102.0-00 | 03102.9-00 | 100 W | 1.0 A | 2.0 A | 35 m ³ /h | 80 x 112 x 53 mm | 0.6 kg |
| 03103.0-00 | 03103.9-00 | 150 W | 1.25 A | 2.5 A | 35 m ³ /h | 80 x 112 x 53 mm | 0.6 kg |
| 03113.0-00 | 03113.9-00 | 200 W | 2.0 A | 3.0 A | 108 m ³ /h | 119 x 151 x 57 mm | 0.9 kg |
| 03114.0-00 | 03114.9-00 | 300 W | 2.0 A | 4.0 A | 108 m ³ /h | 119 x 151 x 57 mm | 0.9 kg |
| 03115.0-00 | 03115.9-00 | 400 W | 4.0 A | 6.3 A | 108 m ³ /h | 119 x 151 x 57 mm | 0.9 kg |