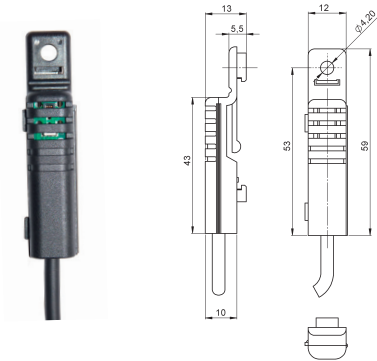


**DIGITAL PLUG & CONNECT SENSORS SEN 073 FOR SENSOR HUB SHC 071**

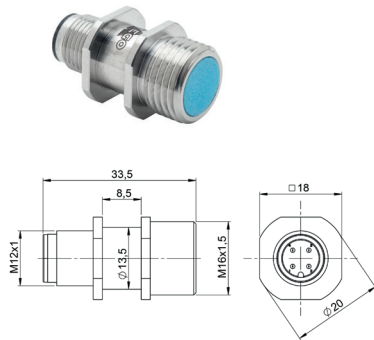
The sensors for the SHC 071 Sensor Hub must be ordered separately. The digital sensors listed below are the current range of Plug & Connect compatible components for the Sensor Hub. All these sensors are pre-calibrated and thus immediately ready for use; individual calibration effort is not required. Due to their small dimensions and customizable cable lengths, they can be flexibly positioned and easily mounted. A mounting clip is included in the scope of delivery for each sensor.



**TECHNICAL DATA**

<b>Mounting</b>	clip for 35 mm DIN rail, EN 60715 and screw mounting (M4)
<b>Casing</b>	plastic according to UL94 V-0, black
<b>Dimensions/Weight</b>	59 x 12 x 13 mm
<b>Fitting position</b>	variable
<b>Response time T<sub>63</sub></b>	temperature: < 1,5 min, humidity: < 7 s
<b>Operating/Storage temperature</b>	-40 to +85 °C (-40 to +185 °F)
<b>Operating/Storage humidity</b>	100 % RH / max. 90 % RH (non-condensing)
<b>Operating altitude</b>	≤ 4,000 m above sea level
<b>Protection type</b>	IP20

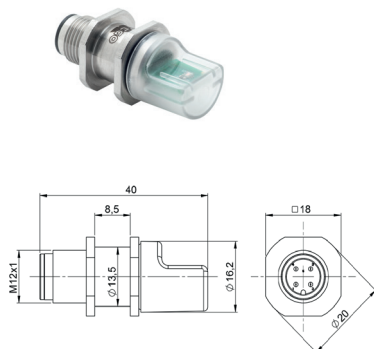
Art. No.	Sensor	Connection	Measuring range 1	Measuring range 2	Weight (approx.)
07300.1-00	Temperature + rel. Humidity	cable with connector, shielded, 1.0 m	-40 to +80 °C (-40 to +176 °F) ±0.2 K	0 to 100 % RH ±2 %	40 g
07300.1-01	Temperature + rel. Humidity	cable with connector, shielded, 2.0 m	-40 to +80 °C (-40 to +176 °F) ±0.2 K	0 to 100 % RH ±2 %	70 g



**TECHNICAL DATA**

<b>Mounting</b>	incl. mounting clip for screw mounting, Ø 3 mm, see photo
<b>Casing</b>	stainless steel
<b>Dimensions/Weight</b>	33.5 x Ø 20 mm / approx. 25 g
<b>Fitting position</b>	variable
<b>Connection</b>	M12 plug IEC 61076-2-101, 4-pin, A-coded
<b>Operating/Storage humidity</b>	100 % RH / max. 90 % RH (non-condensing)
<b>Operating altitude</b>	≤ 4,000 m above sea level
<b>Protection type</b>	IP64
<b>Note</b>	Max. two of the four ports can be assigned with VOC sensors

Art. No.	Sensor	Operating/Storage temperature	Measuring range 1	Measuring range 2	Response time T <sub>63</sub>
07300.0-00	Temperature + relative Humidity	-40 to +70 °C (-40 to +158 °F) / -40 to +85 °C (-40 to +185 °F)	0 to 100 % RH ±2 %	0 to 100 % rF ± 2 %	temperature: < 2 min, humidity: < 20 s
07301.0-00	Absolute atmospheric pressure + temperature	-40 to +70 °C (-40 to +158 °F) / -40 to +85 °C (-40 to +185 °F)	300 to 1100 hPa	-40 to +70 °C (-40 to +158 °F)	absolute atmospheric pressure: < 5 s, temperature: < 2,5 min
07303.0-00	Air quality + temperature	-10 to +50 °C (-10 to +122 °F) / -5 to +30 °C (-41 to +86 °F)	VOC-Index: 0 - 500	-10 to +50 °C	air quality: < 10 s temperature: < 2,5 min



**TECHNICAL DATA**

<b>Mounting</b>	incl. mounting clip for screw mounting, Ø 3 mm, see photo
<b>Casing</b>	stainless steel
<b>Dimensions/Weight</b>	40 x Ø 20 mm / approx. 25 g
<b>Fitting position</b>	variable
<b>Operating/Storage temperature</b>	-40 to +85 °C (-40 to +185 °F)
<b>Operating/Storage humidity</b>	100 % RH / max. 90 % RH (non-condensing)
<b>Operating altitude</b>	≤ 4,000 m above sea level
<b>Note</b>	IP65



Photo: Mounting clip for screw mounting, Ø 3 mm (included)

Art. No.	Sensor	Connection	Measuring range	Relative accuracy	Response time T <sub>63</sub>
07302.0-00	Visible light	M12 plug IEC 61076-2-101, 4-pin, A-coded	0,01 to 83.865 lx	0,2 %	< 7 s