

General Specifications

Motor Protection:

Auto Restart/Polarity Protection

Insulation Resistance:

10M Ω or over with a DC500V Megger

Dielectric Withstand Voltage:

AC 700V 1s or AC 500V 1min

Allowable Ambient Temperature Range:

-10°C ~ +60°C (Operating)

-40°C ~ +70°C (Storage)

(non-condensing environment)

Expected Life

Failure Rate: 10%

25°C 100,000 Hours

Material

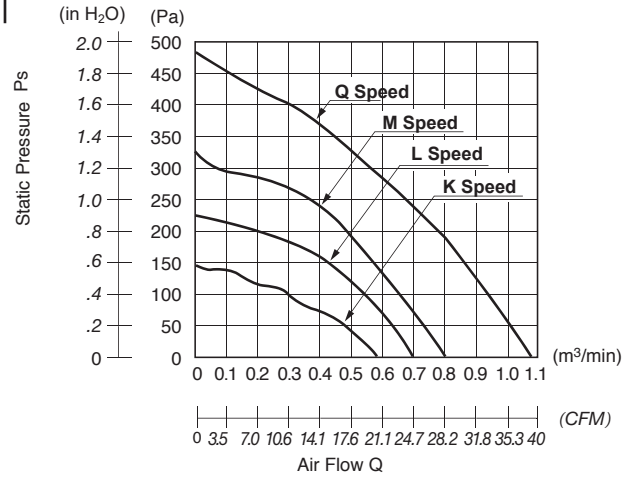
Casing : Plastic (Black) UL94V-0

Impeller : Plastic (Black) UL94V-0

Bearing : Ball Bearing

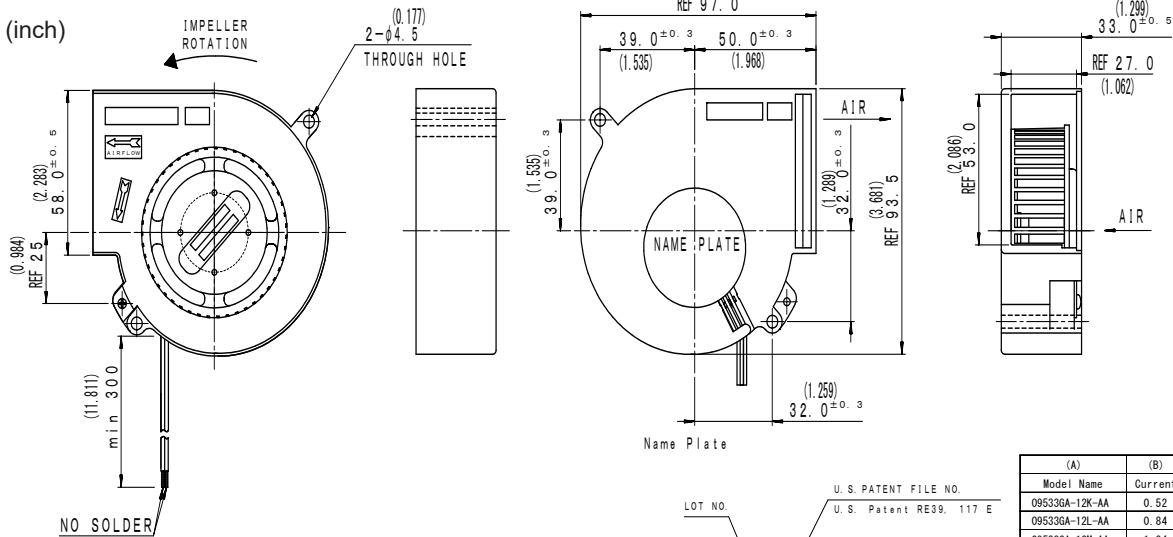
Lead Wire : UL1007, AWG26, +Red, -Black

Characteristic Curves



Outline

Unit: mm (inch)



U.S. PATENT FILE NO. U.S. Patent RE39,117 E

FACTORY ID: 7-CHINA
C: JAPAN
U: CAMBODIA

| | (A) | (B) |
|----------------|---------|-----|
| Model Name | Current | |
| 09533GA-12K-AA | 0.52 | |
| 09533GA-12L-AA | 0.84 | |
| 09533GA-12M-AA | 1.34 | |
| 09533GA-12Q-AA | 2.10 | |

LOT NO. U.S. PATENT FILE NO. U.S. Patent RE39,117 E

MODEL (A) (B) A

MADE IN (A) (B) BLACK

CE MARK CHINA or JAPAN or CAMBODIA

VDE MARK cULus MARK

Specifications

| MODEL | Rated Voltage | Operating Voltage | Current | Input Power | Speed | Max. Air Flow | | Max. Static Pressure | | Noise | Mass |
|-------------------|---------------|-------------------|-------------------|-------------------|------------------------------------|---------------|-----------------------|-----------------------|------|--------------------|------|
| | (V) | (V) | (A) ^{*1} | (W) ^{*1} | (min ⁻¹) ^{*1} | (CFM) | (m ³ /min) | (in H ₂ O) | (Pa) | (dB) ^{*1} | (g) |
| 09533GA-12K-AA-00 | 12 | 6.0 ~ 13.8 | 0.40 | 4.80 | 2700 | 20.48 | 0.58 | 0.61 | 152 | 47.5 | 210 |
| 09533GA-12L-AA-00 | 12 | 6.0 ~ 13.8 | 0.64 | 7.68 | 3200 | 24.72 | 0.70 | 0.90 | 225 | 51.5 | 210 |
| 09533GA-12M-AA-00 | 12 | 6.0 ~ 12.6 | 1.03 | 12.36 | 3700 | 28.60 | 0.81 | 1.37 | 342 | 54.5 | 210 |
| 09533GA-12Q-AA-00 | 12 | 9.5 ~ 13.2 | 1.40 | 16.80 | 5200 | 38.14 | 1.08 | 1.89 | 470 | 61.0 | 210 |

*1: Average Values in Free Air

Note: PWM/Locked Rotor/Tach Available