

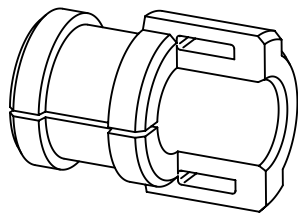
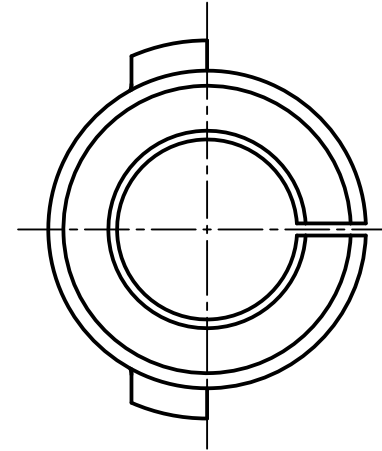
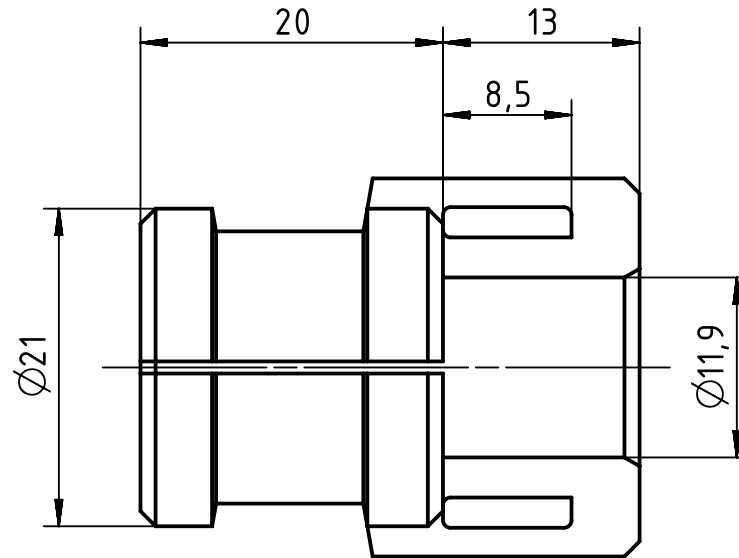
1 2 3 4 5 6

A

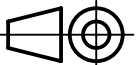

B

C

D



suitable cable  $\varnothing$  11-12mm

	All Dimensions in mm Original Size DIN A4		Scale 2:1	Free size tol.		Ref.		
						Sub.		
	All rights reserved		Created by DICK	Inspected by SCHNIEDER	Standardisation TIEMANNA	Date 2014-07-03	State Final Release	
	Department EL PD		Title Kabeldurchführungsstüle 11-12mm				Doc-Key / ECM-Nr. 100085387/UGD/003/A 500000076557	
HARTING Electric GmbH & Co. KG D-32339 Espelkamp			Type TB	Number 09 00 000 5359			Rev. A	Page 1/1