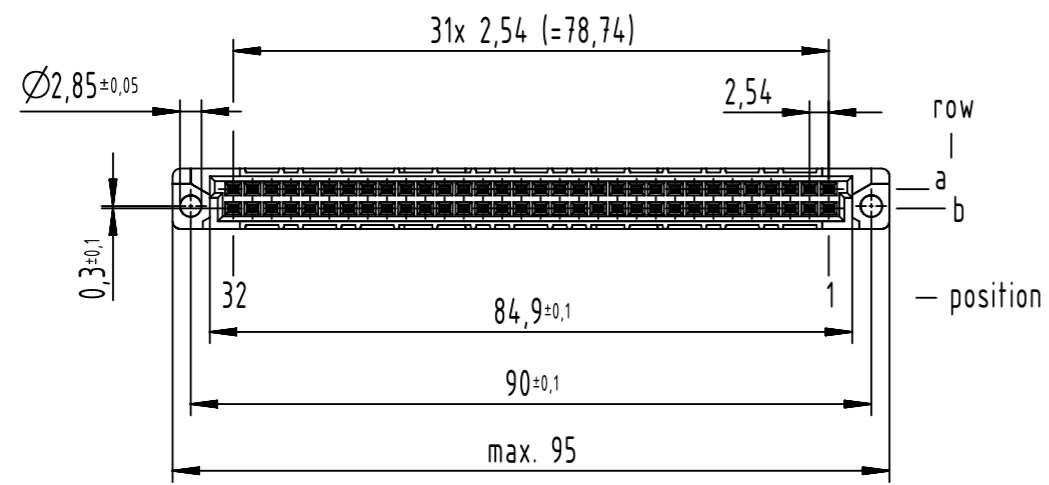
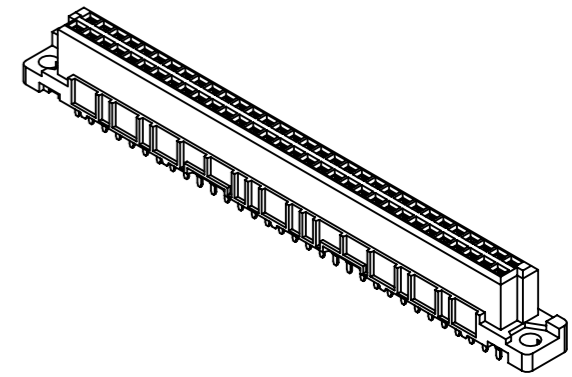
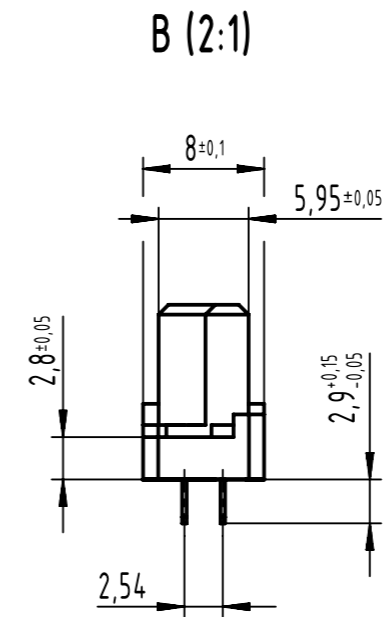
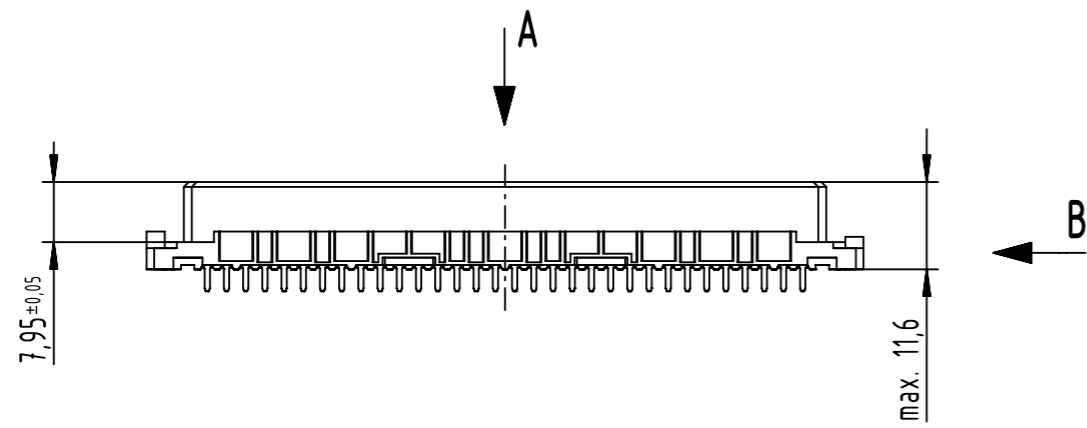


64 solder contacts  
 ☒ = position with contact  
 □ = position without contact



further information see product data sheet

09 02 264 6824	2
09 02 264 2824	1
<b>part no.</b>	<b>performance level</b>

All rights reserved Department EL PD HARTING D-32339 Espelkamp	All Dimensions in mm Original Size DIN A3	Scale 1:1	Free size tol. IEC 60603-2	Ref. Sub.	Created by 00103855	Inspected by STORCK	Standardisation	Date 2022-12-19	State Final Release	Doc-Key / ECM-Nr. 100179617/UGD/027/D 50000219640
	Title <b>DIN Signal type B female solder str 2.9 64-pole</b>	Type <b>TB</b>	Number <b>0902264X824</b>	Rev. <b>D</b>	Page 1/1					