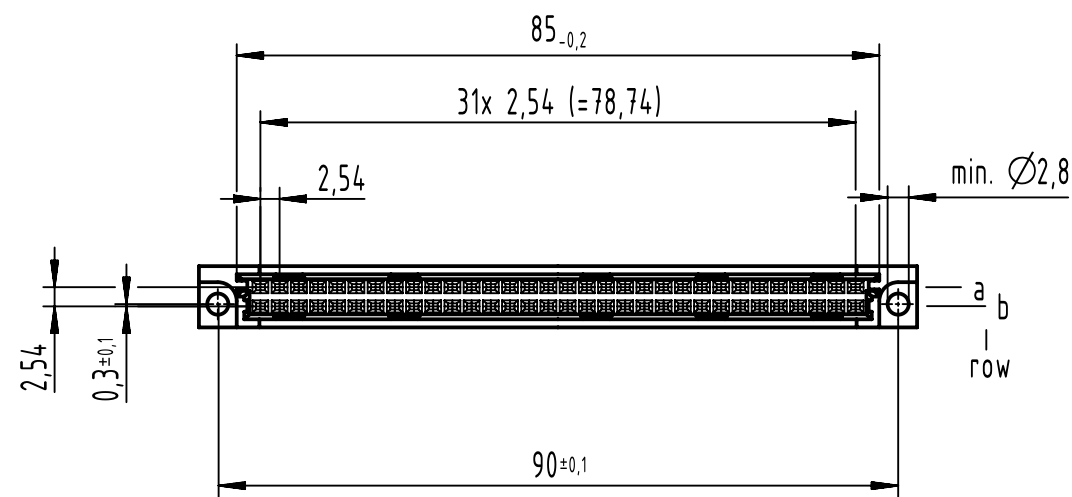
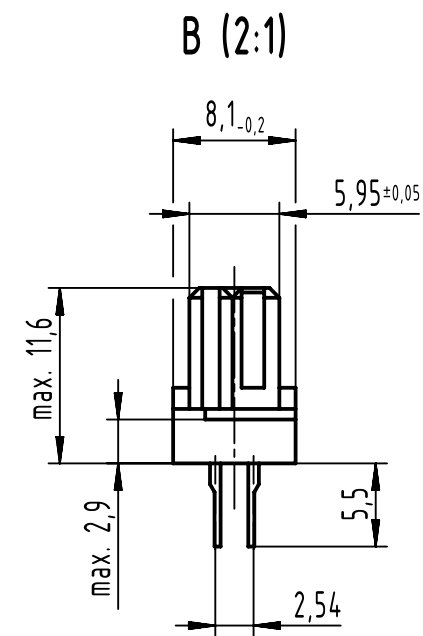
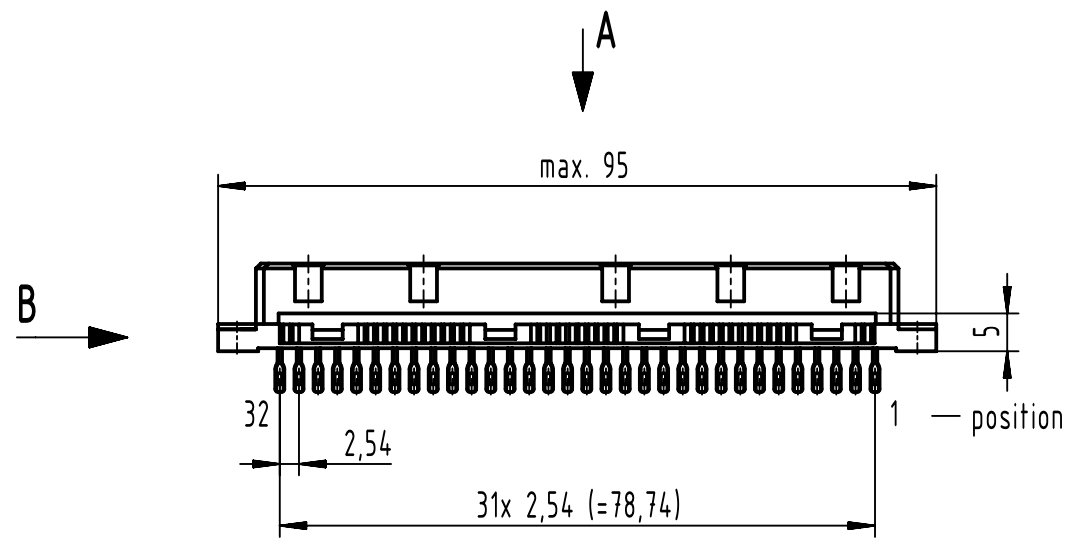


64 solder lug contacts

⊗ = position with solder lug 5.5mm

□ = position without contact



further information see product data sheet

09 02 264 6823	2
part no.	performance level

	All Dimensions in mm Original Size DIN A3		Scale 1:1	Free size tol. IEC 60603-2	Ref.
	All rights reserved Department EL PD		Created by 00103855	Inspected by STORCK	Standardisation
HARTING D-32339 Espelkamp		Title DIN Signal type B female solder lug 64-pole		Date 2022-11-29	State Final Release
		Type TB	Number 0902264X823	Doc-Key / ECM-Nr. 100083091/UGD/002/D 500000219063	Page 1/1