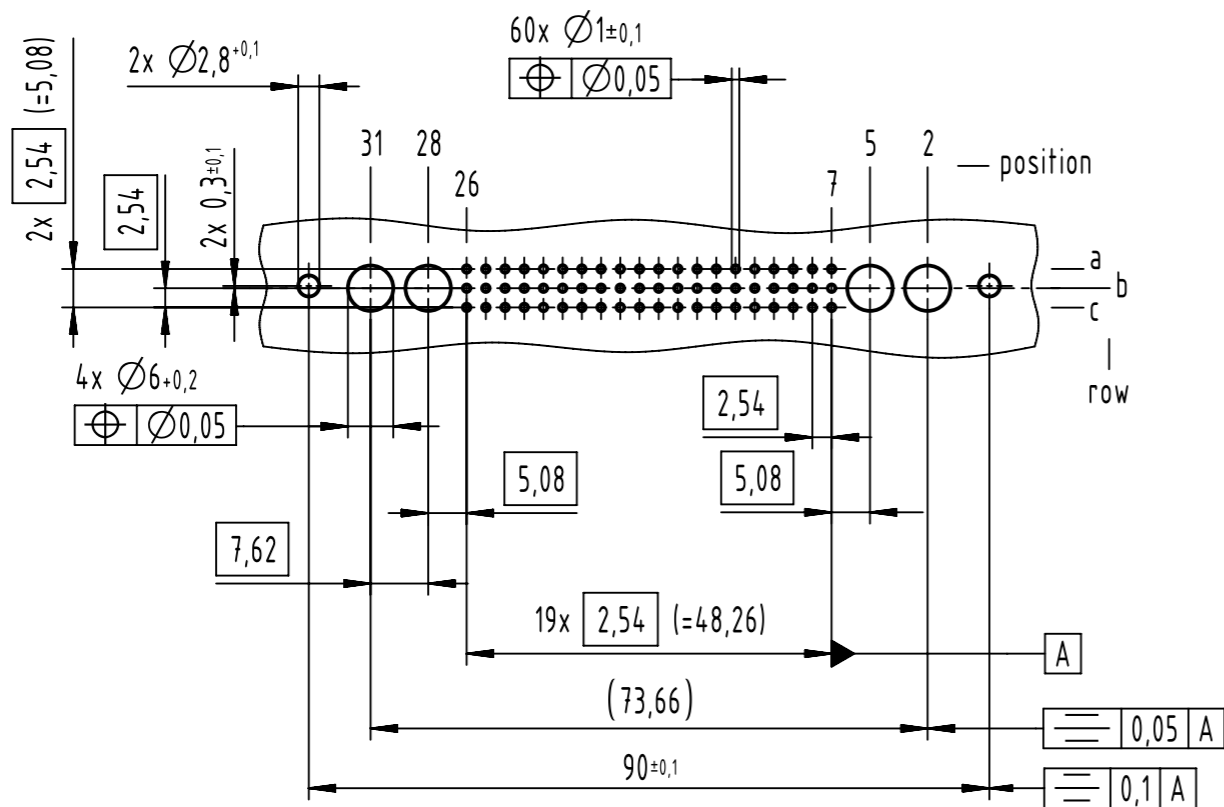
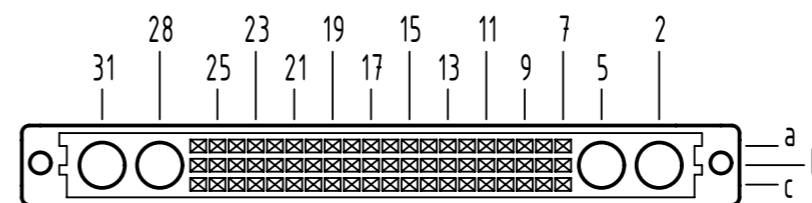


A  
board drillings



A  
contact arrangement

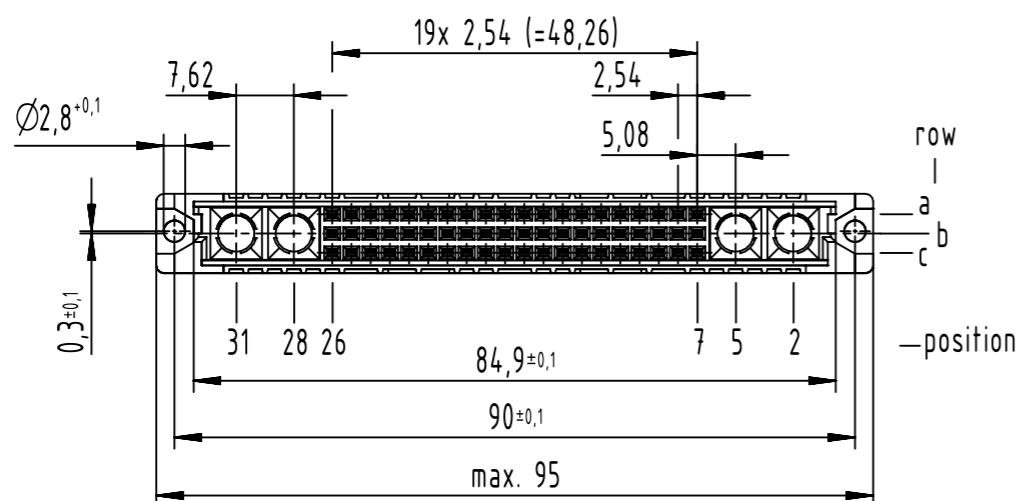
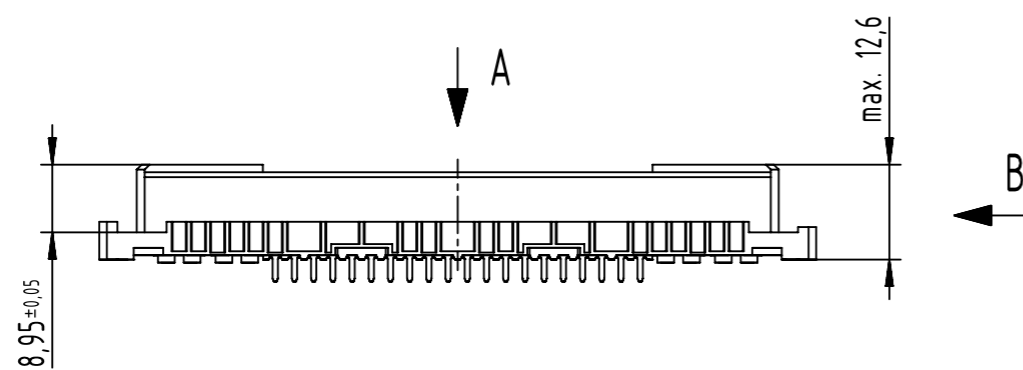
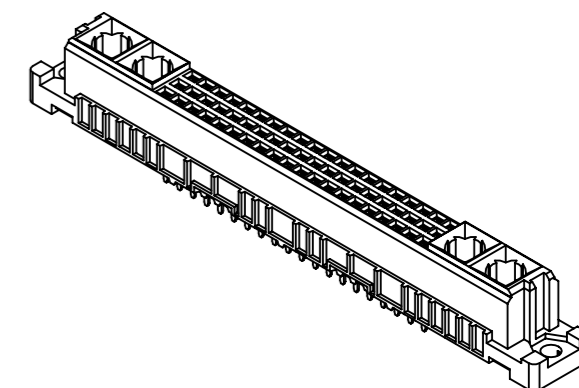
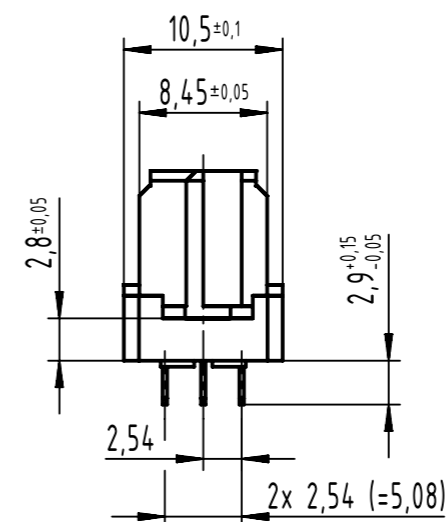


60 solder contacts

⊗ = solder contact

□ = position without contact

B (2:1)



further information see product data sheet

09 03 260 6804	2
09 03 260 2804	1
part no.	performance level

	All Dimensions in mm Original Size DIN A3	Scale 1:1	Free size tol. IEC 60603-2	Ref.
	All rights reserved Department EL PD	Created by STORCK	Inspected by LEHNERT	Standardisation
HARTING D-32339 Espelkamp	Title DIN Signal type M60+4 female solder 2.9 60-pole			Doc-Key / ECM-Nr. 100072218/UGD/053/E 500000202766
	Type TB	Number 0903260X804	Date 2021-09-22	State Final Release
				Rev. E
				Page 1/1