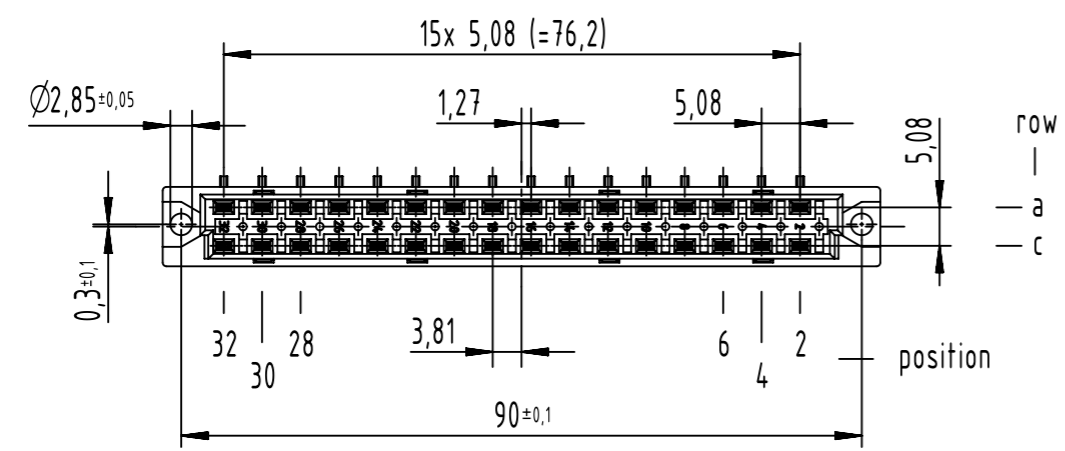
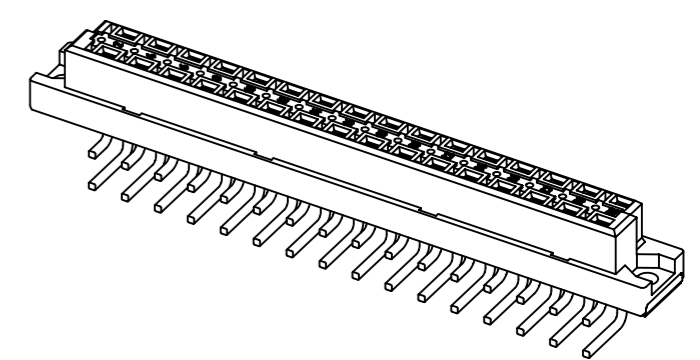
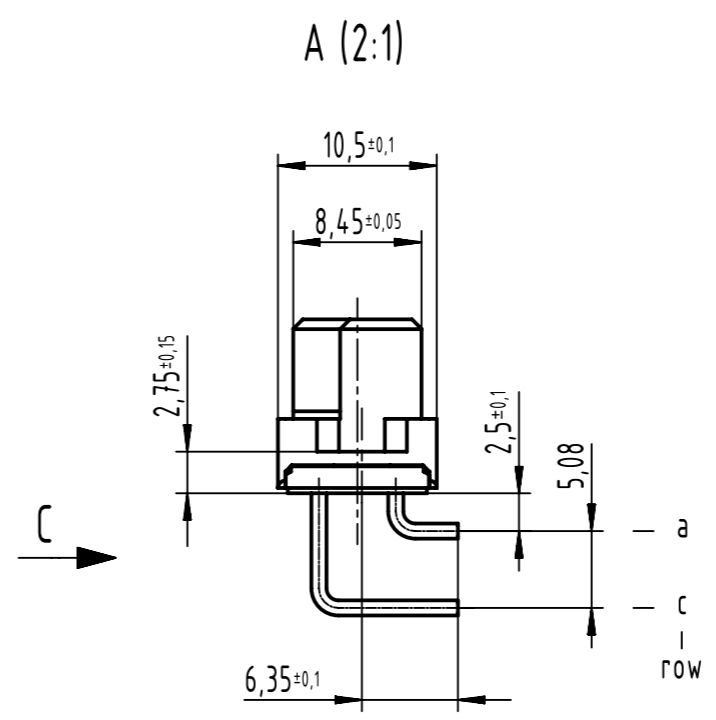
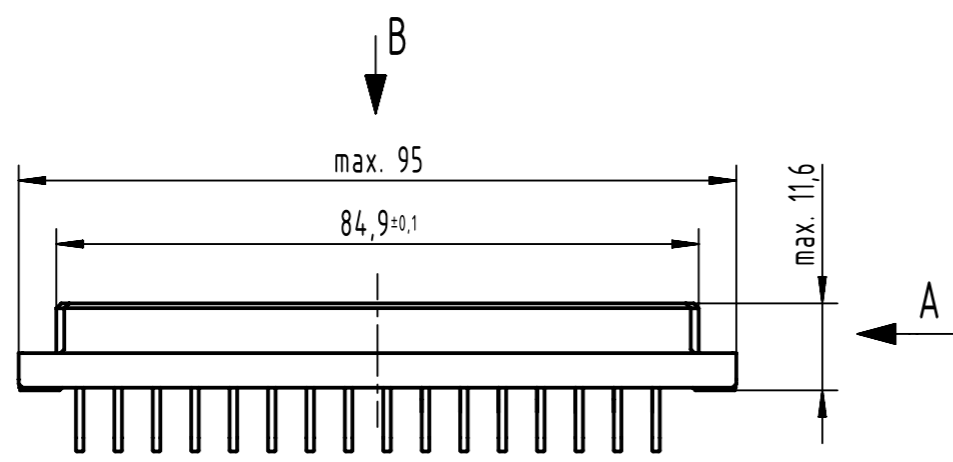


32 solder 1x1 - contacts
 ■ = position with contact
 □ = position without contact



further information see product data sheet

09 04 232 6826	2
09 04 232 2826	1
part no.	performance level

	All Dimensions in mm Original Size DIN A3		Scale 1:1	Free size tol. IEC 60603-2		Ref.	
	All rights reserved Department EL PD		Created by BUSSMANN	Inspected by STORCK	Standardisation	Date 2023-08-24	State Final Release
HARTING D-32339 Espelkamp		Title DIN Power type D female solder 1x1 angled 32-pole				Doc-Key / ECM-Nr. 100184615/UGD/025/D 50000251116	
		Type TB	Number 0904232X826		Rev. D	Page 1/1	