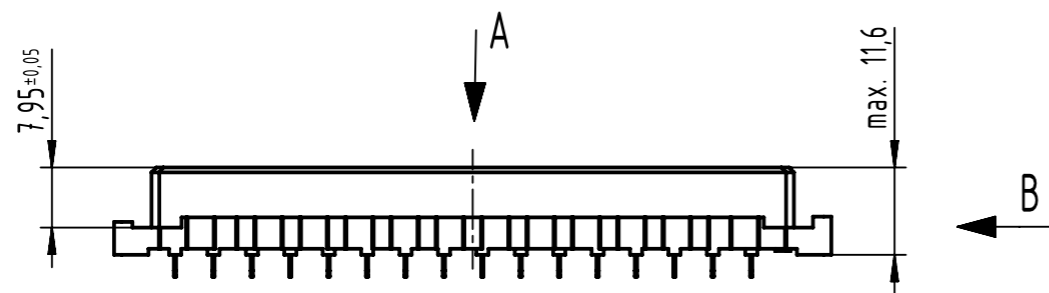


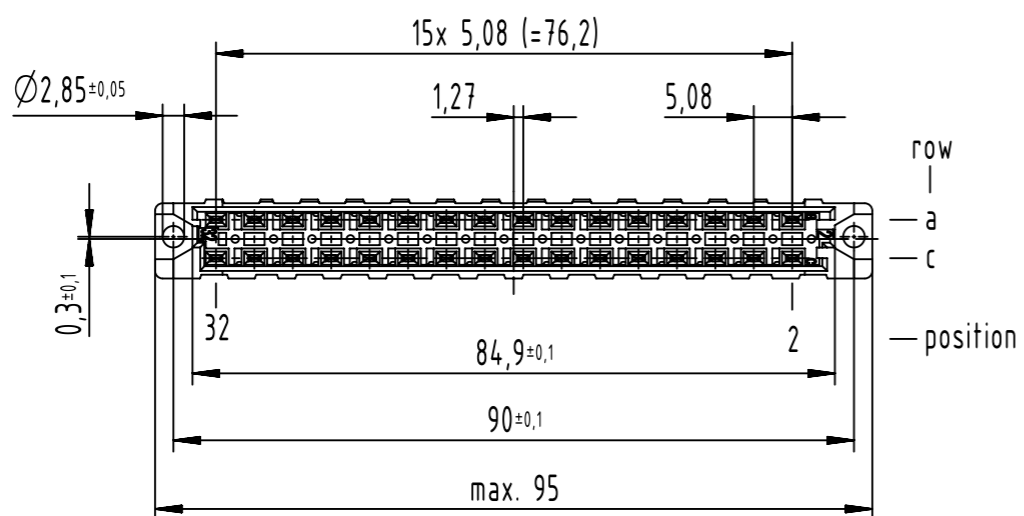
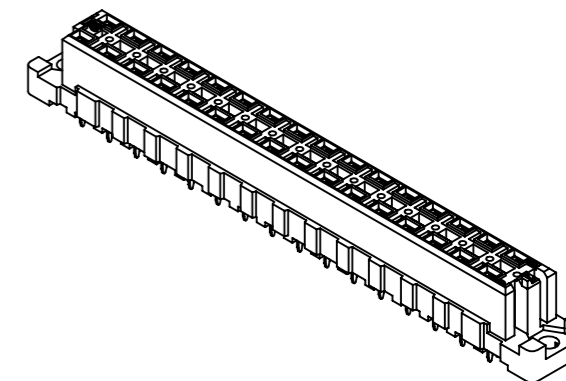
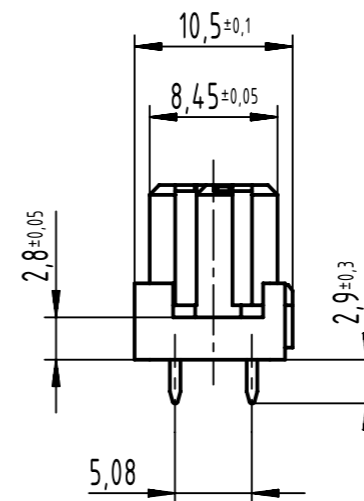
32 solder contacts

☒ = position with contact

☐ = position without contact



B (2:1)



further information see product data sheet

09 04 232 7832	3
09 04 232 6832	2
09 04 232 2832	1
part no.	performance level

	All Dimensions in mm Original Size DIN A3	Scale 1:1	Free size tol. IEC 60603-2	Ref.
	All rights reserved Department EL PD	Created by BUSSMANN	Inspected by STORCK	Standardisation
HARTING D-32339 Espelkamp	Title DIN Power type D female solder 2.9 32-pole			Doc-Key / ECM-Nr. 100217573/UGD/011/D 500000251116
	Type TB	Number 0904232X832	Date 2023-08-24	State Final Release
				Rev. D Page 1/1