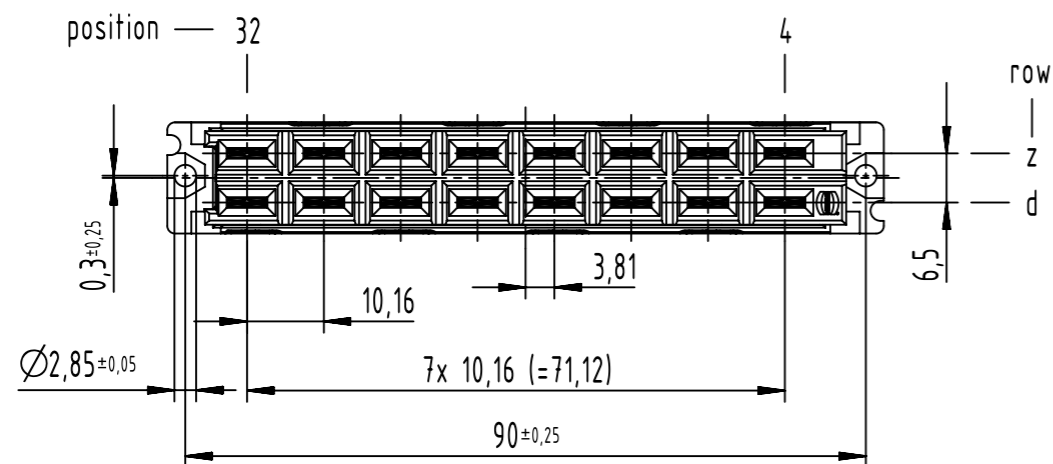
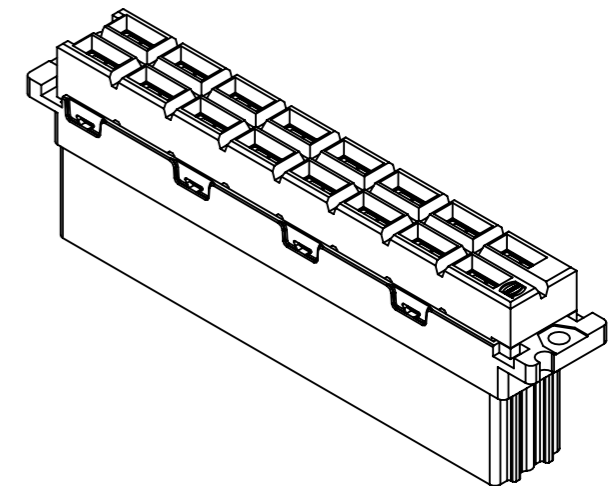
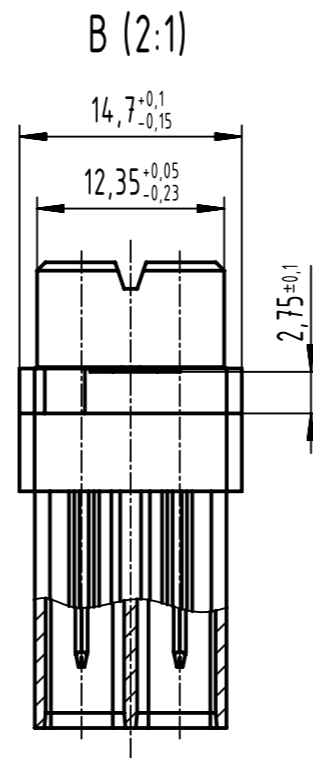
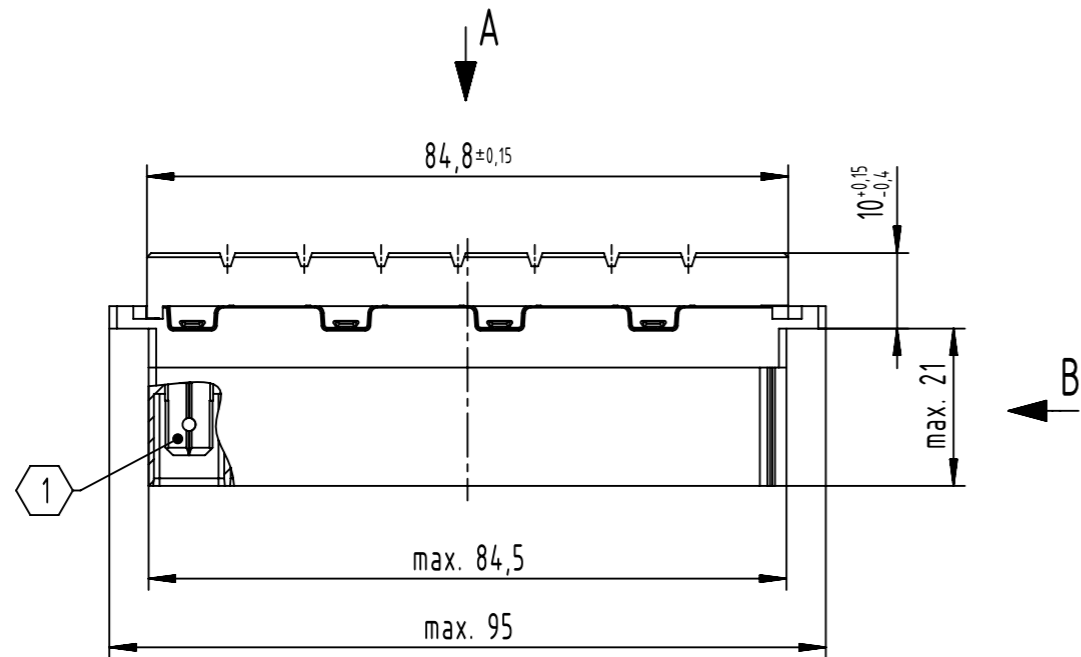


⊠ = position with contact

□ = position without contact



further information see product data sheet

contact surface Ag

⊠ for faston 6,3x0,8 female contact
acc. to DIN 46245 and DIN 46247

	All rights reserved	Created by STORCK	Inspected by LEHNERT	Standardisation SAP_WFRT	Date 2022-03-04	State Final Release
	Department EL PD	Title DIN Power type H16 female faston along			Doc-Key / ECM-Nr. 100205483/UGD/010/B 500000213140	
HARTING D-32339 Espelkamp	Type TB	Number 09062162411			Rev. B	Page 1/1