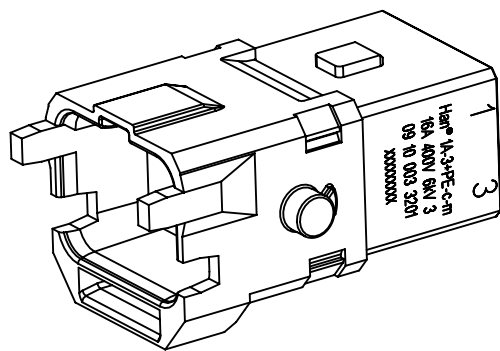
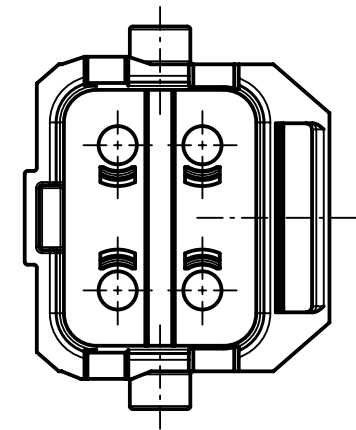
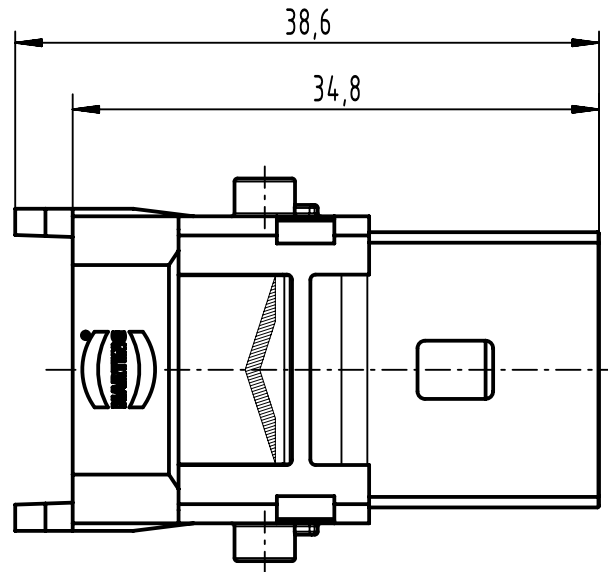
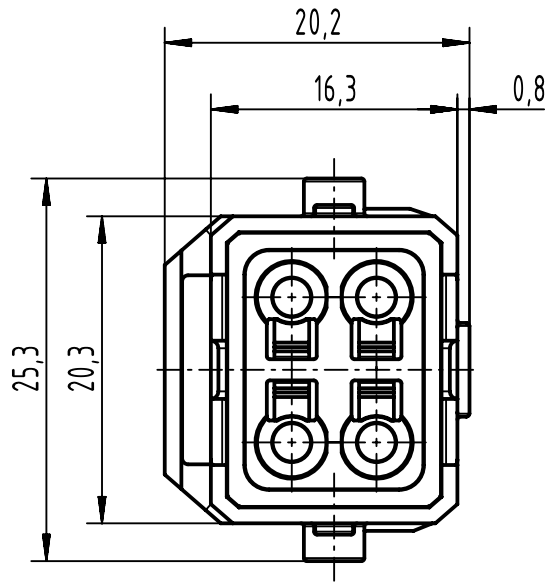


A

B

C

D



	All Dimensions in mm Original Size DIN A4		Scale 2:1	Free size tol.		Ref.
			Created by 00103428	Inspected by HERBRECHTSME	Standardisation	Sub.
All rights reserved Department EL PD		Title Han 1A-3+PE-C-m latch		Date 2021-07-27	State Final Release	
HARTING D-32339 Espelkamp		Type TB		Number 09 10 003 3201		Doc-Key / ECM-Nr. 100760746/UGD/001/F 500000196013
					Rev. F	Page 1/1